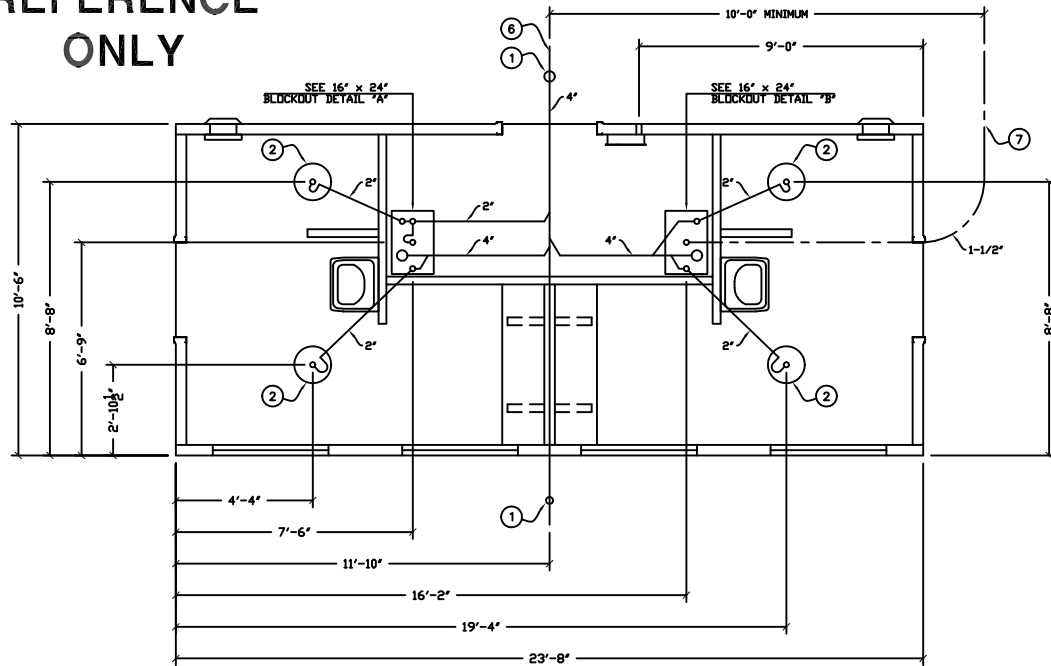
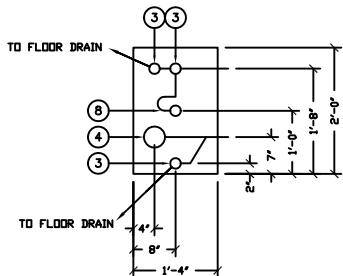


**FOR
REFERENCE
ONLY**

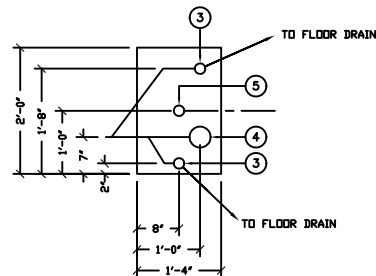
ALL PIPING INDICATED ON
THIS SHEET IS NOT BY CXT



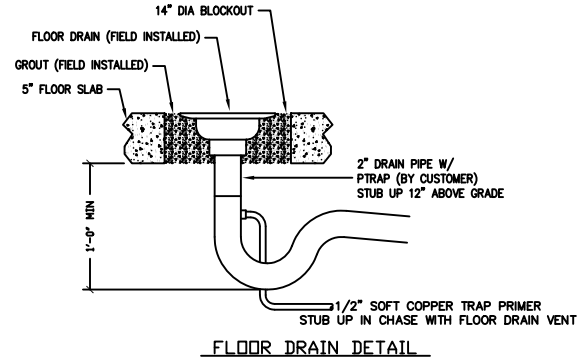
FLOOR DRAIN BLOCKOUTS & BELOW FLOOR PIPING
1/4"=1'-0"



16' x 24' BLOCKOUT DETAIL 'A'



16' x 24' BLOCKOUT DETAIL 'B'



FLOOR DRAIN DETAIL

BELOW FLOOR PIPING - KEY NOTES

1. 4" CLEAN OUT TO GRADE.
2. 2" FLOOR DRAIN, FIELD INSTALLED TRAP PRIMER SYSTEM IF REQUIRED BY AUTHORITY HAVING JURISDICTION. (14" DIA BLOCKOUT)
3. 2" VENT PIPES EXTENDED 12" ABOVE FINISHED FLOOR LEVEL, PROVIDE TEST PLUG. (16"x24" BLOCKOUT)
4. 4" WASTE PIPE EXTENDED 12" ABOVE FINISHED FLOOR LEVEL, PROVIDE TEST PLUG. (16"x24" BLOCKOUT)
5. 1 1/2" TYPE K ANNEALED "SOFT" COPPER WATER SERVICE EXTENDED 12" ABOVE FINISHED FLOOR LEVEL, PROVIDE CAP AT END. (16"x24" BLOCKOUT)
6. 30" MIN. BURY, PROVIDE TRACER TAPE.
7. MIN. BURY PER LOCAL REQUIREMENTS TO PROTECT FROM FREEZING AND DAMAGE.
8. 2" FLOOR DRAIN, FIELD INSTALLED TRAP PRIMER SYSTEM IF REQUIRED BY AUTHORITY HAVING JURISDICTION. (16"x24" BLOCKOUT)

PIPING LEGEND

- BELOW FLOOR WASTE PIPING
SCH 40 ABS
TYPE DWV
- 1 1/2" TYPE "K" ANNEALED "SOFT" COPPER WATER SERVICE
- - - - - BELOW FLOOR VENT PIPING
SCH 40 ABS
TYPE DWV

THIS DRAWING IS SUPPLIED FOR REFERENCE ONLY. PLEASE CONTACT CXT ENGINEERING DEPARTMENT FOR BUILDING SPECIFIC CONTROLLED DOCUMENTS PRIOR TO ANY FIELD WORK.

3808 N. Sullivan Bldg. #7 Spokane, WA 99216

 901 N. Highway 77 Hillboro, TX 75645

MANUFACTURED BY
TETON
 CXT STANDARD BUILDING

NOTICE
 The information contained herein is proprietary and the exclusive property of CXT Incorporated. The information may only be used by the original recipient for the purpose intended. Reproduction or distribution of this information is strictly prohibited without the prior written consent of CXT Incorporated. By utilizing use of this information, CXT Incorporated grants no warranty, express or implied, including a warranty of merchantability or of fitness for a particular purpose.

DATE	DESCRIPTION	BY
SCALE	DATE	FILE NO.
DRAWN	DRAWER	FILE NO.
CHECKED	PLOT	48

FLOOR DRAIN BLOCKOUTS & BELOW FLOOR PIPING

DWG NO. TT-19 SHEET REV.