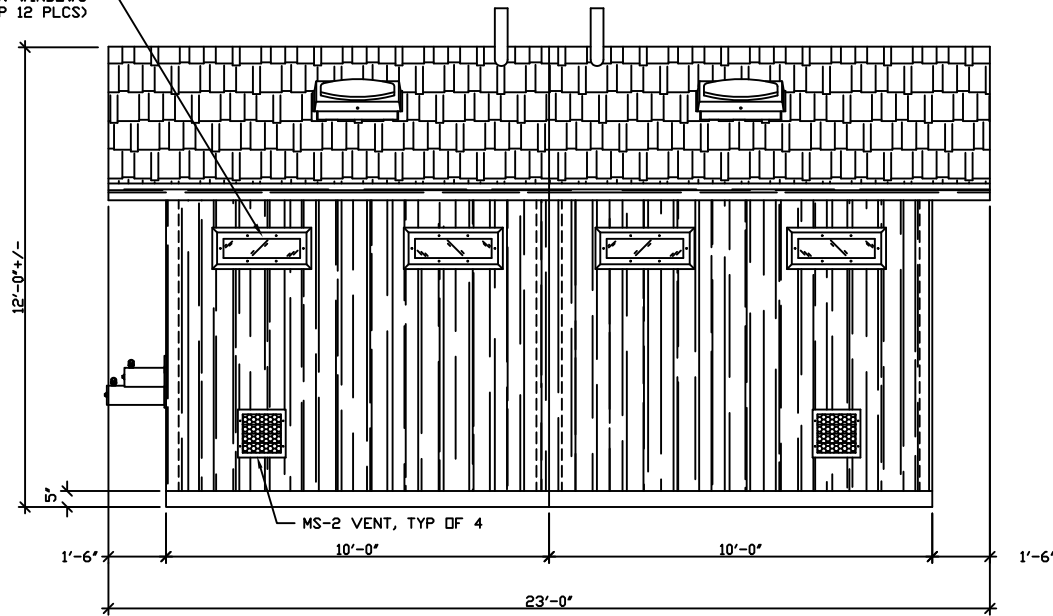


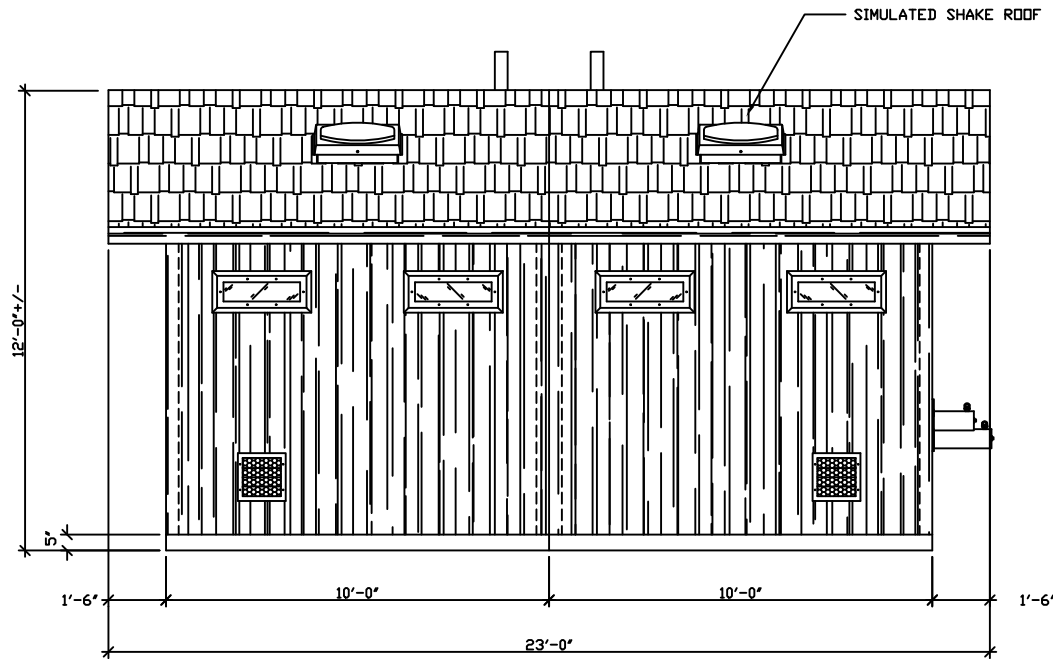
2'-4"x10' LEXAN WINDOWS
(TYP 12 PLCS)



RH SIDE ELEVATION

FOR
REFERENCE
ONLY

SIMULATED SHAKE ROOF



LH SIDE ELEVATION



PROJECT TITLE
TAOS
CXT STANDARD BUILDING

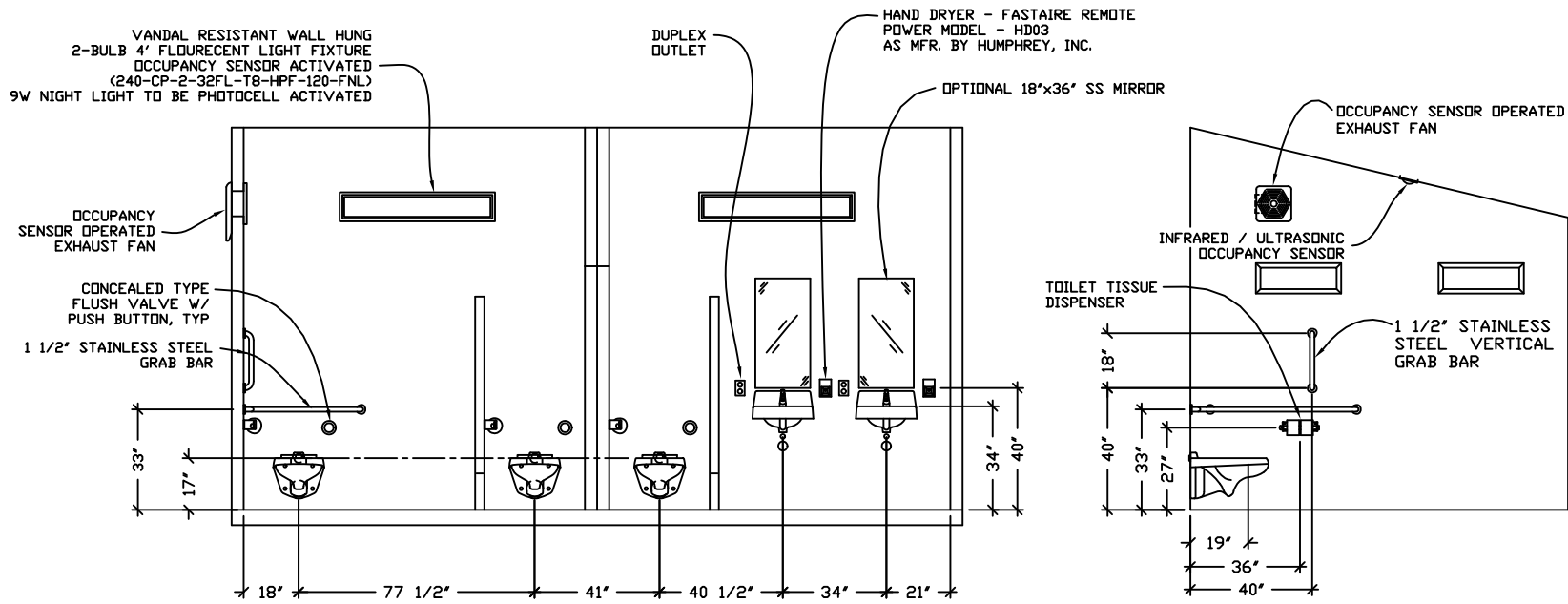
NOTICE
The information contained herein is proprietary and the exclusive property of CXT Incorporated. The information may only be used by the original recipient for the purpose intended. Reproduction or distribution of this information is strictly prohibited without the prior written consent of CXT Incorporated. By allowing use of this information, CXT Incorporated grants no warranty, express or implied, including a warranty of merchantability or of fitness for a particular purpose.

REV.	DESCRIPTION	APPROVAL	DATE

SCALE	1 3/8" = 1'-0"	DATE	03-28-05
DRAWN		FILE NO.	PD-TAOS
CHECKED		PLOT	32

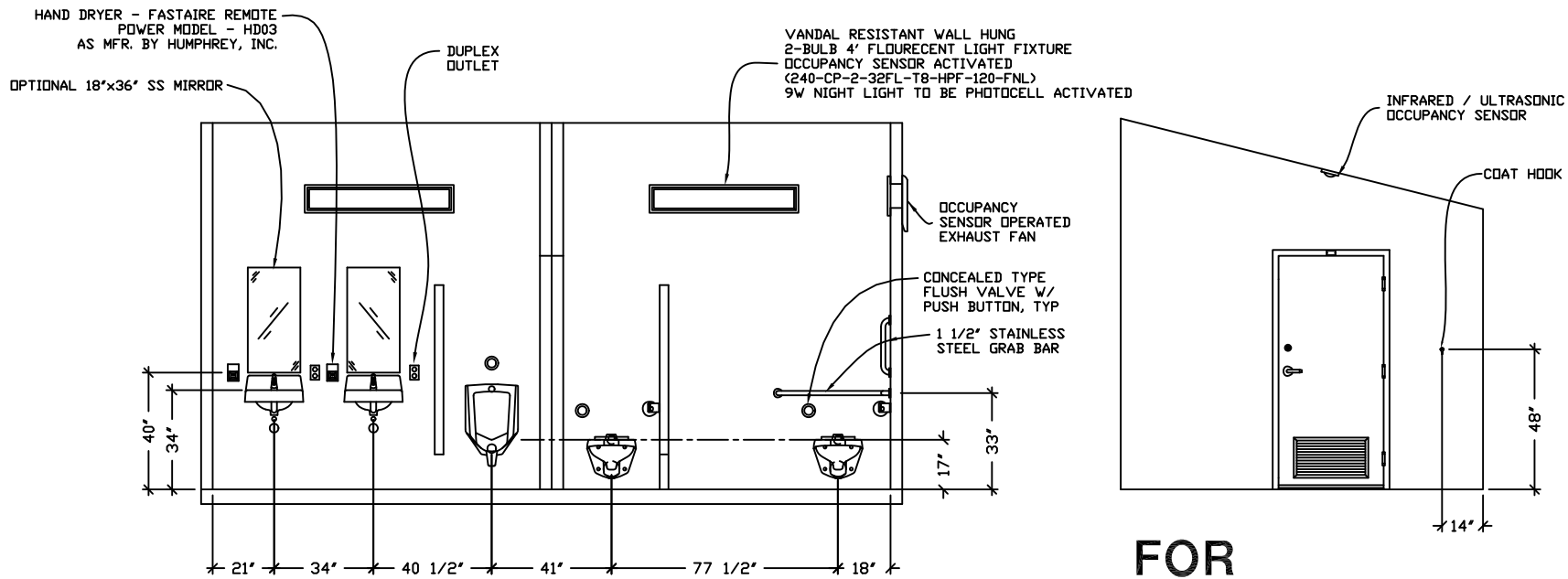
BUILDING ELEVATIONS

DWG NO.	SHEET	REV.
TA-05		



INTERIOR ELEVATION - WOMEN'S RESTROOM

INTERIOR ELEVATION - MEN'S RESTROOM
WOMENS OPPOSITE HAND



INTERIOR ELEVATION - MEN'S RESTROOM

FOR
REFERENCE
ONLY



PROJECT TITLE
TAOS
CXT STANDARD BUILDING

NOTICE
The information contained herein is proprietary and the exclusive property of CXT Incorporated. The information may only be used by the original recipient for the purpose intended. Reproduction or distribution of this information is strictly prohibited without the prior written consent of CXT Incorporated. By allowing use of this information, CXT Incorporated grants no warranty, express or implied, including a warranty of merchantability or of fitness for a particular purpose.

CXT Incorporated

DATE	DESCRIPTION	APPROVAL	DATE
SCALE	1/8" = 1'-0"	DATE	03-28-05
DRAWN		FILE NO.	PD-TA06
CHECKED		PLOT	32

INTERIOR ELEVATIONS

DWG NO.	SHEET	REV.
TA-06		