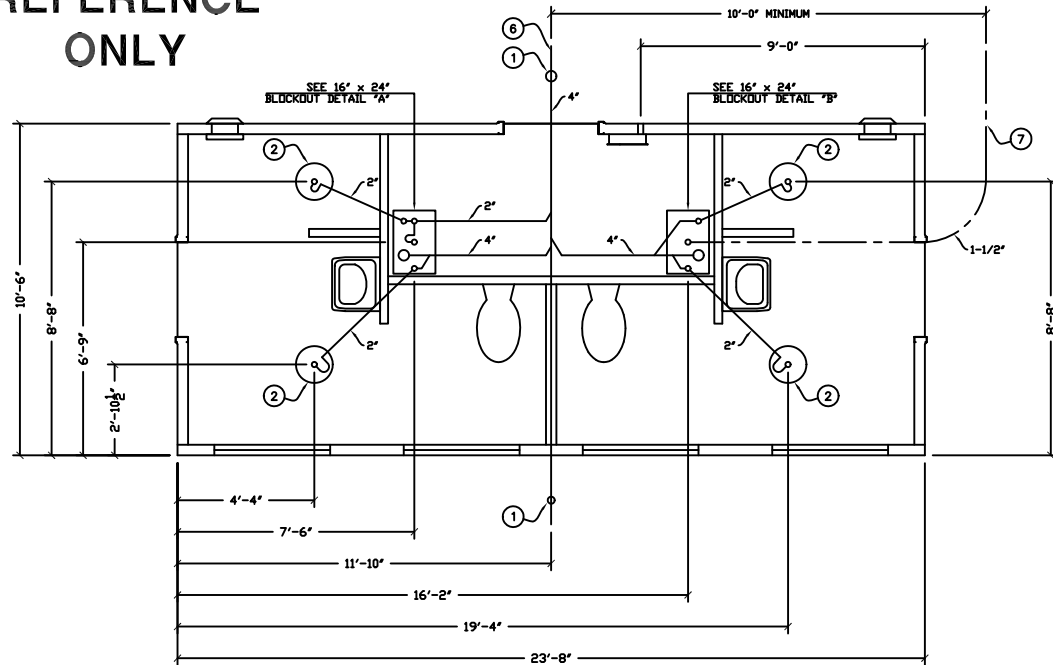
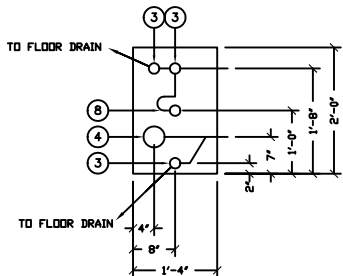


**FOR
REFERENCE
ONLY**

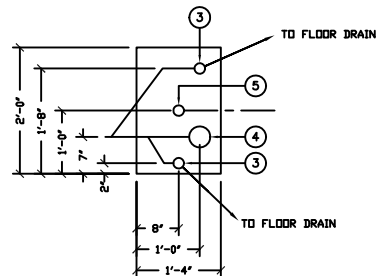
ALL PIPING INDICATED ON
THIS SHEET IS NOT BY CXT



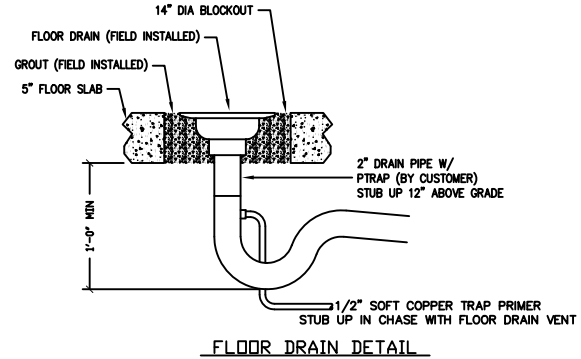
FLOOR DRAIN BLOCKOUTS & BELOW FLOOR PIPING
1/4"=1'-0"



16' x 24' BLOCKOUT DETAIL 'A'



16' x 24' BLOCKOUT DETAIL 'B'



FLOOR DRAIN DETAIL

BELOW FLOOR PIPING - KEY NOTES

1. 4" CLEAN OUT TO GRADE.
2. 2" FLOOR DRAIN, FIELD INSTALLED TRAP PRIMER SYSTEM IF REQUIRED BY AUTHORITY HAVING JURISDICTION. (14" DIA BLOCKOUT)
3. 2" VENT PIPES EXTENDED 12" ABOVE FINISHED FLOOR LEVEL, PROVIDE TEST PLUG. (16"x24" BLOCKOUT)
4. 4" WASTE PIPE EXTENDED 12" ABOVE FINISHED FLOOR LEVEL, PROVIDE TEST PLUG. (16"x24" BLOCKOUT)
5. 1 1/2" TYPE K ANNEALED "SOFT" COPPER WATER SERVICE EXTENDED 12" ABOVE FINISHED FLOOR LEVEL, PROVIDE CAP AT END. (16"x24" BLOCKOUT)
6. 30" MIN. BURY, PROVIDE TRACER TAPE.
7. MIN. BURY PER LOCAL REQUIREMENTS TO PROTECT FROM FREEZING AND DAMAGE.
8. 2" FLOOR DRAIN, FIELD INSTALLED TRAP PRIMER SYSTEM IF REQUIRED BY AUTHORITY HAVING JURISDICTION. (16"x24" BLOCKOUT)

PIPING LEGEND

- BELOW FLOOR WASTE PIPING
SCH 40 ABS
TYPE DWV
- 1 1/2" TYPE "K" ANNEALED "SOFT" COPPER WATER SERVICE
- - - - - BELOW FLOOR VENT PIPING
SCH 40 ABS
TYPE DWV

THIS DRAWING IS SUPPLIED FOR
REFERENCE ONLY. PLEASE CONTACT
CXT ENGINEERING DEPARTMENT FOR
BUILDING SPECIFIC CONTROLLED
DOCUMENTS PRIOR TO ANY FIELD WORK.

3008 N. Sullivan Bldg. #7 Spokane, WA 99216
CXT
Precast Products
801 N. Highway 77 Hillsboro, TX 75645

RAINER
CXT STANDARD BUILDING

NOTICE
The information contained herein is proprietary and the exclusive property of CXT Incorporated. The information may only be used by the original recipient for the purpose intended. Reproduction or distribution of this information is strictly prohibited without the prior written consent of CXT Incorporated. By using any of this information, CXT Incorporated grants no warranty, express or implied, including a warranty of merchantability or of fitness for a particular purpose.

DATE	DESCRIPTION	BY	APP'D
SCALE	1/4"=1'-0"	DATE	02-11-08
DRAWN	D BRESLER	FILE NO.	PD-RN19
CHECKED		PLOT	48

**FLOOR DRAIN BLOCKOUTS
& BELOW FLOOR PIPING**

DWG NO. **RN-19** SHEET **1** REV.