

FOR  
REFERENCE  
ONLY

3808 N. Sullivan Bldg. #7 Spokane, WA 99216



Precast Products  
901 N. Highway 77 Hillsboro, TX 78645

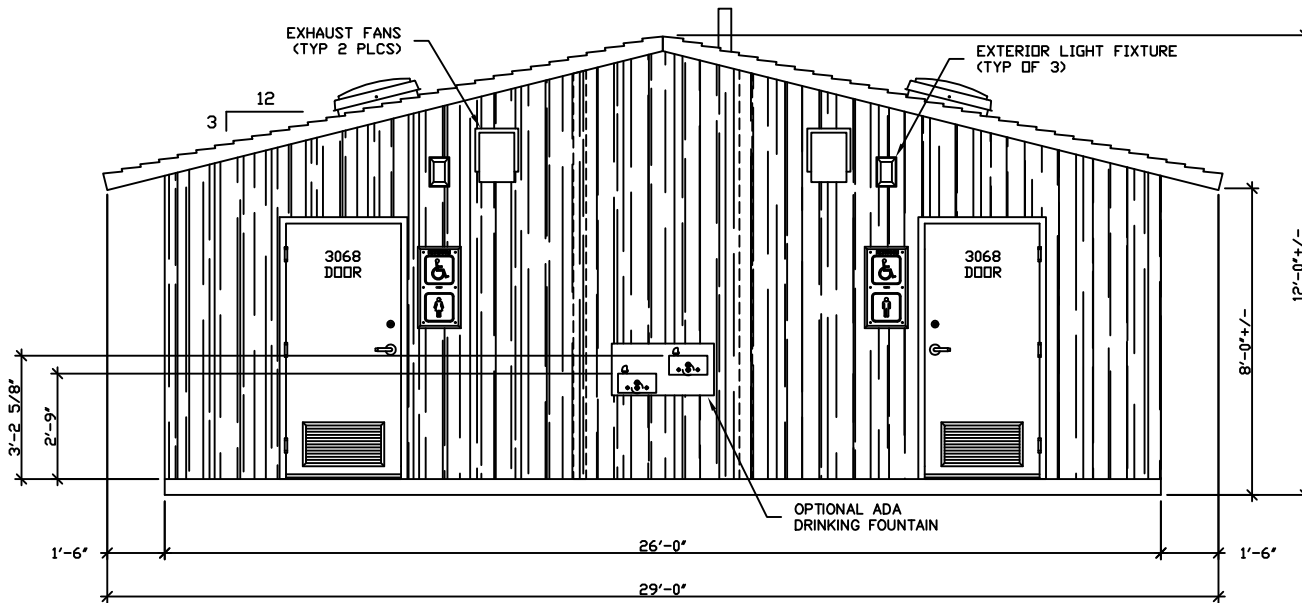
POWONA  
CXT STANDARD BUILDING

**NOTICE**  
The information contained herein is proprietary and the exclusive property of CXT Incorporated. The information may only be used by the original recipient for the purpose intended. Reproduction or distribution of this information is strictly prohibited without the prior written consent of CXT Incorporated. By viewing use of this information, CXT Incorporated grants no warranty, express or implied, including a warranty of merchantability or of fitness for a particular purpose.

NO.	DESCRIPTION	DATE	BY

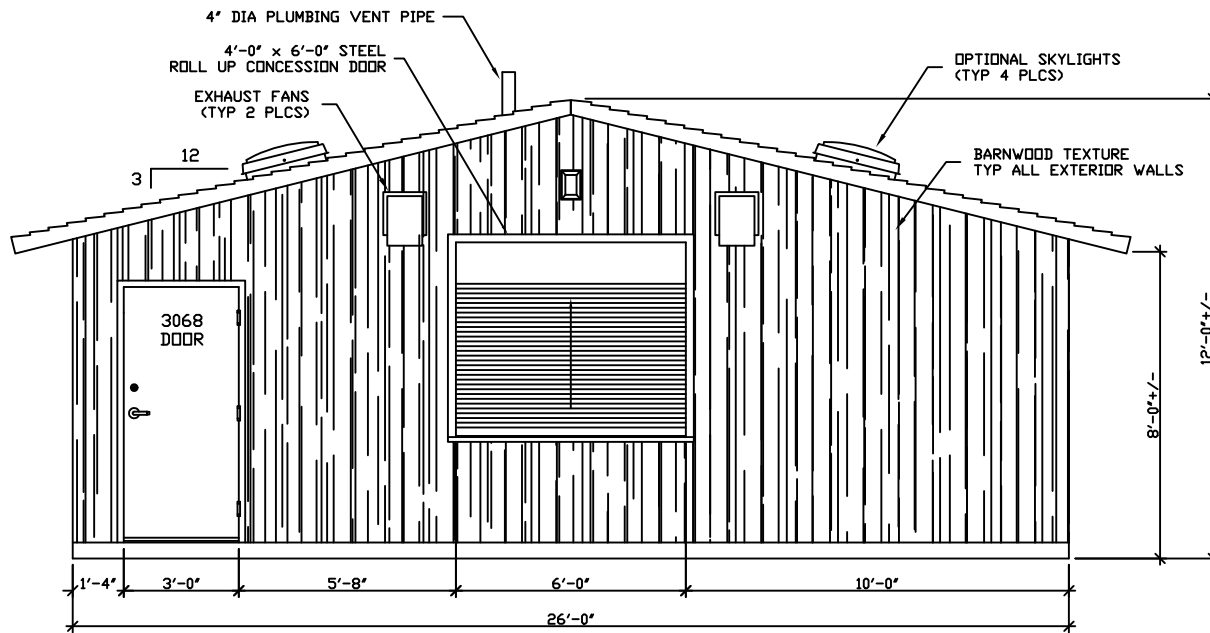
**FLOOR PLAN**

DWG NO. **PM-03** SHEET **REV.**



FRONT ELEVATION

FOR  
REFERENCE  
ONLY



REAR ELEVATION



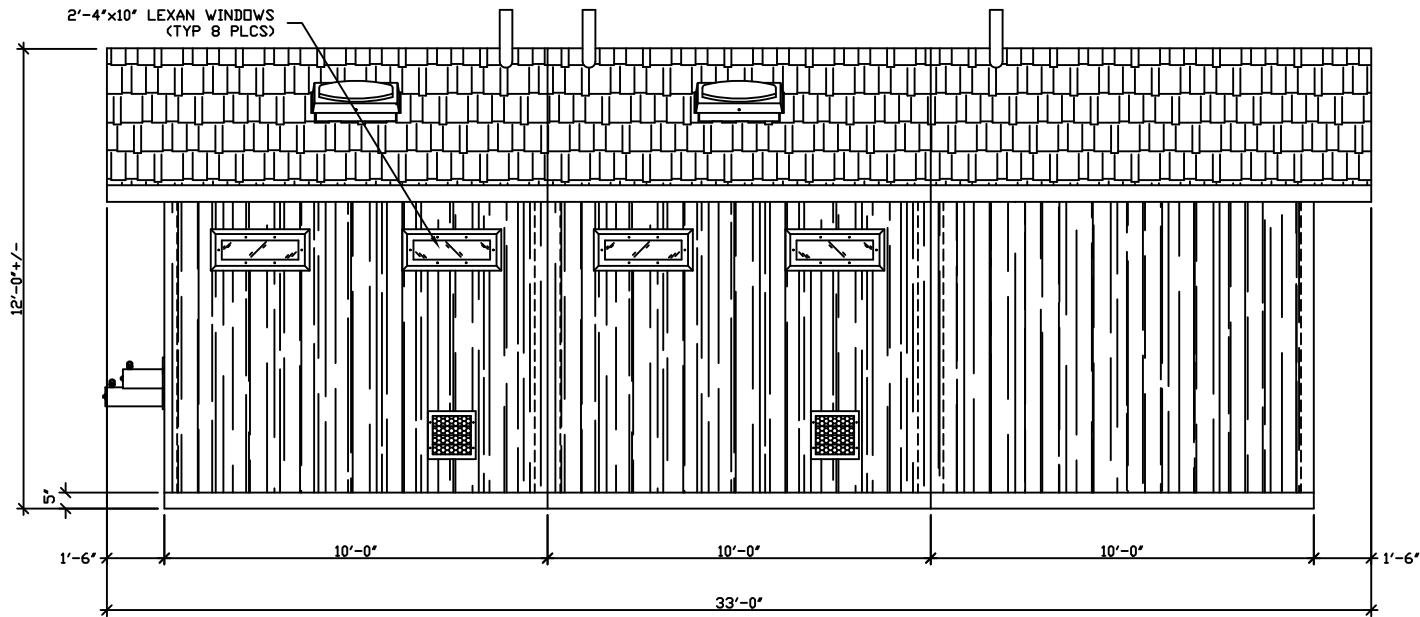
POMONA  
CXT STANDARD BUILDING

NOTICE  
The information contained herein is proprietary and the exclusive property of CXT Incorporated. The information may only be used by the original recipient for the purpose intended. Reproduction or distribution of this information is strictly prohibited without the prior written consent of CXT Incorporated. By allowing use of this information, CXT Incorporated grants no warranty, express or implied, including a warranty of merchantability or of fitness for a particular purpose.

REV.	DESCRIPTION	DATE	APPROVAL	SIGNATURE
SCALE	1/8" = 1'-0"	DATE	04-28-08	
DRAWN		FILE NO.	PD-PM04	
CHECKED		PLOT	32	

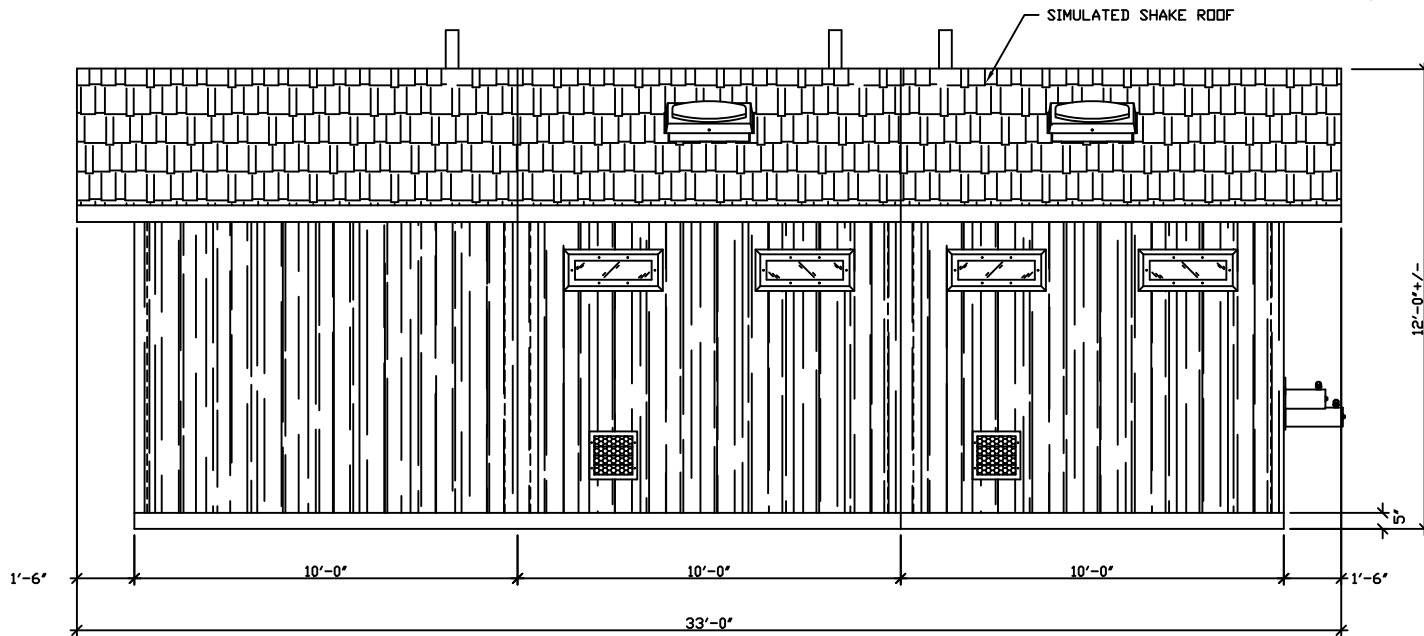
BUILDING ELEVATIONS

DWG NO.	SHEET	REV.
PM-04		



RH SIDE ELEVATION

FOR  
REFERENCE  
ONLY



LH SIDE ELEVATION



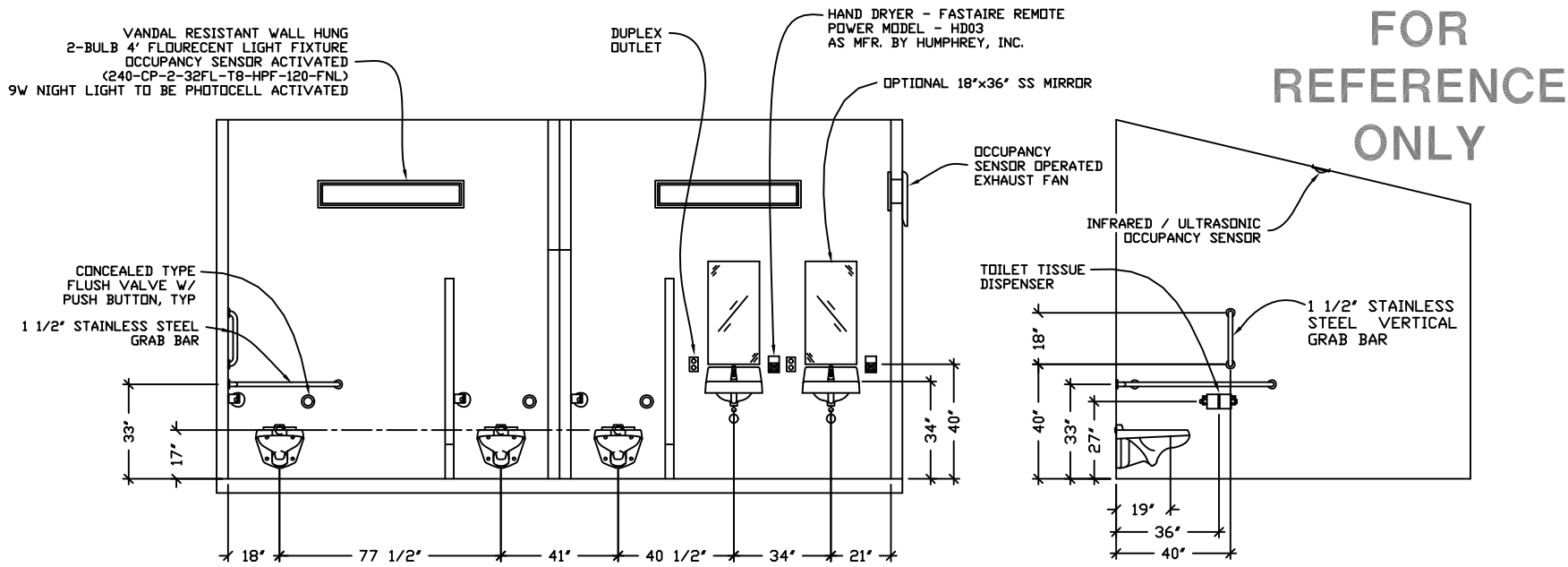
POMONA  
CXT STANDARD BUILDING

NOTICE  
The information contained herein is proprietary and the exclusive property of CXT Incorporated. The information may only be used by the original recipient for the purpose intended. Reproduction or distribution of this information is strictly prohibited without the prior written consent of CXT Incorporated. By allowing use of this information, CXT Incorporated grants no warranty, express or implied, including a warranty of merchantability or of fitness for a particular purpose.

REV	DESCRIPTION	APPROVAL	DATE
SCALE	1/8" = 1'-0"	FILE NO.	PD-PM05
DRAWN		PLOT	32
CHECKED			

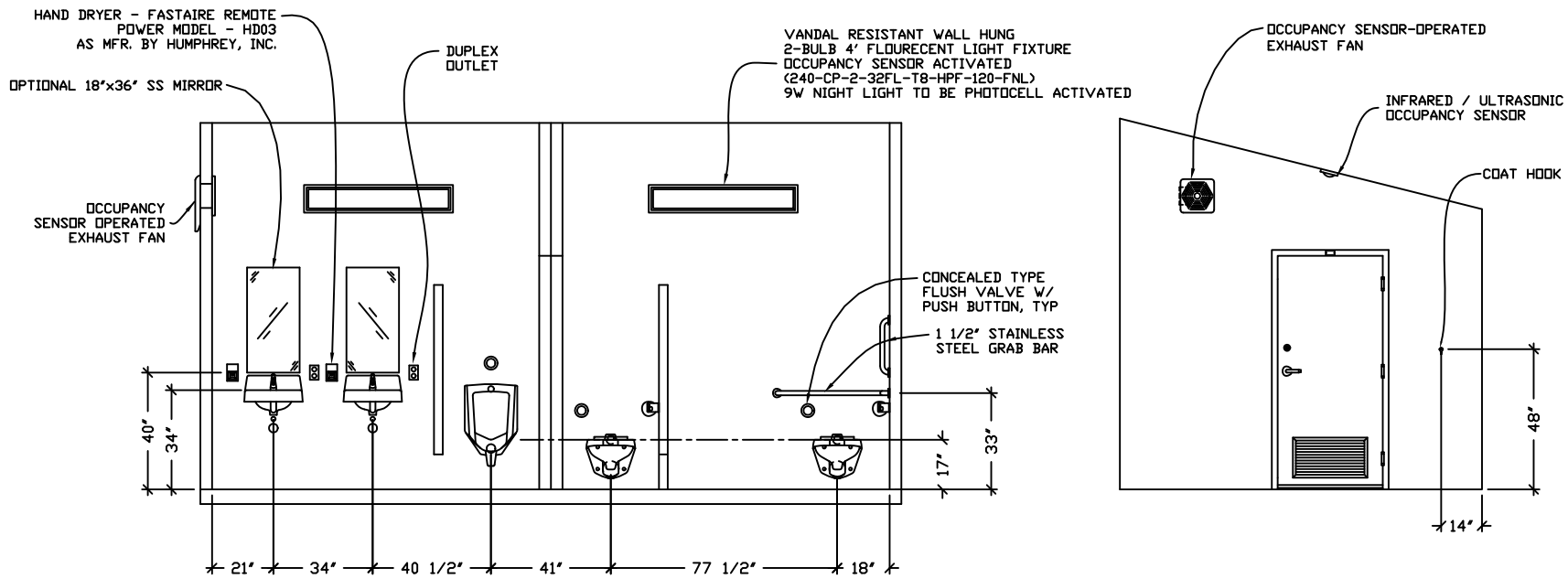
BUILDING ELEVATIONS

DWG NO.	SHEET	REV.
PM-05		



INTERIOR ELEVATION - WOMEN'S RESTROOM

INTERIOR ELEVATION - MEN'S RESTROOM  
WOMENS OPPOSITE HAND



INTERIOR ELEVATION - MEN'S RESTROOM

INTERIOR ELEVATION - WOMEN'S RESTROOM  
MENS OPPOSITE HAND



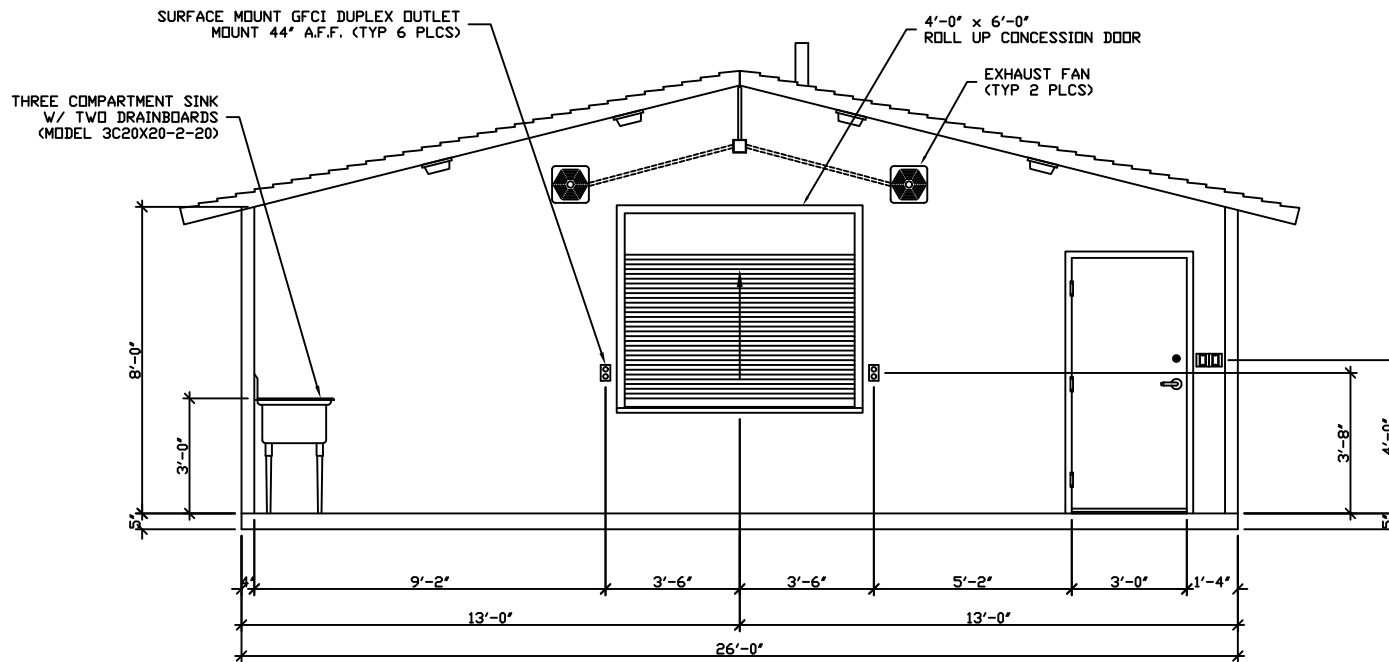
POMONA  
CXT STANDARD BUILDING

NOTICE  
The information contained herein is proprietary and the exclusive property of CXT Incorporated. The information may only be used by the original recipient for the purpose intended. Reproduction or distribution of this information is strictly prohibited without the prior written consent of CXT Incorporated. By allowing use of this information, CXT Incorporated grants no warranty, express or implied, including a warranty of merchantability or of fitness for a particular purpose.

SCALE	1 3/8" = 1'-0"	DATE	04-28-08
DRAWN		FILE NO.	PD-PM08
CHECKED		PLOT	32

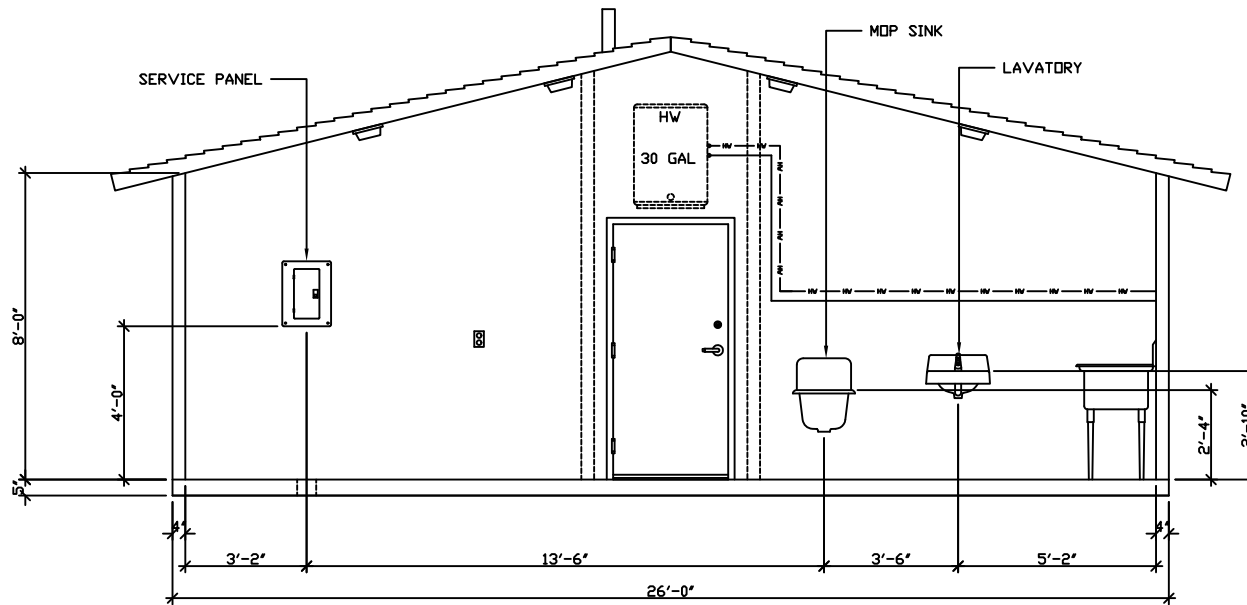
INTERIOR ELEVATIONS

DWG NO. PM-06 SHEET 1/1 REV.



CONCESSION FRONT WALL INTERIOR ELEVATION

FOR  
REFERENCE  
ONLY



CONCESSION BACK WALL INTERIOR ELEVATION



POMONA  
CXT STANDARD BUILDING

NOTICE  
The information contained herein is proprietary and the exclusive property of CXT Incorporated. The information may only be used by the original recipient for the purpose intended. Reproduction or distribution of this information is strictly prohibited without the prior written consent of CXT Incorporated. By allowing use of this information, CXT Incorporated grants no warranty, express or implied, including a warranty of merchantability or of fitness for a particular purpose.

REV.	DESCRIPTION	APPROVED	DATE
SCALE	1 3/8" = 1'-0"	DATE	04-28-08
DRAWN	FILE NO.	PD-PM07	
CHECKED	PLOT	32	

CONCESSION  
INTERIOR ELEVATIONS

DWG NO. PM-07 SHEET REV.