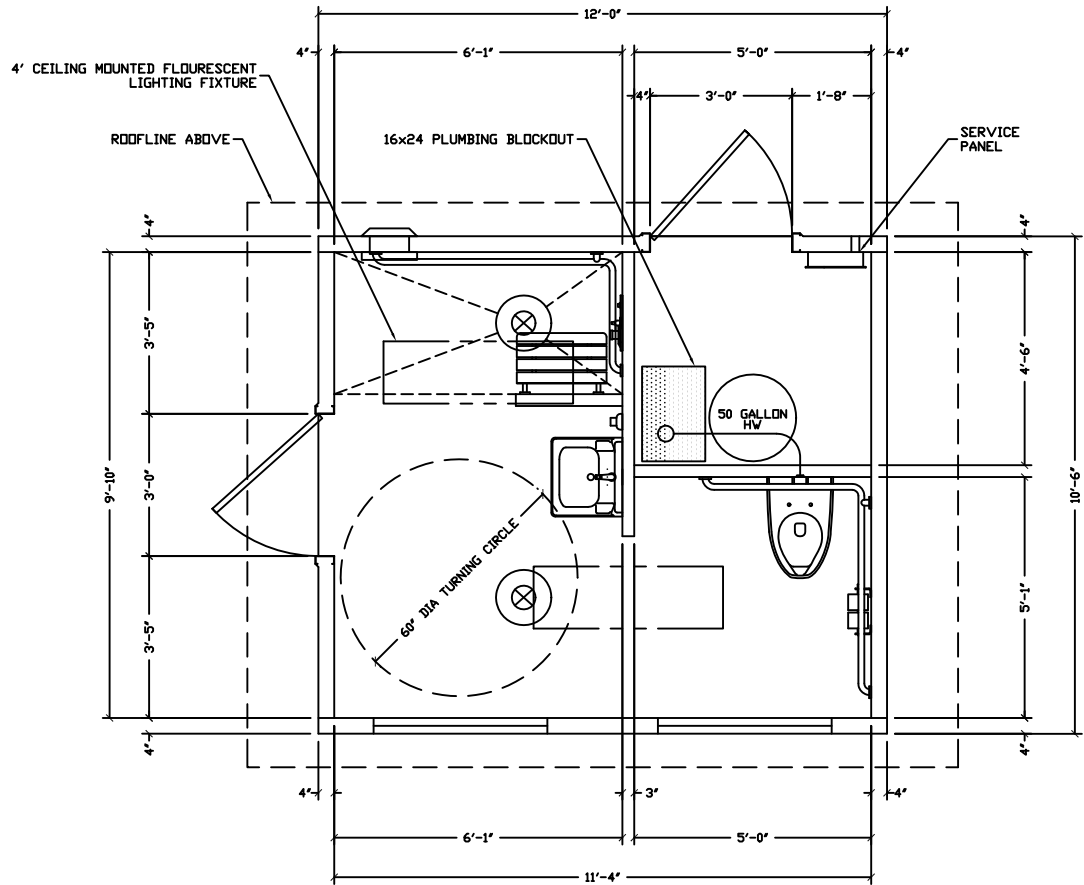


FOR
REFERENCE
ONLY



FLOOR PLAN

3000 N. Sullivan Bldg. #7 Spokane, WA 99216
CXT
 Precast Products
 901 N. Highway 77 Hillsboro, TX 76645

PROJECT NO.
PIONEER
 CXT STANDARD BUILDING

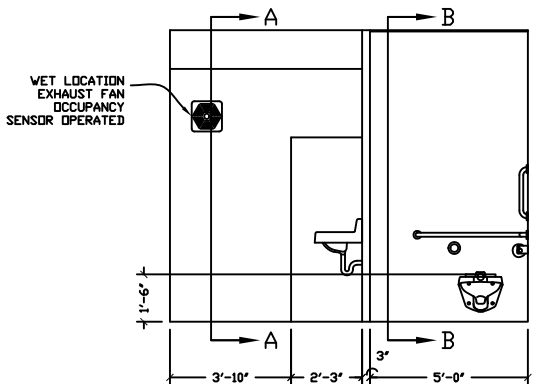
NOTICE
 The information contained herein is proprietary and the exclusive property of CXT Incorporated. The information may only be used by the original recipient for the purpose intended. Reproduction or distribution of this information is strictly prohibited without the prior written consent of CXT Incorporated. By allowing use of this information, CXT Incorporated grants no warranty, express or implied, including a warranty of merchantability or of fitness for a particular purpose.
 CXT Incorporated

SCALE	1/8" = 1'-0"	DATE	04-11-08
DRAWN	D BRESLER	FILE NO.	PD-0303
CHECKED		PLOT	32

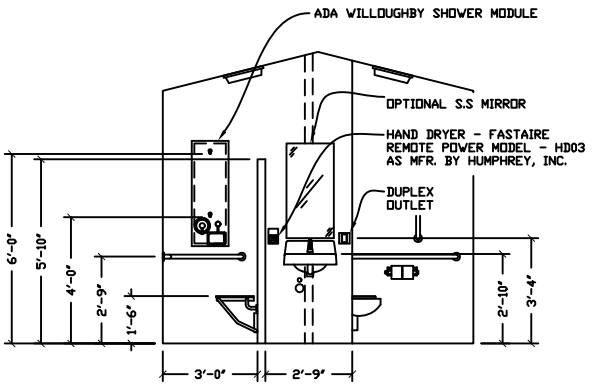
FLOOR PLAN

DWG NO.	PN-03	SHEET	1	REV.	
---------	-------	-------	---	------	--

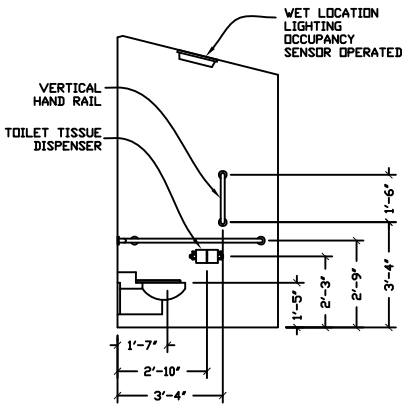
FOR
REFERENCE
ONLY



INTERIOR ELEVATION



SECTION VIEW A-A - SHOWER DETAIL



SECTION VIEW B-B - RESTROOM DETAIL

3808 N. Sullivan Bldg. #7 Spokane, WA 99216
CXT
 Precast Products
 901 N. Highway 77 Hillsboro, TX 76645

PROJECT NO.
PIONEER
 CXT STANDARD BUILDING

NOTICE
 The information contained herein is proprietary and the exclusive property of CXT Incorporated. The information may only be used by the original recipient for the purpose intended. Reproduction or distribution of this information is strictly prohibited without the prior written consent of CXT Incorporated. By allowing use of this information, CXT Incorporated grants no warranty, express or implied, including a warranty of merchantability or of fitness for a particular purpose.

NO.	DESCRIPTION	DATE	BY

SCALE 1/4"=1'-0" DATE 02-11-08
 DRAWN D BRESLER FILE NO. PD-2004
 CHECKED PLOT 48

INTERIOR ELEVATIONS

DWG NO. PN-04 SHEET REV.