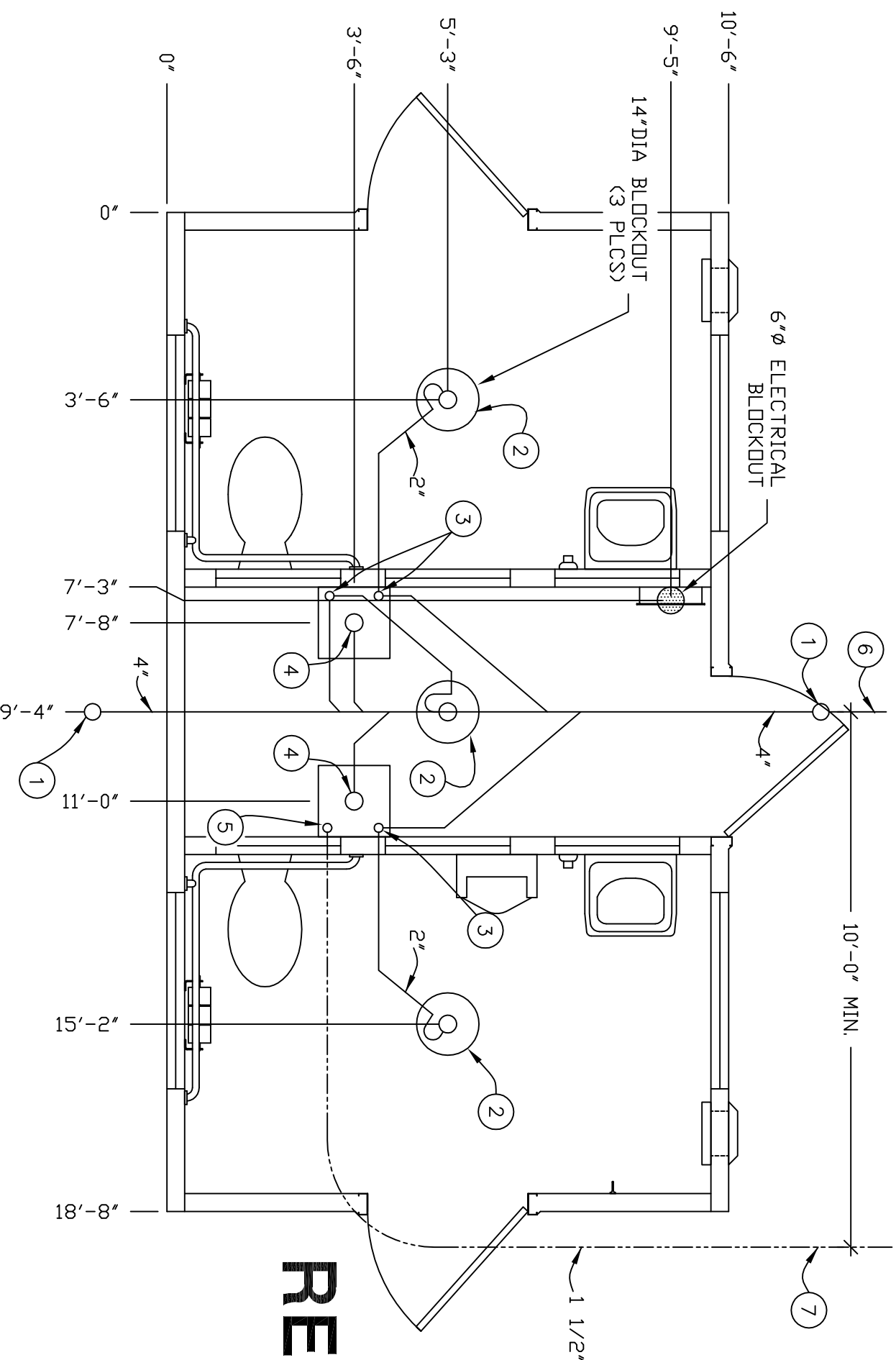


THIS DRAWING IS SUPPLIED FOR REFERENCE ONLY. PLEASE CONTACT CXT ENGINEERING DEPARTMENT FOR BUILDING SPECIFIC CONTROLLED DOCUMENTS PRIOR TO ANY FIELD WORK.



FOR REFERENCE ONLY

BELOW FLOOR PIPING - KEY NOTES

1. 4" CLEAN OUT TO GRADE.
2. 2" FLOOR DRAIN, FIELD INSTALLED W/ TRAP PRIMER SYSTEM IF OPTION IS ACCEPTED, INSTALL AS SHOWN W/ VENT & WASTE PIPE. (14"DIA BLOCKOUT)
3. 2" VENT EXTENDED 12" ABOVE FINISHED FLOOR LEVEL, (1 FOR EA FLOOR DRAIN IF FLOOR DRAIN OPTION ACCEPTED) PROVIDE TEST PLUG. (16"x16" BLOCKOUT)
4. 4" WASTE PIPE EXTENDED 12" ABOVE FINISHED FLOOR LEVEL, PROVIDE TEST PLUG. (16"x16" BLOCKOUT)
5. 1 1/2" TYPE K ANNEALED 'SOFT' COPPER WATER SERVICE EXTENDED 12" ABOVE FINISHED FLOOR LEVEL, PROVIDE TEST CAP AT END. (16"x16" BLOCKOUT)
6. 30" MIN. BURY, PROVIDE TRACER TAPE.
7. 4'-6" MIN. BURY.

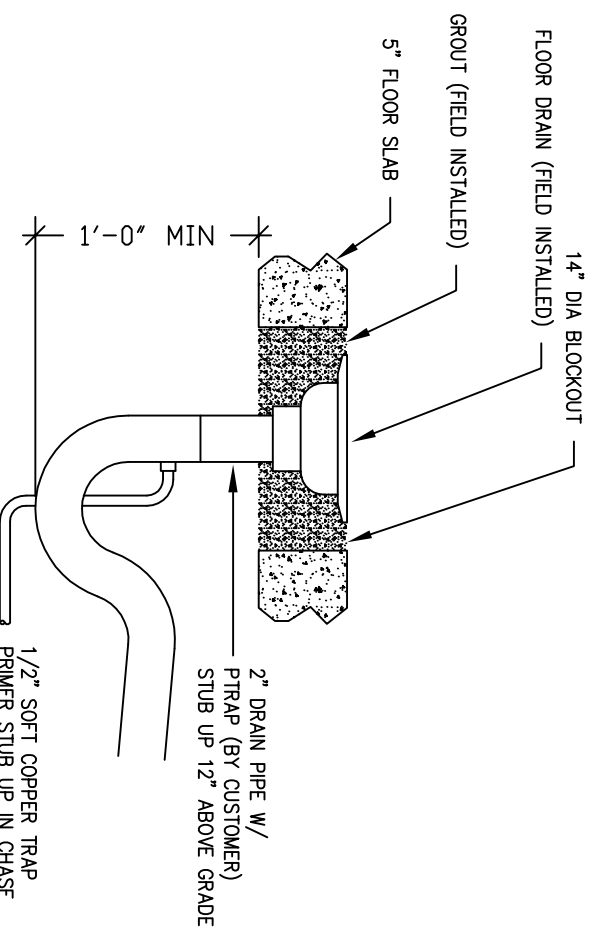
PIPING LEGEND

- BELOW FLOOR WASTE PIPING SCH 40 ABS TYPE DWV
- 1 1/2" TYPE "K" ANNEALED "SOFT" COPPER WATER SERVICE

FLOOR DRAIN (FIELD INSTALLED)

GROUT (FIELD INSTALLED)

5" FLOOR SLAB



FLOOR DRAIN DETAIL

NOTICE

The information contained herein is proprietary and the exclusive property of CXT Incorporated. The information may only be used by the original recipient for the purpose intended. Reproduction or distribution of this information is strictly prohibited without the prior written consent of CXT Incorporated. By allowing use of this information, CXT Incorporated grants no warranty, express or implied, including a warranty of merchantability or of fitness for a particular purpose.

CXT Incorporated

REV.	DESCRIPTION	DATE	APPROVAL	DATE
SCALE	3/8=1'-0"	DATE	04-27-09	
DRAWN	ROB D WALKER	FILE NO.	PD-022-21	
CHECKED		PLOT	32	

FLOOR DRAIN BLOCKOUTS & BELOW FLOOR PIPING

DWG NO. OZ 2-21

21

23



Precast Products

PROJECT TITLE
OZARK 2

CXT STANDARD BUILDING