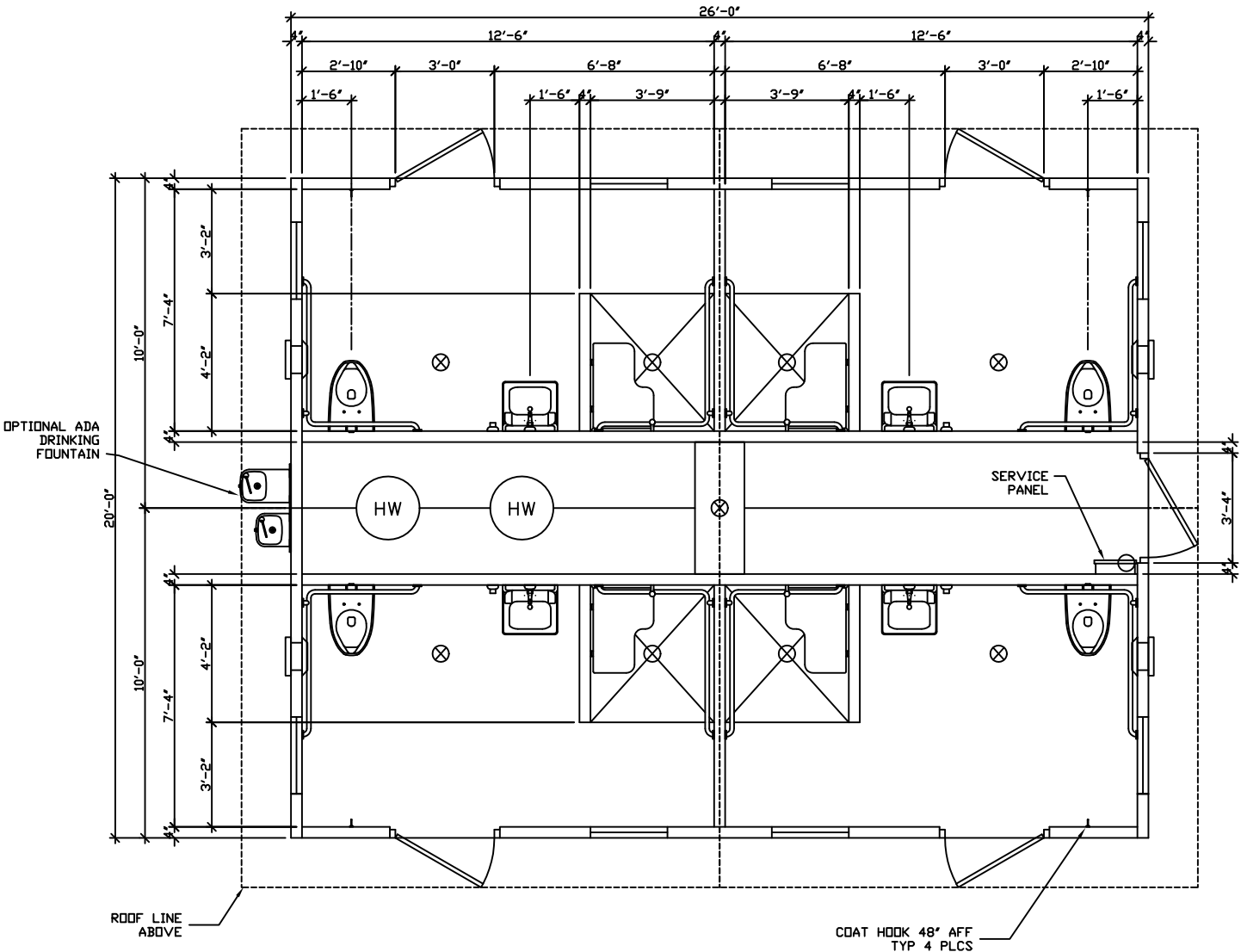


FOR  
REFERENCE  
ONLY



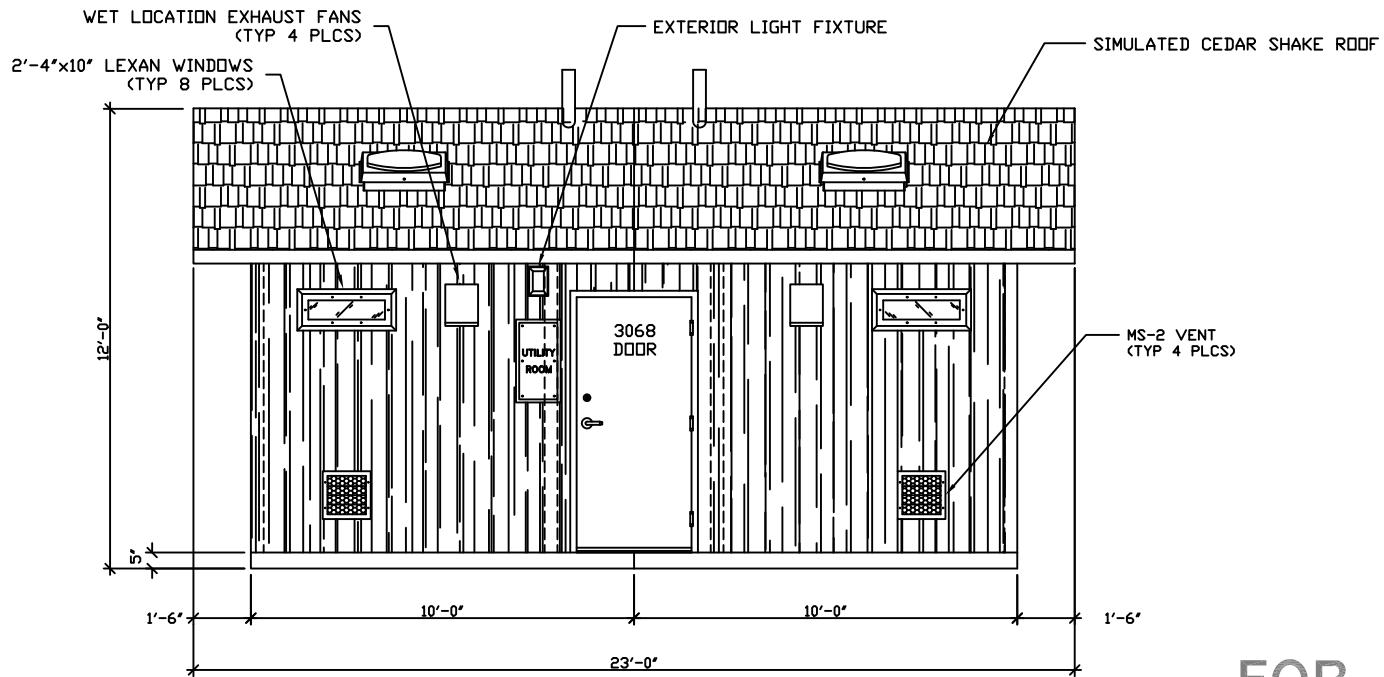
**CXT**  
Precast Products  
PROJECT TITLE  
**NAVAJO FLUSH / SHOWER**  
CXT STANDARD BUILDING

**NOTICE**  
The information contained herein is proprietary and the exclusive property of CXT Incorporated. The information may only be used by the original recipient for the purpose intended. Reproduction or distribution of this information is strictly prohibited without the prior written consent of CXT Incorporated. By allowing use of this information, CXT Incorporated grants no warranty, express or implied, including a warranty of merchantability or of fitness for a particular purpose.

REV	DESCRIPTION	APPROVAL	DATE
SCALE	3/8" = 1'-0"	DATE	04-28-08
DRAWN	FILE NO.	PD-N03	
CHECKED	PLOT	32	

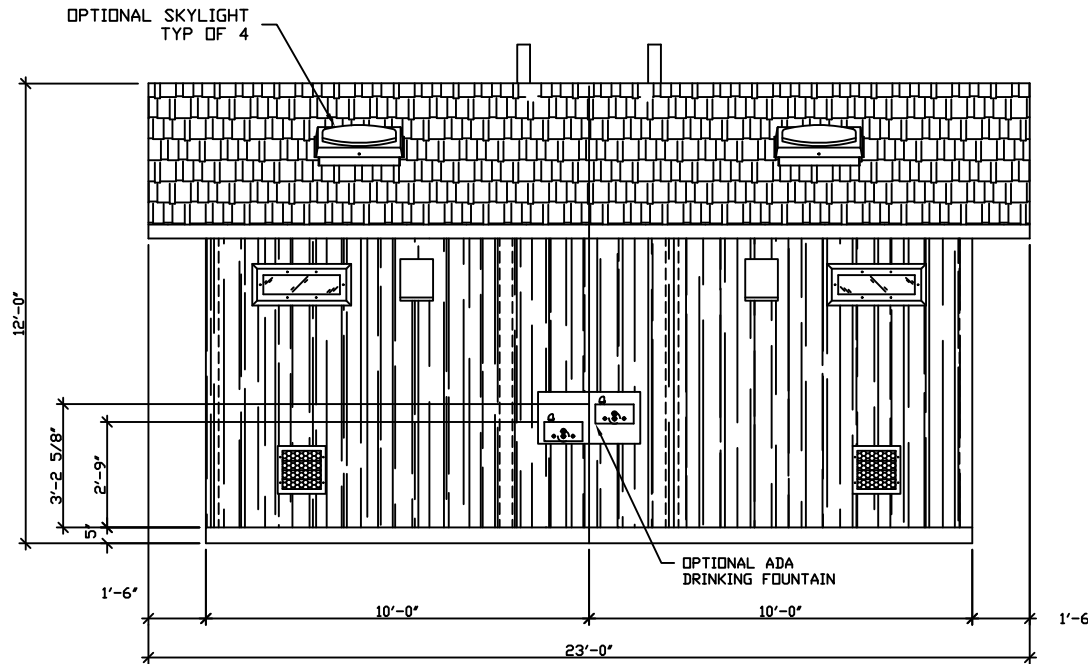
<b>FLOOR PLAN</b>	
DWG NO.	SHEET
N-03	/
	REV.

**NOTE:** PLUMBING COMPONENTS ARE SHOWN FOR GENERAL ARRANGEMENT ONLY. SEE SHEETS N-27 THRU N-29 FOR COMPLETE SYSTEM DESCRIPTIONS.



RH SIDE ELEVATION

FOR  
REFERENCE  
ONLY



LH SIDE ELEVATION

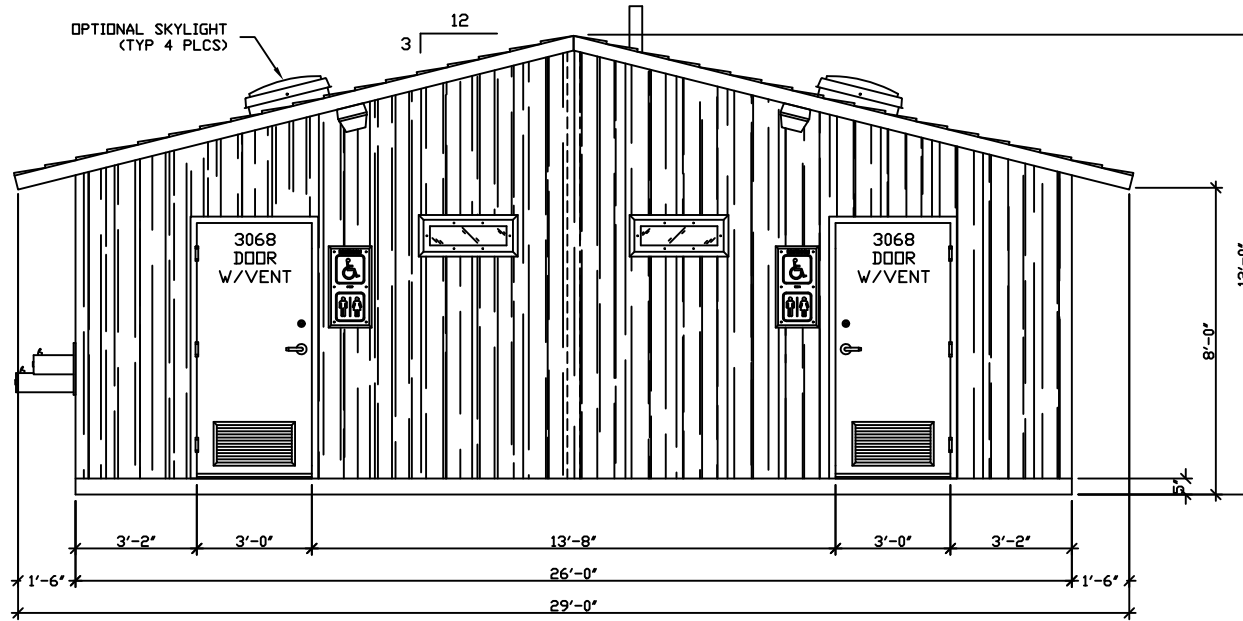


PROJECT TITLE  
NAVAJO FLUSH / SHOWER  
CXT STANDARD BUILDING

NOTICE  
The information contained herein is proprietary and the exclusive property of CXT Incorporated. The information may only be used by the original recipient for the purpose intended. Reproduction or distribution of this information is strictly prohibited without the prior written consent of CXT Incorporated. By allowing use of this information, CXT Incorporated grants no warranty, express or implied, including a warranty of merchantability or of fitness for a particular purpose.

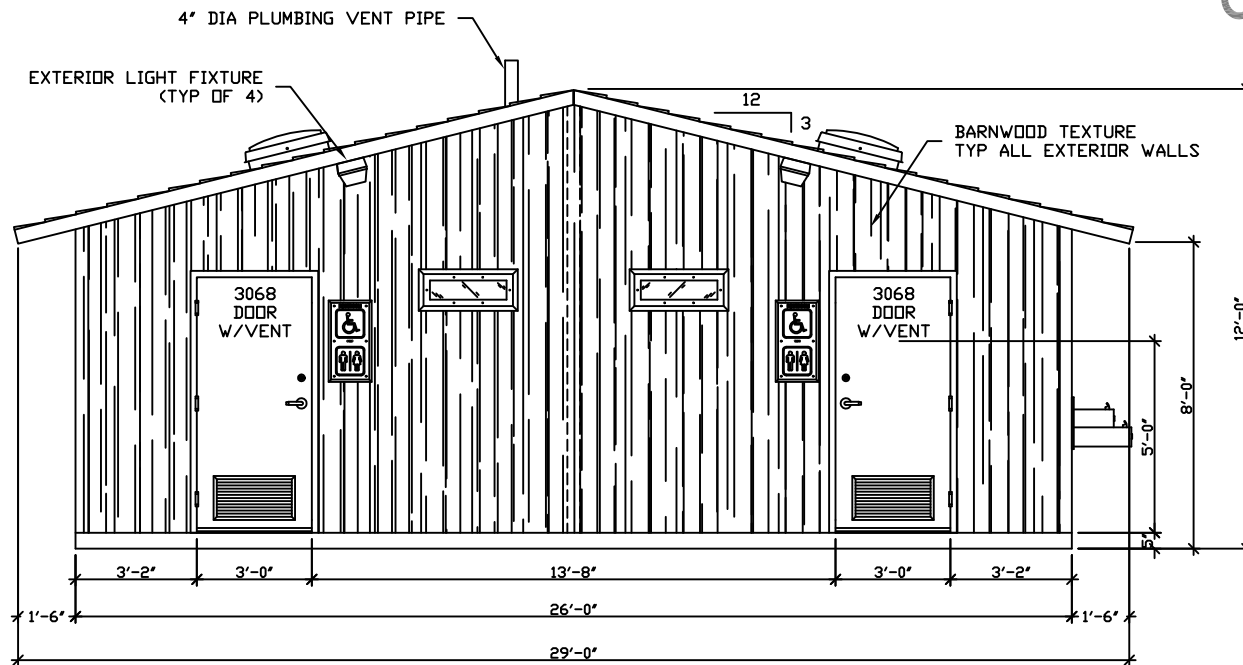
REV.	DESCRIPTION	DATE	APPROVAL	SIGNATURE

DWG NO. N-05  
SHEET 32  
REV.



FRONT ELEVATION

FOR  
REFERENCE  
ONLY



REAR ELEVATION



PROJECT TITLE  
**NAVAJO FLUSH / SHOWER**  
CXT STANDARD BUILDING

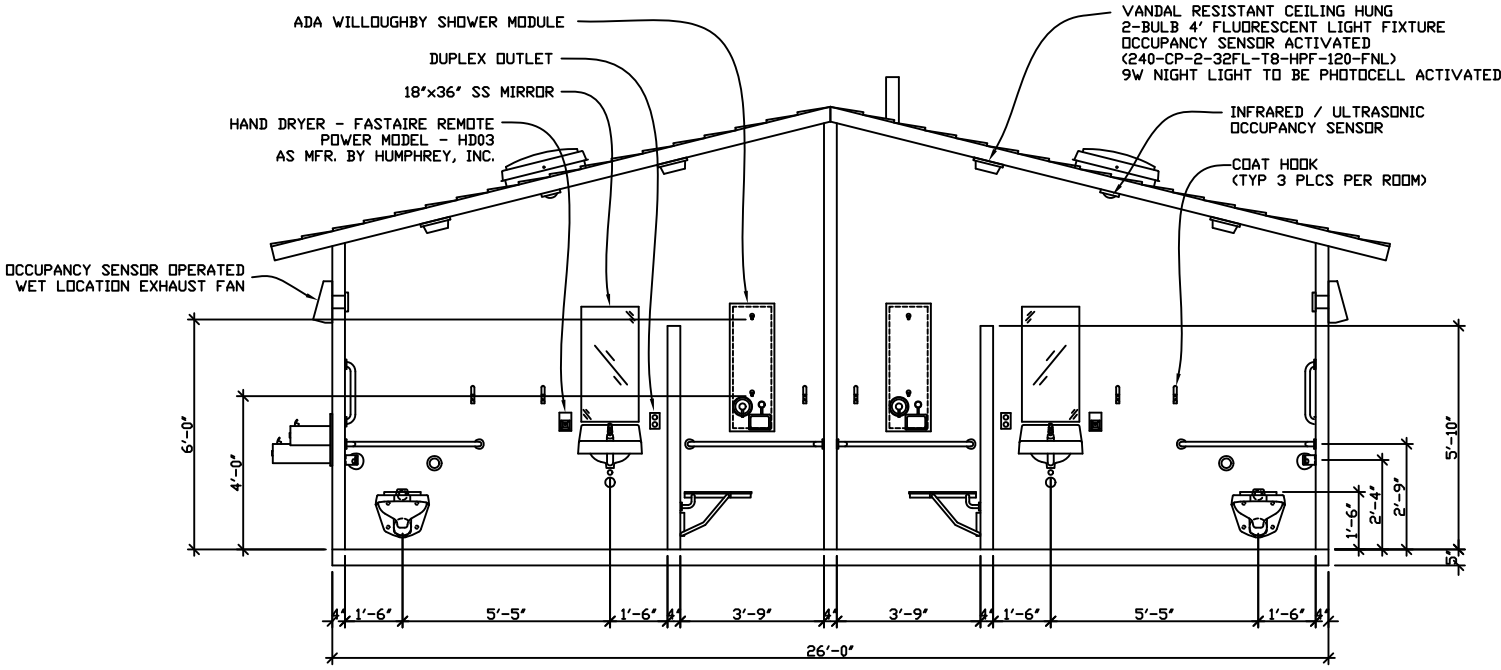
NOTICE  
The information contained herein is proprietary and the exclusive property of CXT Incorporated. The information may only be used by the original recipient for the purpose intended. Reproduction or distribution of this information is strictly prohibited without the prior written consent of CXT Incorporated. By allowing use of this information, CXT Incorporated grants no warranty, express or implied, including a warranty of merchantability or of fitness for a particular purpose.

REV.	DESCRIPTION	APPROVAL	DATE
SCALE	3/8"=1'-0"	DATE	1-04-28-08
DRAWN	CHECKED	FILE NO.	PD-N04
		PLOT	32

**BUILDING ELEVATIONS**

DWG NO.	SHEET	REV.
N-04		

# FOR REFERENCE ONLY



PROJECT TITLE  
**NAVAJO FLUSH / SHOWER**  
 CXT STANDARD BUILDING

**NOTICE**  
 The information contained herein is proprietary and the exclusive property of CXT Incorporated. The information may only be used by the original recipient for the purpose intended. Reproduction or distribution of this information is strictly prohibited without the prior written consent of CXT Incorporated. By allowing use of this information, CXT Incorporated grants no warranty, express or implied, including a warranty of merchantability or of fitness for a particular purpose.

CXT Incorporated

REV.	DESCRIPTION	DATE	APPROVED	DATE

SCALE	3/8"=1'-0"	DATE	04-28-08
DRAWN		FILE NO.	PD-N06
CHECKED		PLOT	32

**INTERIOR ELEVATIONS**

DWG NO.	SHEET	REV.
N-06		