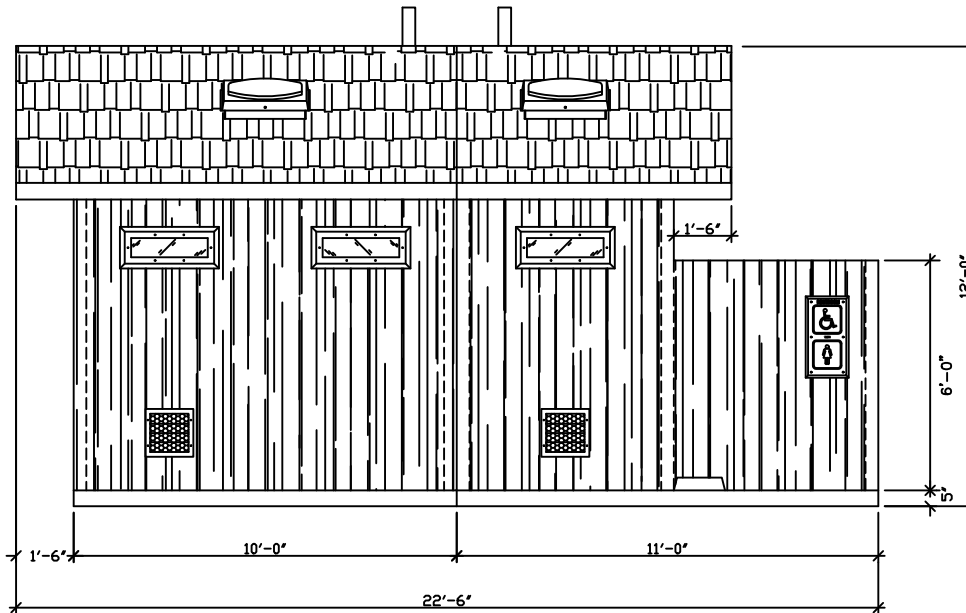


RH SIDE ELEVATION



LH SIDE ELEVATION

FOR  
REFERENCE  
ONLY



PROJECT TITLE  
**MONTROSE with SCREEN**  
CXT STANDARD BUILDING

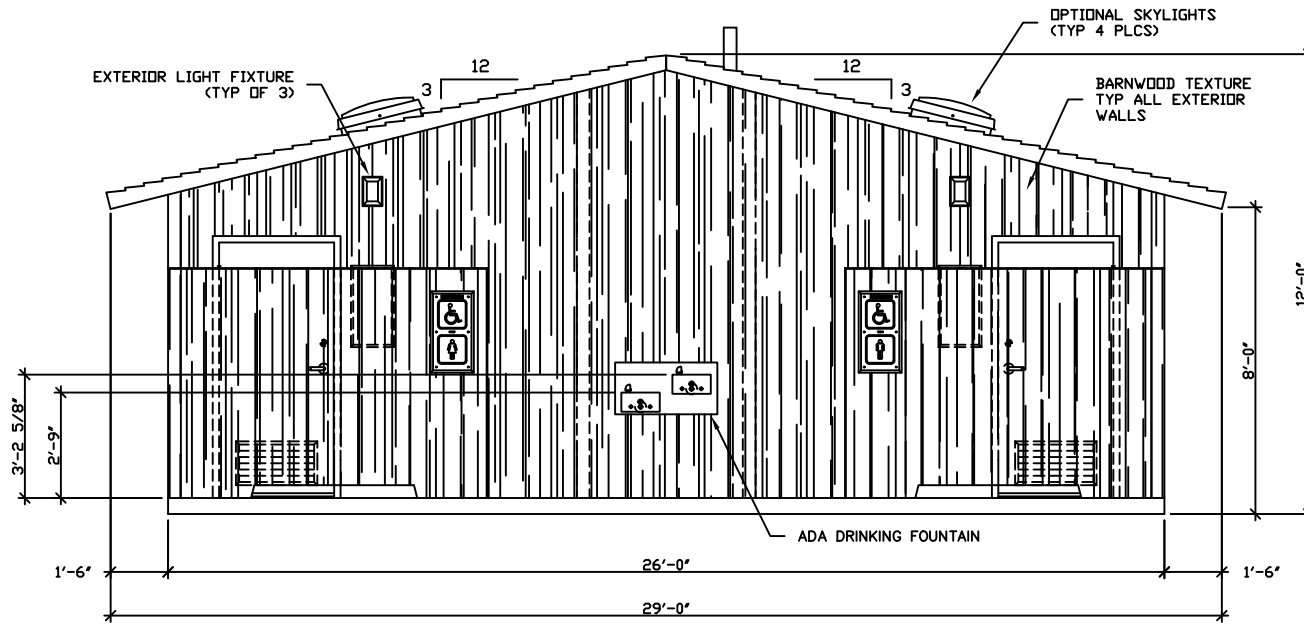
NOTICE  
The information contained herein is proprietary and the exclusive property of CXT Incorporated. The information may only be used by the original recipient for the purpose intended. Reproduction or distribution of this information is strictly prohibited without the prior written consent of CXT Incorporated. By allowing use of this information, CXT Incorporated grants no warranty, express or implied, including a warranty of merchantability or of fitness for a particular purpose.

CXT Incorporated

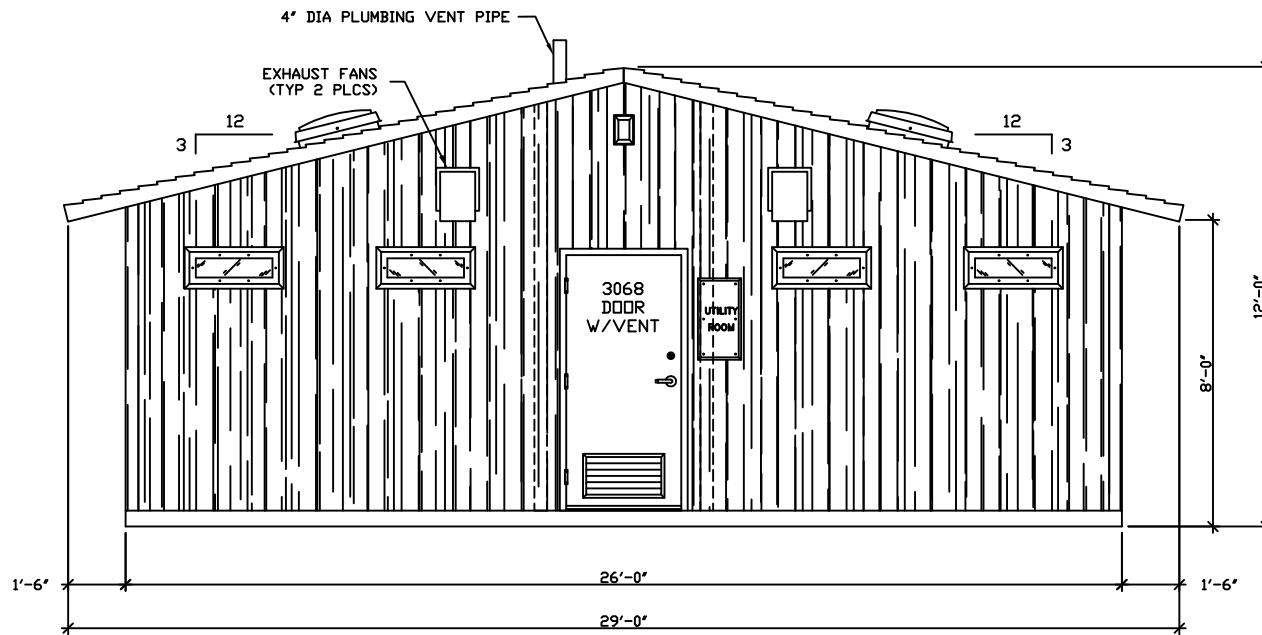
SCALE	DATE	APPROVAL	DATE
3/8"=1'-0"			
DRAWN	FILE NO.	PD-MWSOS	
CHECKED	PLOT	32	

BUILDING ELEVATIONS

DWG NO.	SHEET	REV.
M-05		



FRONT ELEVATION



REAR ELEVATION

FOR  
REFERENCE  
ONLY

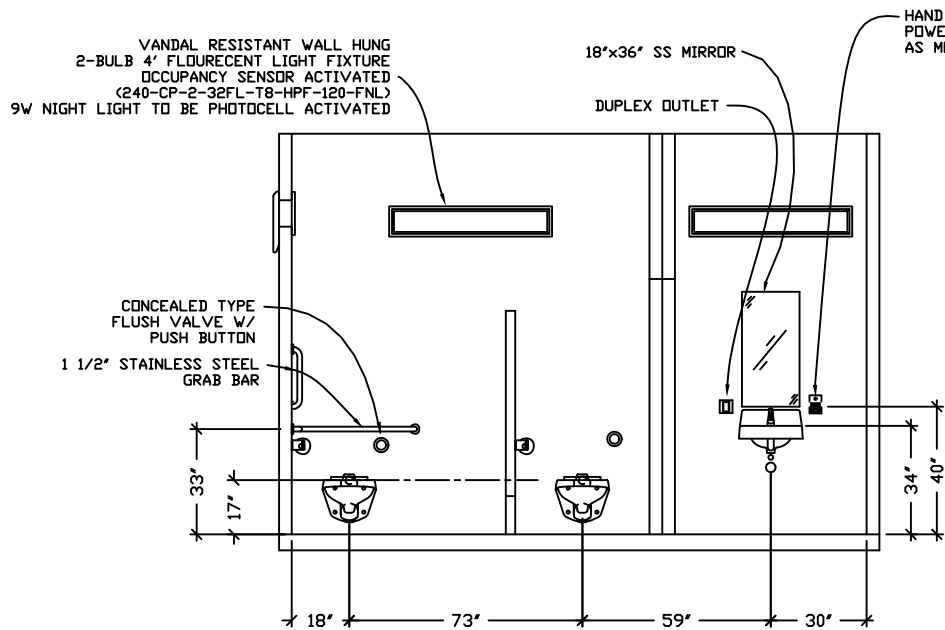


PROJECT TITLE  
**MONTROSE with SCREEN**  
CXT STANDARD BUILDING

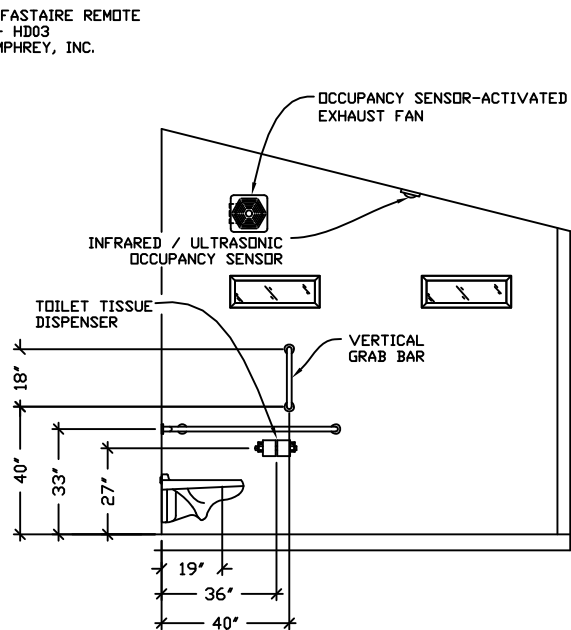
**NOTICE**  
The information contained herein is proprietary and the exclusive property of CXT Incorporated. The information may only be used by the original recipient for the purpose intended. Reproduction or distribution of this information is strictly prohibited without the prior written consent of CXT Incorporated. By allowing use of this information, CXT Incorporated grants no warranty, express or implied, including a warranty of merchantability or of fitness for a particular purpose.

CXT Incorporated			
REV.	DESCRIPTION	APPROVAL	DATE
SCALE	1/8" = 1'-0"	DATE	04-28-08
DRAWN	FILE NO.	PD-MWS04	
CHECKED	PLOT	32	

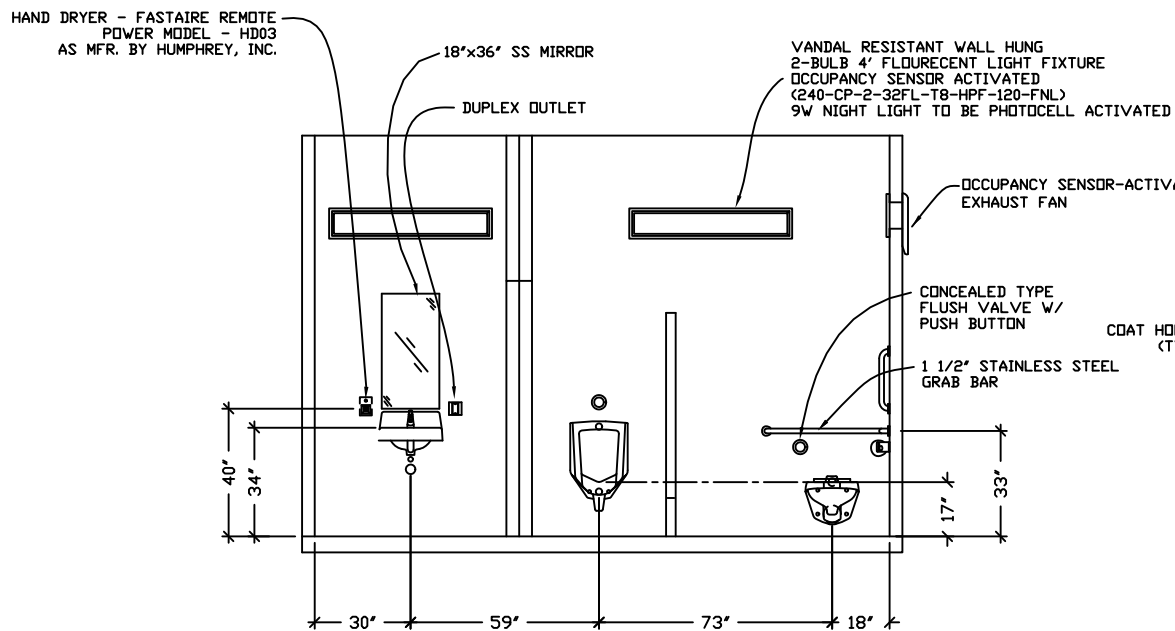
<b>BUILDING ELEVATIONS</b>		
DWG NO.	SHEET	REV.
M-04		



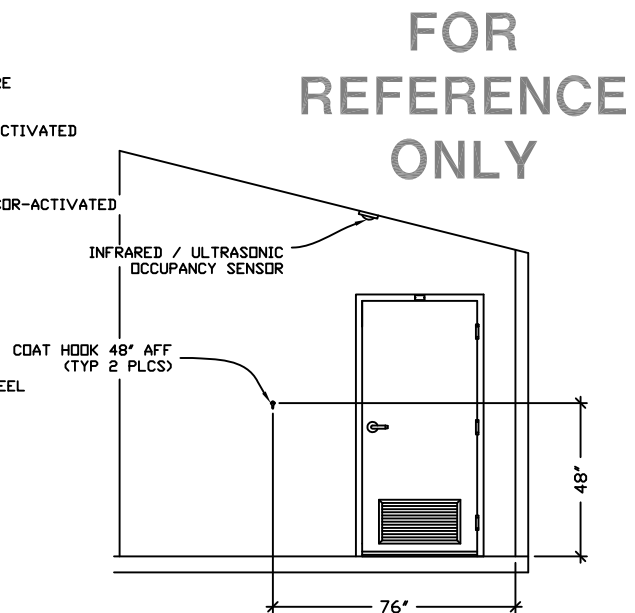
INTERIOR ELEVATION - WOMEN'S RESTROOM



INTERIOR ELEVATION - MEN'S RESTROOM  
WOMENS OPPOSITE HAND



INTERIOR ELEVATION - MEN'S RESTROOM



INTERIOR ELEVATION - WOMEN'S RESTROOM  
MENS OPPOSITE HAND



PROJECT TITLE  
**MONTROSE with SCREEN**  
CXT STANDARD BUILDING

NOTICE  
The information contained herein is proprietary and the exclusive property of CXT Incorporated. The information may only be used by the original recipient for the purpose intended. Reproduction or distribution of this information is strictly prohibited without the prior written consent of CXT Incorporated. By allowing use of this information, CXT Incorporated grants no warranty, express or implied, including a warranty of merchantability or of fitness for a particular purpose.

REV	DESCRIPTION	APPROVAL	DATE
SCALE	1/8" = 1'-0"	DATE	04-28-08
DRAWN		FILE NO.	PD-MWS06
CHECKED		PLOT	32

INTERIOR ELEVATIONS

DWG NO. M-06 SHEET REV.