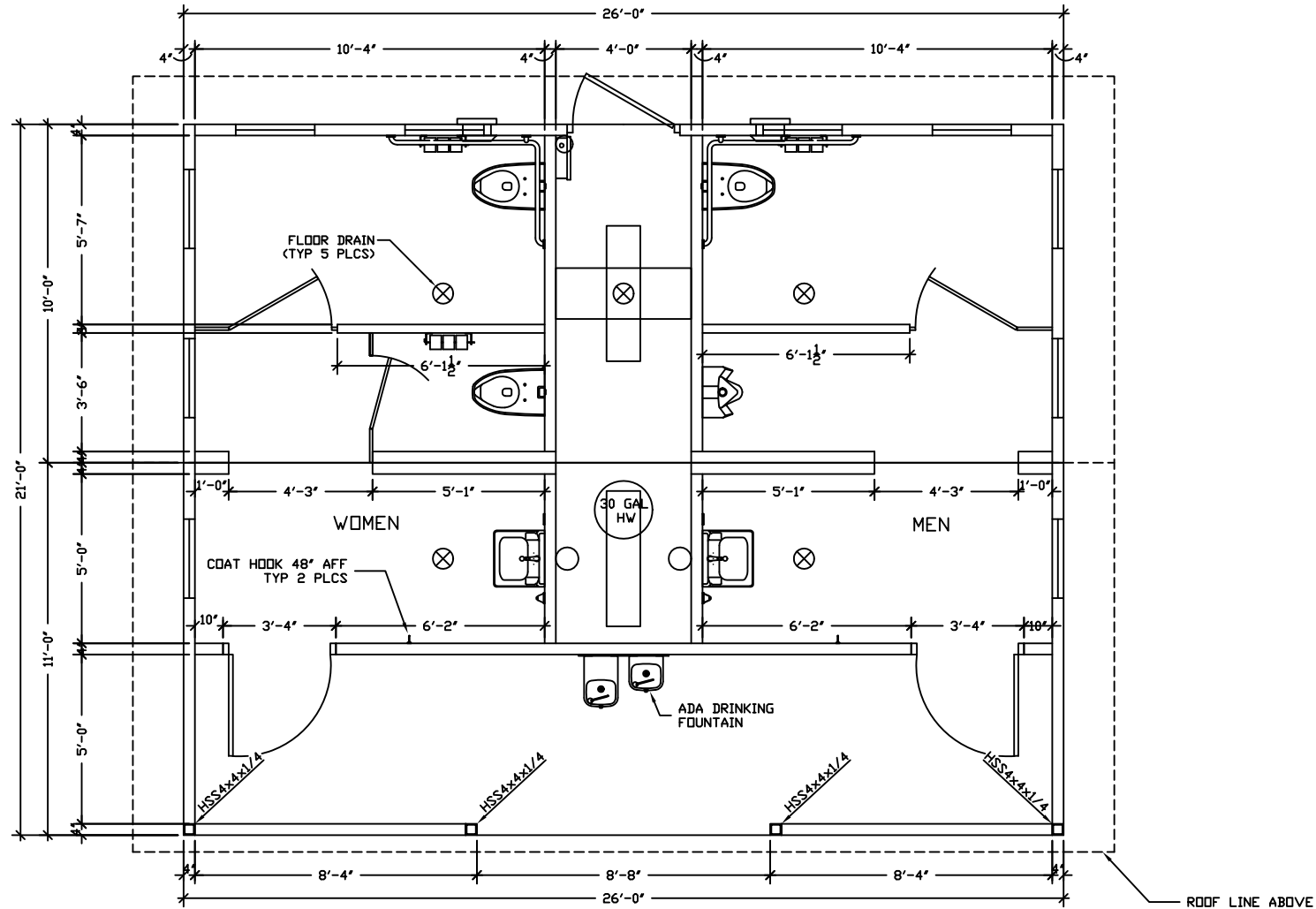


FOR
REFERENCE
ONLY



PROJECT NAME
MONTROSE with PORCH
CXT STANDARD BUILDING

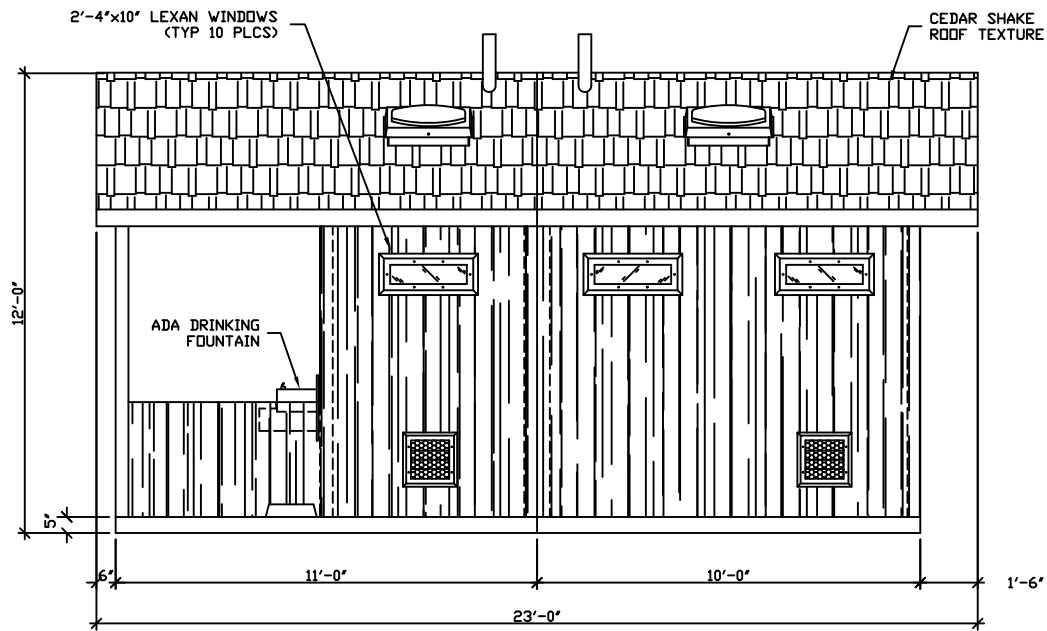
NOTICE
The information contained herein is proprietary and the exclusive property of CXT Incorporated. The information may only be used by the original recipient for the purpose intended. Reproduction or distribution of this information is strictly prohibited without the prior written consent of CXT Incorporated. By allowing use of this information, CXT Incorporated grants no warranty, express or implied, including a warranty of merchantability or of fitness for a particular purpose.

REV.	DESCRIPTION	DATE	APPROVED	DATE

SCALE 1/8" = 1'-0" DATE 04-28-08
DRAWN FILE NO. PD-MWPO3
CHECKED PLOT 32

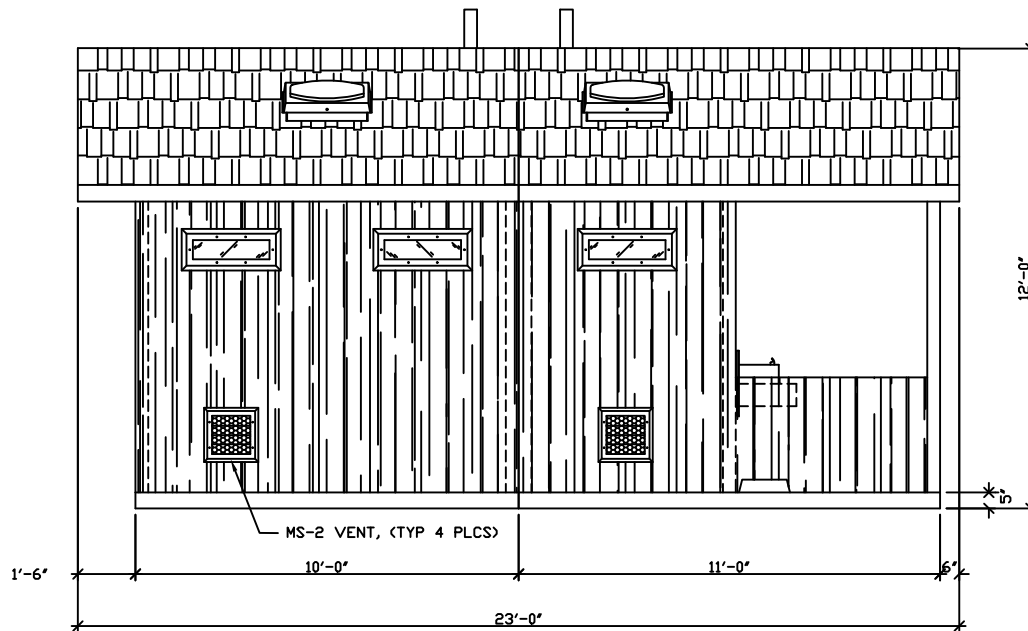
FLOOR PLAN

DWG NO.	SHEET	REV.
M-03	1	



RH SIDE ELEVATION

FOR
REFERENCE
ONLY



LH SIDE ELEVATION



PROJECT TITLE
MONTROSE with PORCH
CXT STANDARD BUILDING

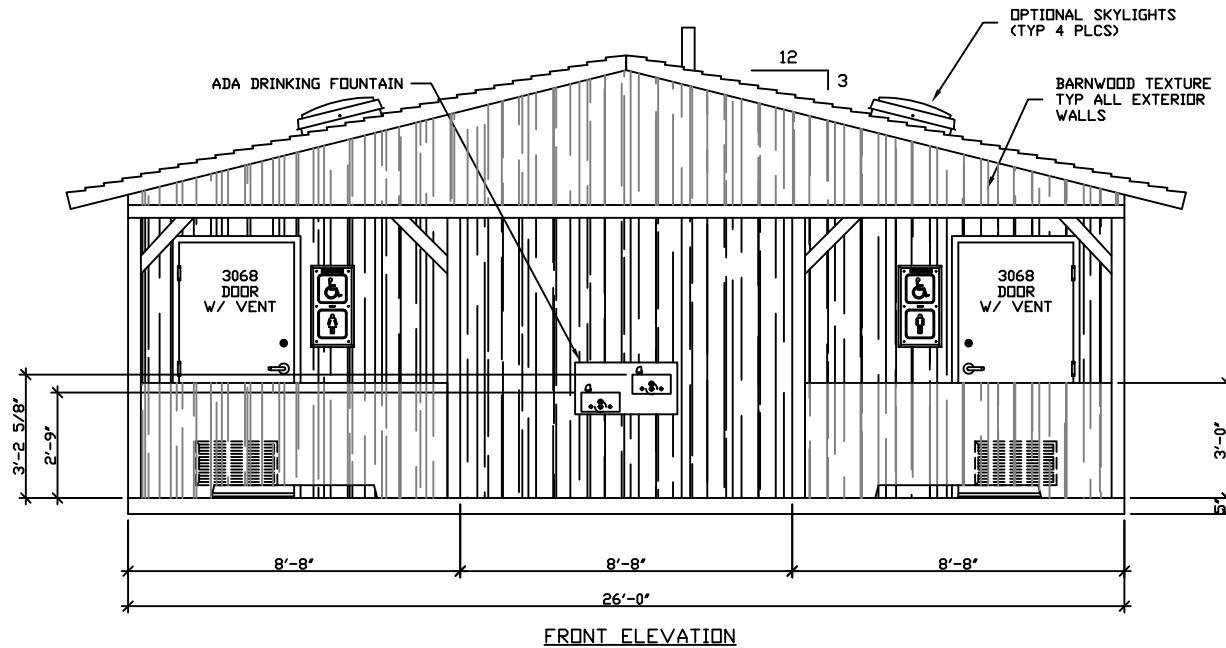
NOTICE
The information contained herein is proprietary and the exclusive property of CXT Incorporated. The information may only be used by the original recipient for the purpose intended. Reproduction or distribution of this information is strictly prohibited without the prior written consent of CXT Incorporated. By allowing use of this information, CXT Incorporated grants no warranty, express or implied, including a warranty of merchantability or of fitness for a particular purpose.

CXT Incorporated

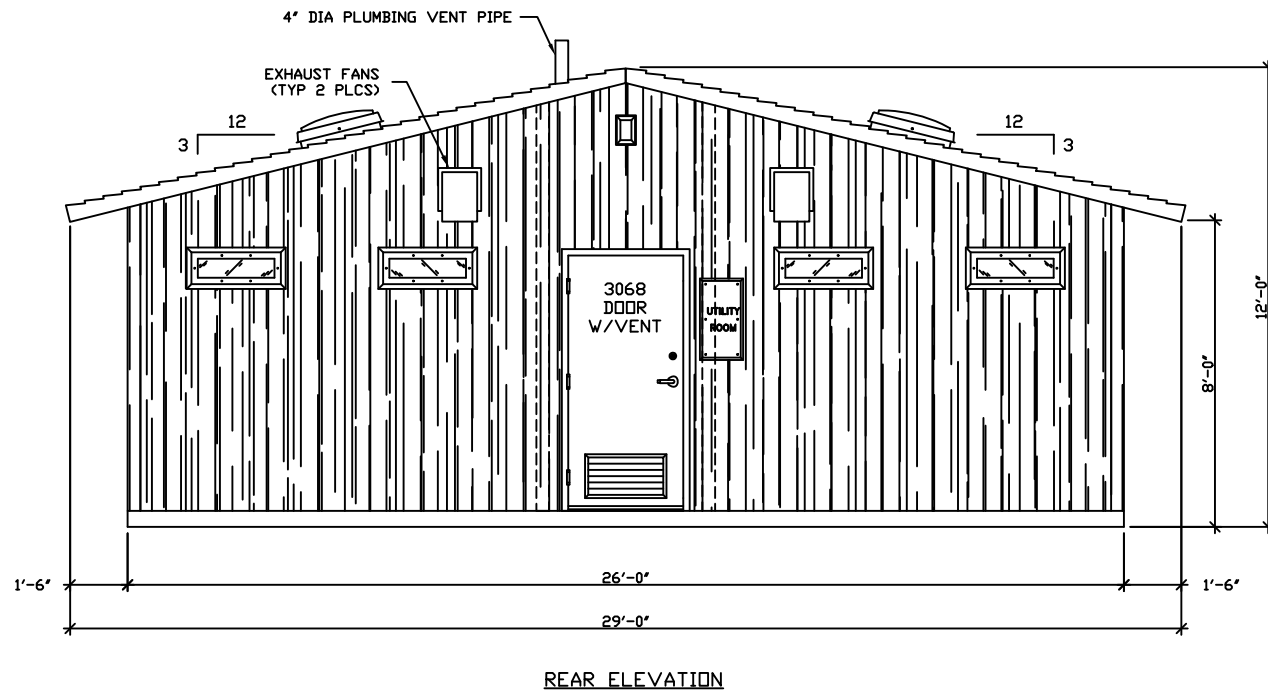
REV.	DESCRIPTION	APPROVAL	DATE
SCALE	1/8"=1'-0"	DATE	
DRAWN	FILE NO.	PD-MWPOS	
CHECKED	PLOT	32	

BUILDING ELEVATIONS

DWG NO.	SHEET	REV.
M-05		



FOR
REFERENCE
ONLY



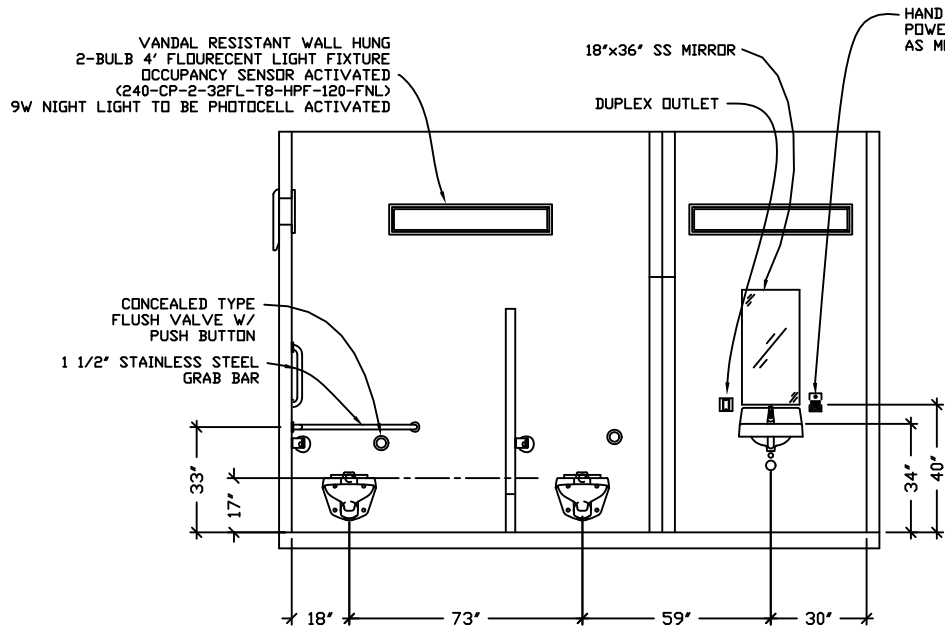
PROJECT TITLE
MONTROSE with PORCH
CXT STANDARD BUILDING

NOTICE
The information contained herein is proprietary and the exclusive property of CXT Incorporated. The information may only be used by the original recipient for the purpose intended. Reproduction or distribution of this information is strictly prohibited without the prior written consent of CXT Incorporated. By allowing use of this information, CXT Incorporated grants no warranty, express or implied, including a warranty of merchantability or of fitness for a particular purpose.

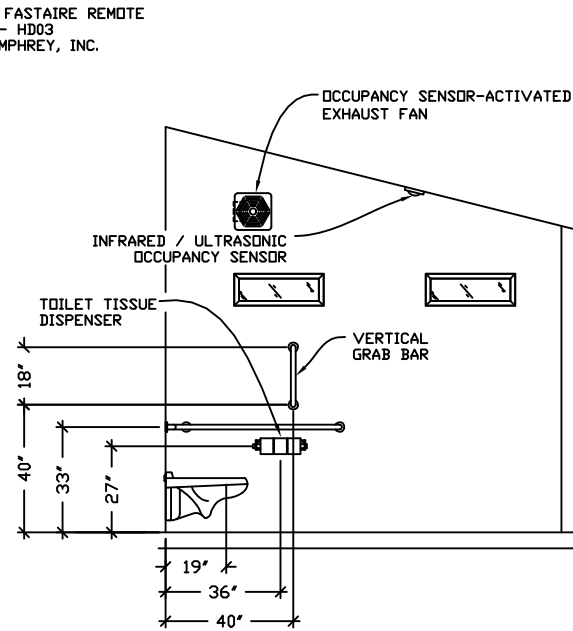
REV.	DESCRIPTION	APPROVAL	DATE
DRAWN	SCALE 1/8"=1'-0"	FILE NO.	DATE 04-28-08
CHECKED		PLOT	32

BUILDING ELEVATIONS

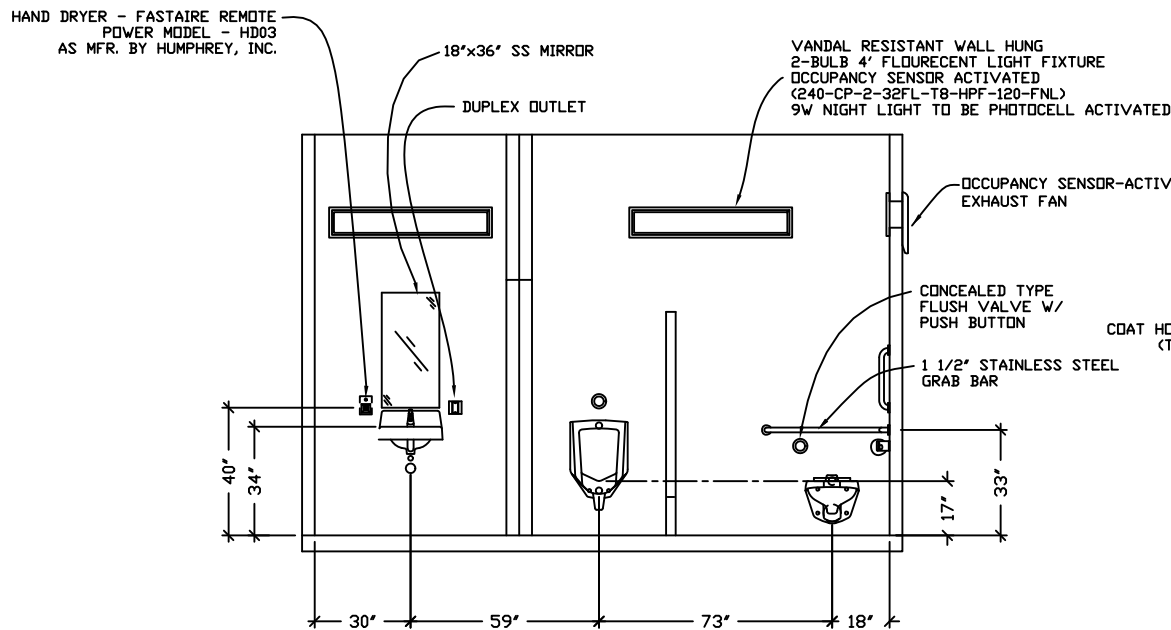
DWG NO.	SHEET	REV.
M-04		



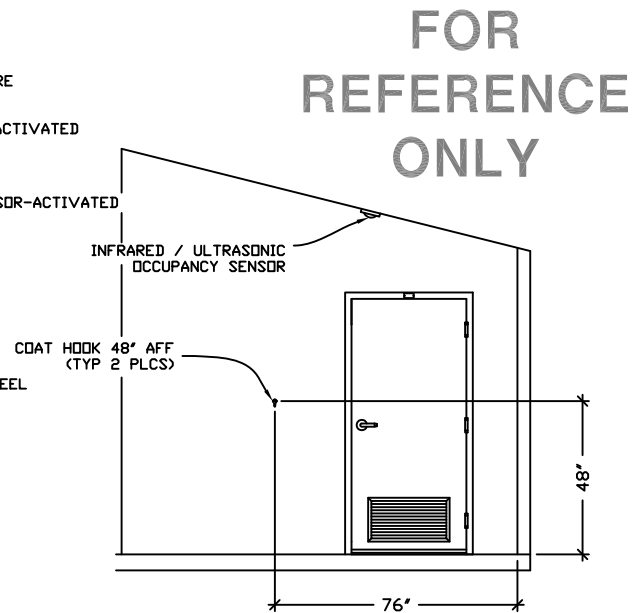
INTERIOR ELEVATION - WOMEN'S RESTROOM



INTERIOR ELEVATION - MEN'S RESTROOM
WOMENS OPPOSITE HAND



INTERIOR ELEVATION - MEN'S RESTROOM



INTERIOR ELEVATION - WOMEN'S RESTROOM
MENS OPPOSITE HAND

FOR
REFERENCE
ONLY



PROJECT TITLE
MONTROSE with PORCH
CXT STANDARD BUILDING

NOTICE
The information contained herein is proprietary and the exclusive property of CXT Incorporated. The information may only be used by the original recipient for the purpose intended. Reproduction or distribution of this information is strictly prohibited without the prior written consent of CXT Incorporated. By allowing use of this information, CXT Incorporated grants no warranty, express or implied, including a warranty of merchantability or of fitness for a particular purpose.

CXT Incorporated			
DATE	REVISION	APPROVAL	DATE
SCALE	1/8" = 1'-0"	DATE	04-28-08
DRAWN		FILE NO.	PD-MNPOB
CHECKED		PLOT	32

INTERIOR ELEVATIONS

DWG NO.	SHEET	REV.
M-06		