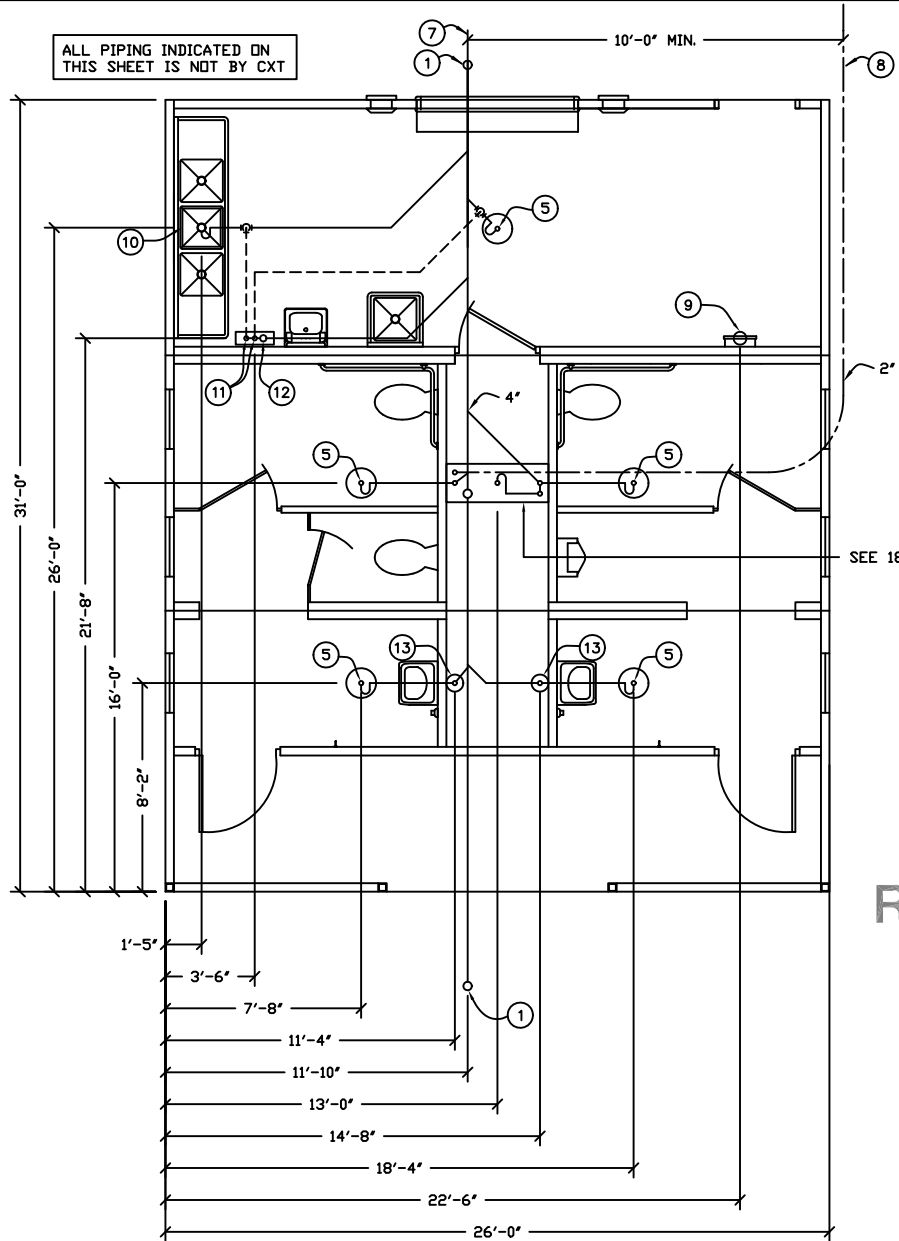


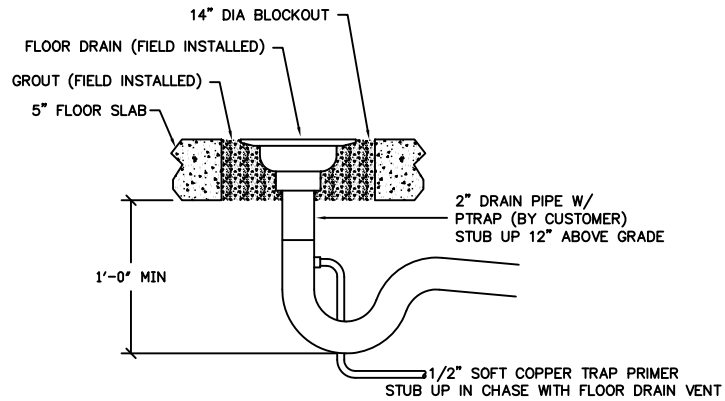
THIS DRAWING IS SUPPLIED FOR REFERENCE ONLY. PLEASE CONTACT CXT ENGINEERING DEPARTMENT FOR BUILDING SPECIFIC CONTROLLED DOCUMENTS PRIOR TO ANY FIELD WORK.



FLOOR DRAIN BLOCKOUTS & BELOW FLOOR PIPING

PIPING LEGEND

- BELOW FLOOR WASTE PIPING SCH 40 ABS TYPE DWV
- - - 2" TYPE "K" ANNEALED "SOFT" COPPER WATER SERVICE
- - - - - BELOW FLOOR VENT PIPING SCH 40 ABS TYPE DWV



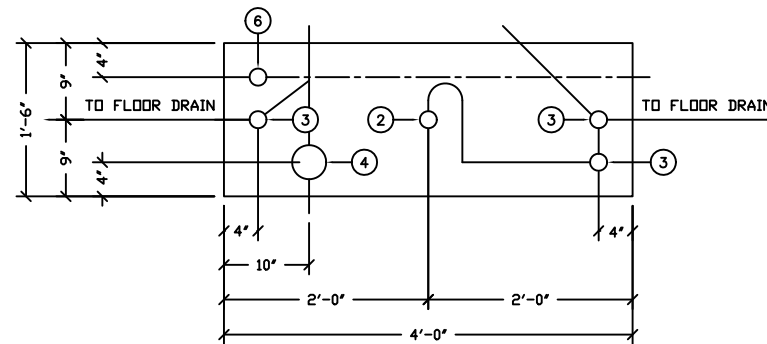
FLOOR DRAIN DETAIL

BELOW FLOOR PIPING - KEY NOTES

1. 4" CLEAN OUT TO GRADE.
2. 2" FLOOR DRAIN. FIELD INSTALLED TRAP PRIMER SYSTEM IF REQUIRED BY AUTHORITY HAVING JURISDICTION. (1'-6"x4'-0" BLOCKOUT)
3. 2" VENT PIPES EXTENDED 12' ABOVE FINISHED FLOOR LEVEL, PROVIDE TEST PLUG. (1'-6"x4'-0" BLOCKOUT)
4. 4" WASTE PIPE EXTENDED 12' ABOVE FINISHED FLOOR LEVEL, PROVIDE TEST PLUG. (1'-6"x4'-0" BLOCKOUT)
5. 2" FLOOR DRAIN. FIELD INSTALLED TRAP PRIMER SYSTEM IF REQUIRED BY AUTHORITY HAVING JURISDICTION. (14" DIA BLOCKOUT)
6. 2" TYPE K ANNEALED "SOFT" COPPER WATER SERVICE EXTENDED 12' ABOVE FINISHED FLOOR LEVEL, PROVIDE CAP AT END. (1'-6"x4'-0" BLOCKOUT)
7. 30" MIN. BURY, PROVIDE TRACER TAPE.
8. MIN. BURY PER LOCAL REQUIREMENTS TO PROTECT AGAINST FREEZING AND DAMAGE.
9. ELECTRICAL STUB UP, (6" DIA BLOCKOUT)
10. 2" FLOOR SINK (1'-6"x1'-6" BLOCKOUT).
11. 2" VENT PIPES EXTENDED 12' ABOVE FINISHED FLOOR LEVEL, PROVIDE TEST PLUGS (6"x18" BLOCKOUT).
12. 3" WASTE PIPE EXTENDED 12' ABOVE FINISHED FLOOR LEVEL, PROVIDE TEST PLUG. (6"x18" BLOCKOUT).
13. 2" VENT PIPES EXTENDED 12' ABOVE FINISHED FLOOR LEVEL, PROVIDE TEST PLUG. (8" Ø BLOCKOUT)

FOR REFERENCE ONLY

SEE 18" x 48" BLOCKOUT DETAIL



18" x 48" BLOCKOUT DETAIL



PROJECT TITLE
MALIBU with PORCH
CXT STANDARD BUILDING

NOTICE
The information contained herein is proprietary and the exclusive property of CXT Incorporated. The information may only be used by the original recipient for the purpose intended. Reproduction or distribution of this information is strictly prohibited without the prior written consent of CXT Incorporated. By allowing use of this information, CXT Incorporated grants no warranty, express or implied, including a warranty of merchantability or of fitness for a particular purpose.

CXT Incorporated			
DATE	APPROVAL	DATE	DATE
SCALE 1/4"=1'-0"	FILE NO. PD-MBWP	DATE 04-28-08	DATE
DRAWN	FILE NO.	DATE	DATE
CHECKED	DATE	DATE	DATE

FLOOR DRAIN LOCATIONS & BELOW FLOOR PIPING

DWG NO. MB-WP-STUB	SHEET	REV.
--------------------	-------	------