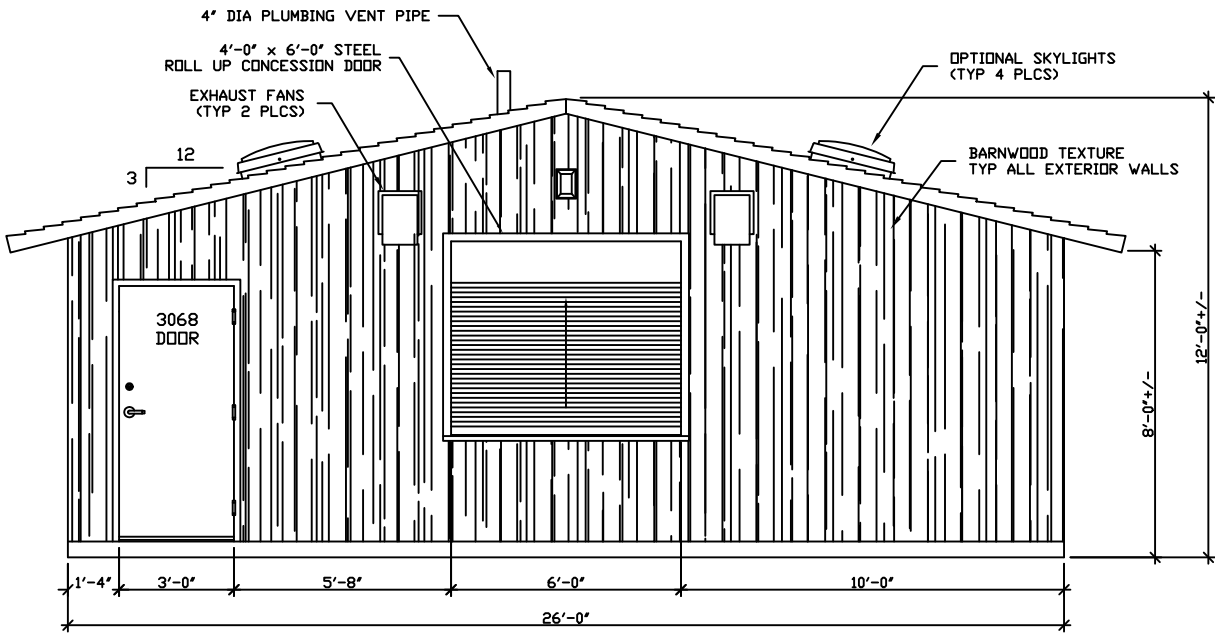


FRONT ELEVATION

FOR  
REFERENCE  
ONLY



REAR ELEVATION



**MALIBU**  
CXT STANDARD BUILDING

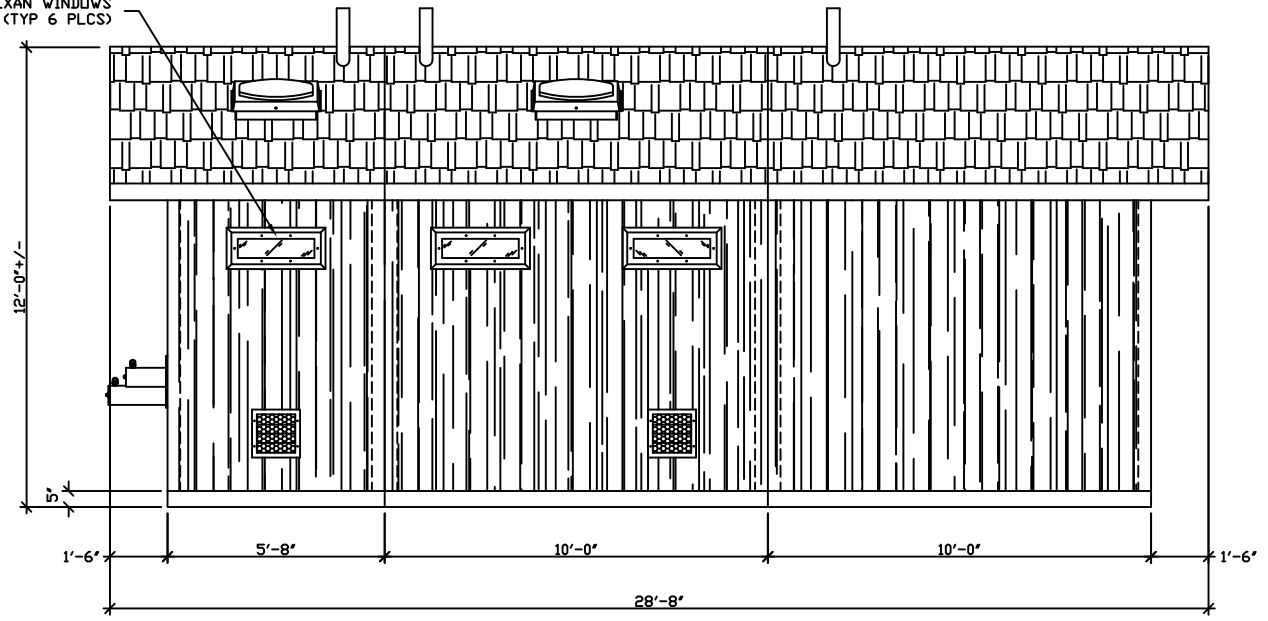
**NOTICE**  
The information contained herein is proprietary and the exclusive property of CXT Incorporated. The information may only be used by the original recipient for the purpose intended. Reproduction or distribution of this information is strictly prohibited without the prior written consent of CXT Incorporated. By allowing use of this information, CXT Incorporated grants no warranty, express or implied, including a warranty of merchantability or of fitness for a particular purpose.

REV.	DESCRIPTION	DATE	APPROVAL	SIGNATURE
SCALE	1/8" = 1'-0"	DATE	04-28-08	
DRAWN		FILE NO.	PD-MB04	
CHECKED		PLOT	32	

**BUILDING ELEVATIONS**

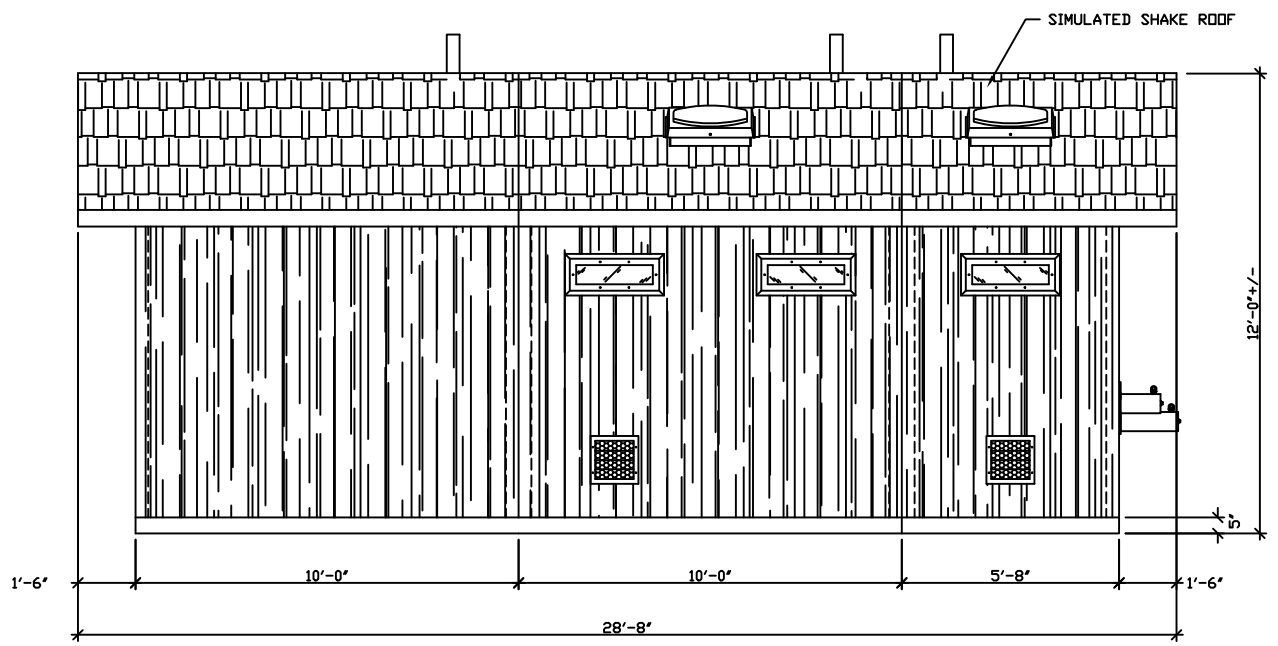
DWG NO.	SHEET	REV.
MB-04		

2'-4"x10' LEXAN WINDOWS  
(TYP 6 PLCS)



RH SIDE ELEVATION

FOR  
REFERENCE  
ONLY



LH SIDE ELEVATION



PROJECT TITLE  
**MALIBU**  
CXT STANDARD BUILDING

NOTICE  
The information contained herein is proprietary and the exclusive property of CXT Incorporated. The information may only be used by the original recipient for the purpose intended. Reproduction or distribution of this information is strictly prohibited without the prior written consent of CXT Incorporated. By allowing use of this information, CXT Incorporated grants no warranty, express or implied, including a warranty of merchantability or of fitness for a particular purpose.

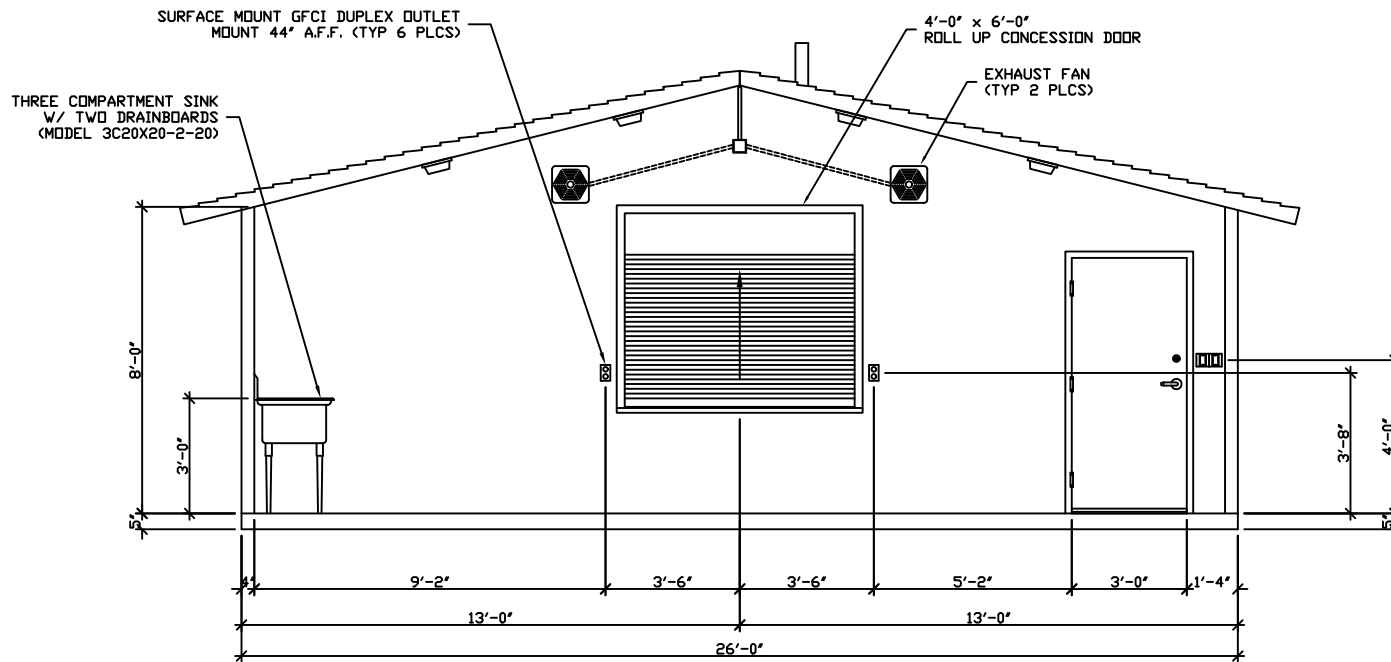
CXT Incorporated

SCALE	DATE	APPROVAL	DATE
3/8"=1'-0"	1-04-08		
DRAWN	FILE NO.	PD-MB05	
CHECKED	PLOT	32	

**BUILDING ELEVATIONS**

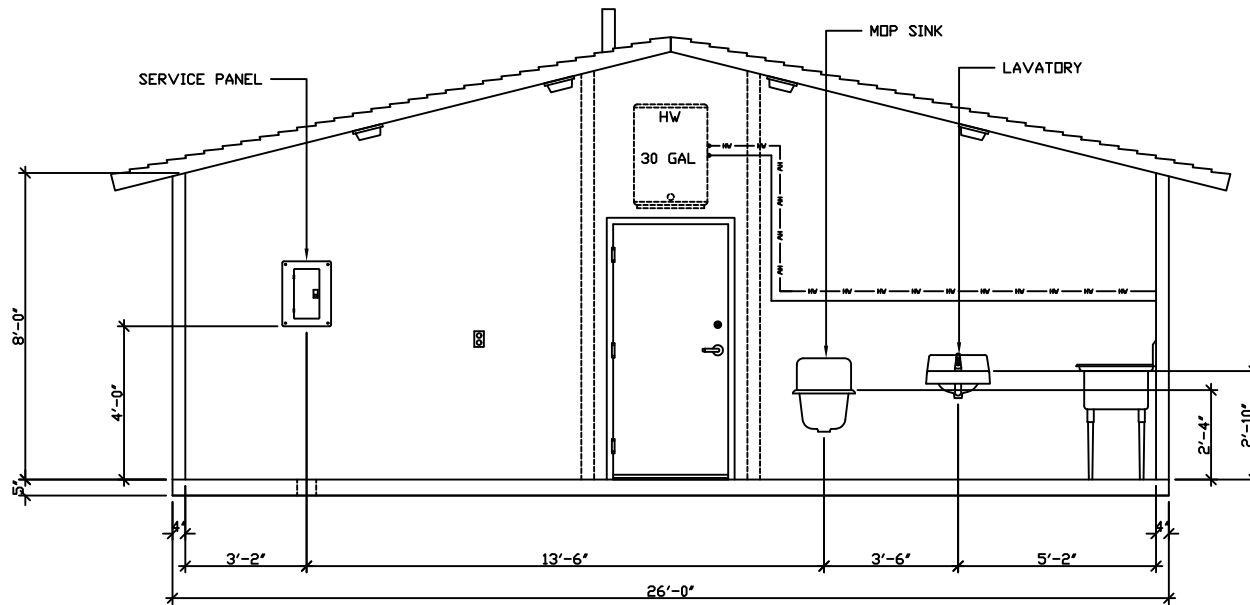
DWG NO.	SHEET	REV.
MB-05		





CONCESSION FRONT WALL INTERIOR ELEVATION

FOR  
REFERENCE  
ONLY



CONCESSION BACK WALL INTERIOR ELEVATION



PROJECT TITLE  
**MALIBU**  
CXT STANDARD BUILDING

NOTICE  
The information contained herein is proprietary and the exclusive property of CXT Incorporated. The information may only be used by the original recipient for the purpose intended. Reproduction or distribution of this information is strictly prohibited without the prior written consent of CXT Incorporated. By allowing use of this information, CXT Incorporated grants no warranty, express or implied, including a warranty of merchantability or of fitness for a particular purpose.

REV.	DESCRIPTION	APPROVAL	DATE
SCALE	1 3/8" = 1'-0"	DATE	04-28-08
DRAWN	FILE NO.	PD-MB07	
CHECKED	PLOT	32	

<b>CONCESSION INTERIOR ELEVATIONS</b>	
DWG NO. <b>MB-07</b>	SHEET REV.