

FOR  
REFERENCE  
ONLY

3808 N. Sullivan Bldg. #7 Spokane, WA 99216



901 N. Highway 77 Hillsboro, TX 78645

PROJECT NAME

MALIBU

CXT STANDARD BUILDING

NOTICE

The information contained herein is proprietary and the exclusive property of CXT Incorporated. The information may only be used by the original recipient for the purpose intended. Reproduction or distribution of this information is strictly prohibited without the prior written consent of CXT Incorporated. By viewing use of this information, CXT Incorporated grants no warranty, express or implied, including a warranty of merchantability or of fitness for a particular purpose.

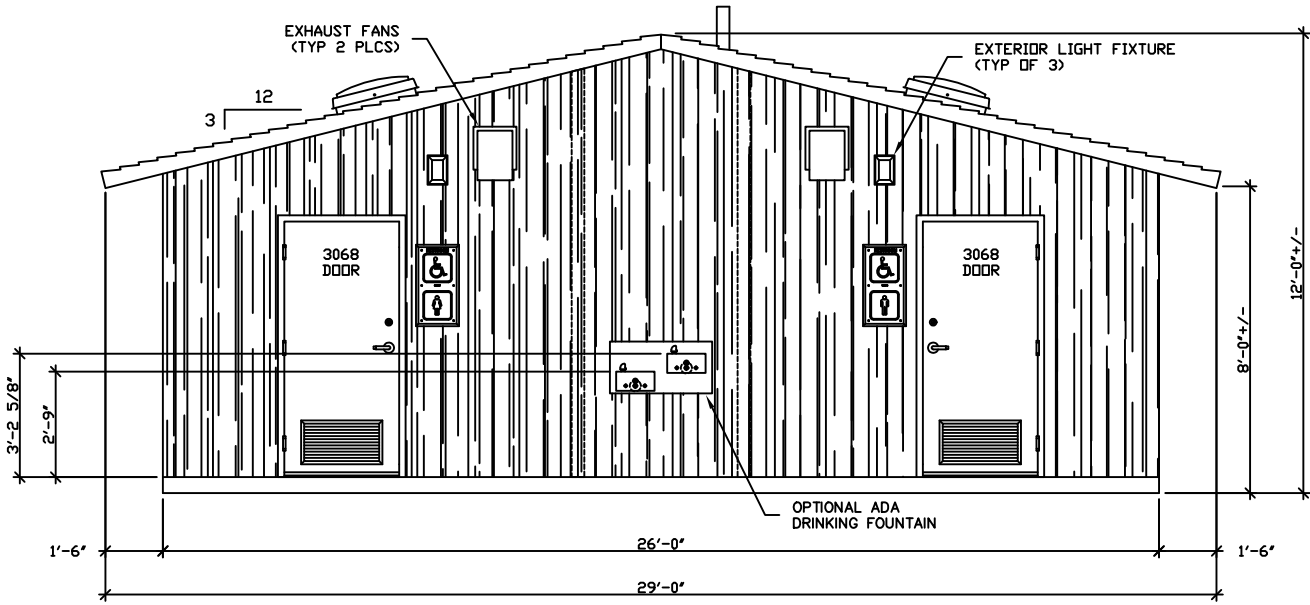
CXT Incorporated

SCALE	1/4"=1'-0"	DATE	02-11-08
DRAWN	D BRESLER	FILE NO.	PO-MB03
CHECKED		PLOT	48

FLOOR PLAN

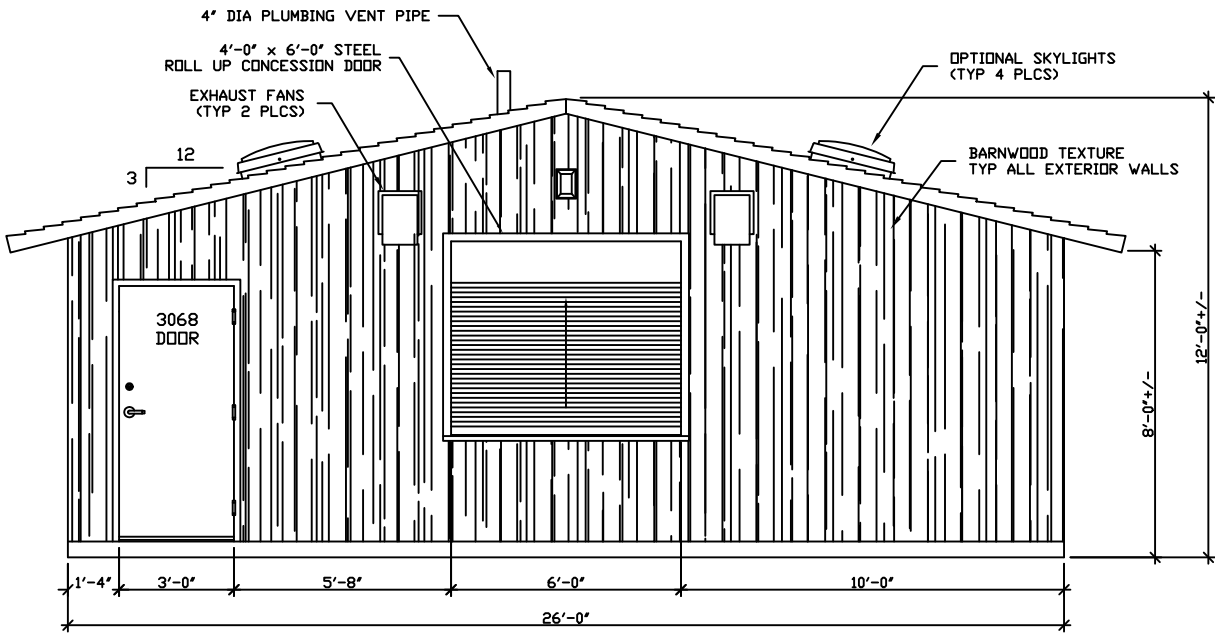
DWG NO. SHEET REV.

MB-03



FRONT ELEVATION

FOR  
REFERENCE  
ONLY



REAR ELEVATION



**MALIBU**  
CXT STANDARD BUILDING

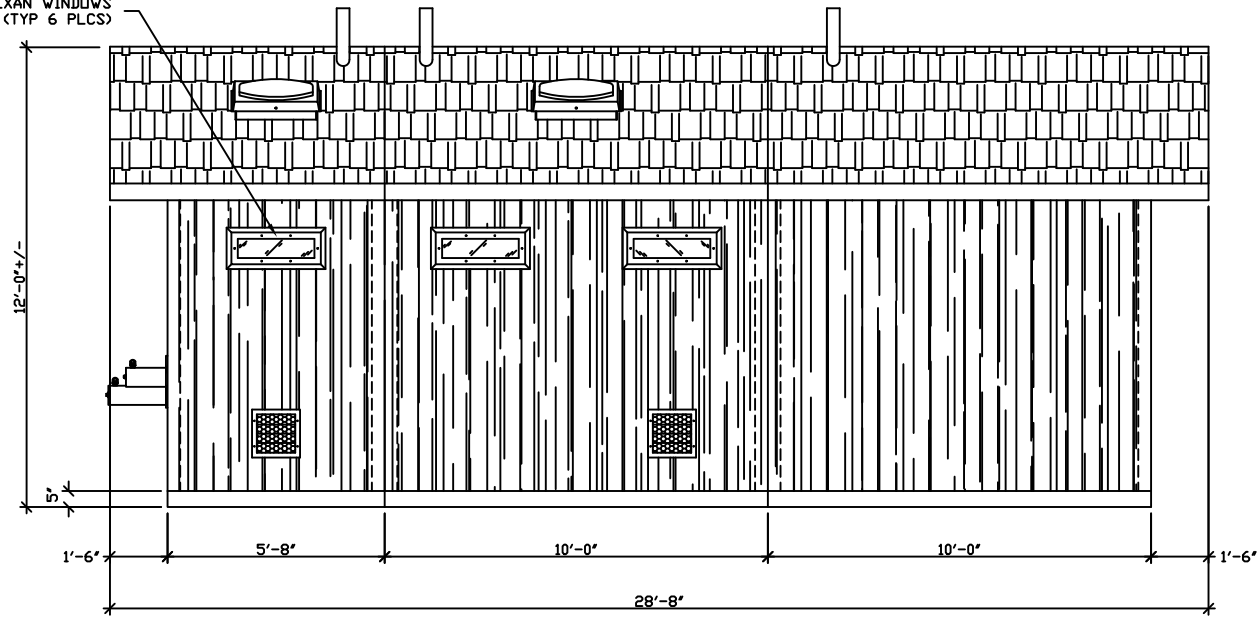
**NOTICE**  
The information contained herein is proprietary and the exclusive property of CXT Incorporated. The information may only be used by the original recipient for the purpose intended. Reproduction or distribution of this information is strictly prohibited without the prior written consent of CXT Incorporated. By allowing use of this information, CXT Incorporated grants no warranty, express or implied, including a warranty of merchantability or of fitness for a particular purpose.

DATE	DESCRIPTION	APPROVAL	SIGNATURE
SCALE	1/8" = 1'-0"	DATE	04-28-08
DRAWN	FILE NO.	PD-MB04	
CHECKED	PLOT	32	

**BUILDING ELEVATIONS**

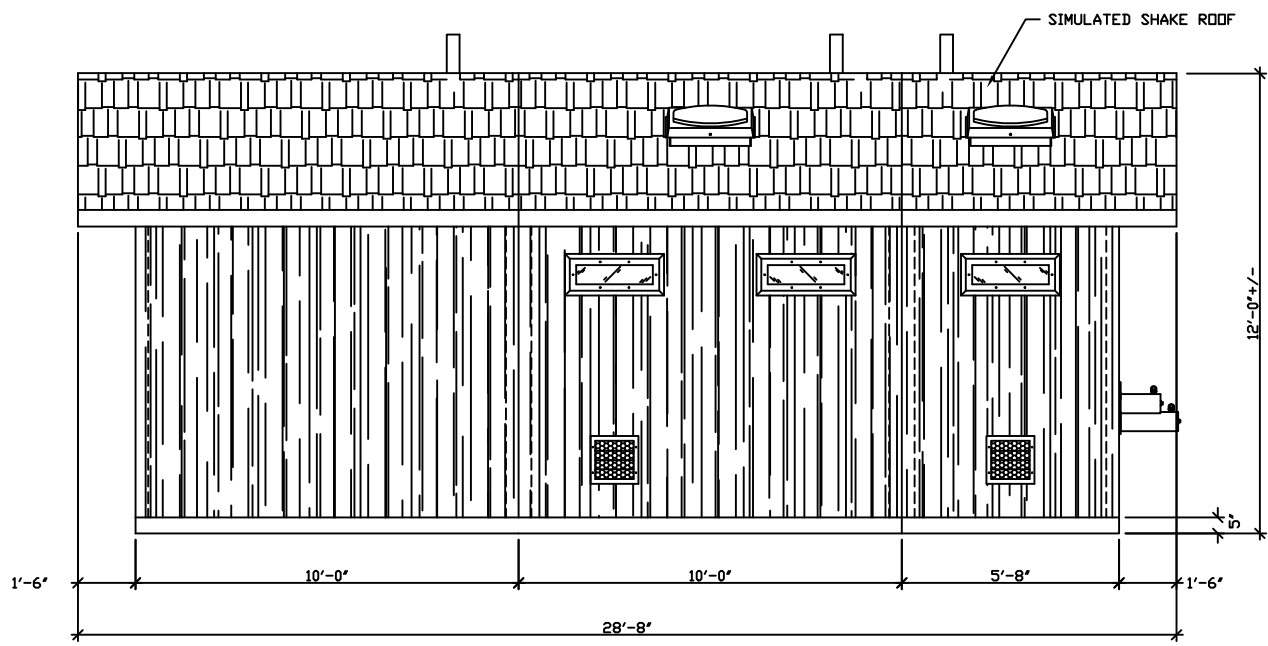
DWG NO.	SHEET	REV.
MB-04		

2'-4"x10' LEXAN WINDOWS  
(TYP 6 PLCS)



RH SIDE ELEVATION

FOR  
REFERENCE  
ONLY



LH SIDE ELEVATION



PROJECT TITLE  
**MALIBU**  
CXT STANDARD BUILDING

NOTICE  
The information contained herein is proprietary and the exclusive property of CXT Incorporated. The information may only be used by the original recipient for the purpose intended. Reproduction or distribution of this information is strictly prohibited without the prior written consent of CXT Incorporated. By allowing use of this information, CXT Incorporated grants no warranty, express or implied, including a warranty of merchantability or of fitness for a particular purpose.

CXT Incorporated

SCALE	DATE	APPROVAL	DATE
3/8"=1'-0"			
DRAWN	FILE NO.	PD-MB05	
CHECKED	PLOT	32	

**BUILDING ELEVATIONS**

DWG NO. <b>MB-05</b>	SHEET	REV.
-------------------------	-------	------

FOR  
REFERENCE  
ONLY

VANDAL RESISTANT WALL HUNG  
2-BULB 4' FLOURECENT LIGHT FIXTURE  
OCCUPANCY SENSOR ACTIVATED  
(240-CP-2-32FL-T8-HPF-120-FNL)  
9W NIGHT LIGHT TO BE PHOTOCCELL ACTIVATED

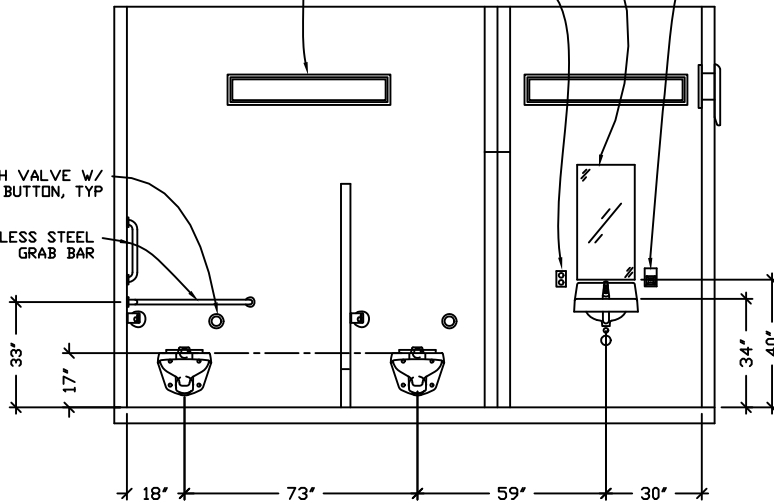
18"x36" SS MIRROR

HAND DRYER - FASTAIRE REMOTE  
POWER MODEL - HD03  
AS MFR. BY HUMPHREY, INC.

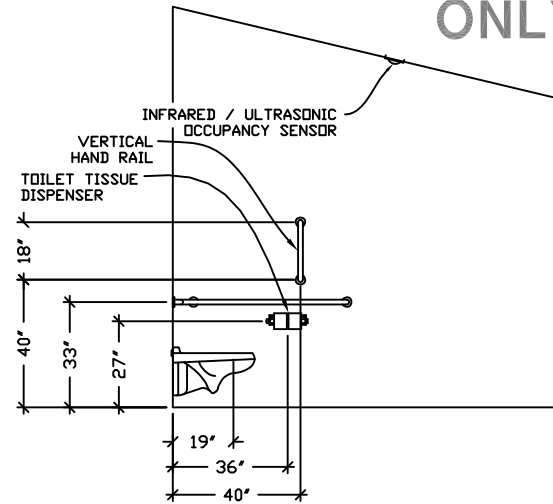
DUPLEX OUTLET

CONCEALED TYPE FLUSH VALVE W/  
PUSH BUTTON, TYP

1 1/2" STAINLESS STEEL  
GRAB BAR



INTERIOR ELEVATION - WOMEN'S RESTROOM



INTERIOR ELEVATION - MEN'S RESTROOM  
WOMENS OPPOSITE HAND

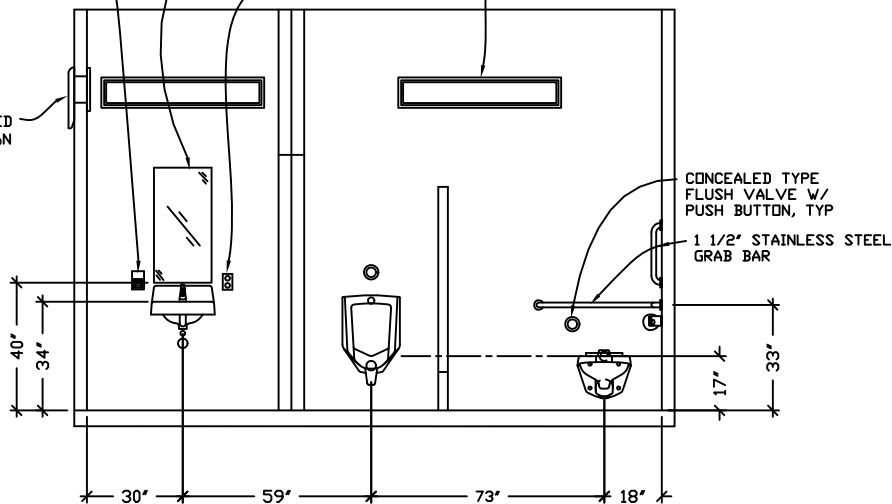
HAND DRYER - FASTAIRE REMOTE  
POWER MODEL - HD03  
AS MFR. BY HUMPHREY, INC.

18"x36" SS MIRROR

VANDAL RESISTANT WALL HUNG  
2-BULB 4' FLOURECENT LIGHT FIXTURE  
OCCUPANCY SENSOR ACTIVATED  
(240-CP-2-32FL-T8-HPF-120-FNL)  
9W NIGHT LIGHT TO BE PHOTOCCELL ACTIVATED

DUPLEX OUTLET

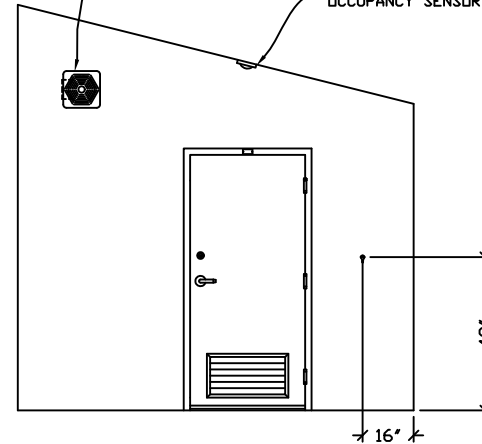
OCCUPANCY SENSOR OPERATED  
EXHAUST FAN



INTERIOR ELEVATION - MEN'S RESTROOM

OCCUPANCY SENSOR-OPERATED  
EXHAUST FAN

INFRARED / ULTRASONIC  
OCCUPANCY SENSOR



INTERIOR ELEVATION - WOMEN'S RESTROOM  
MENS OPPOSITE HAND



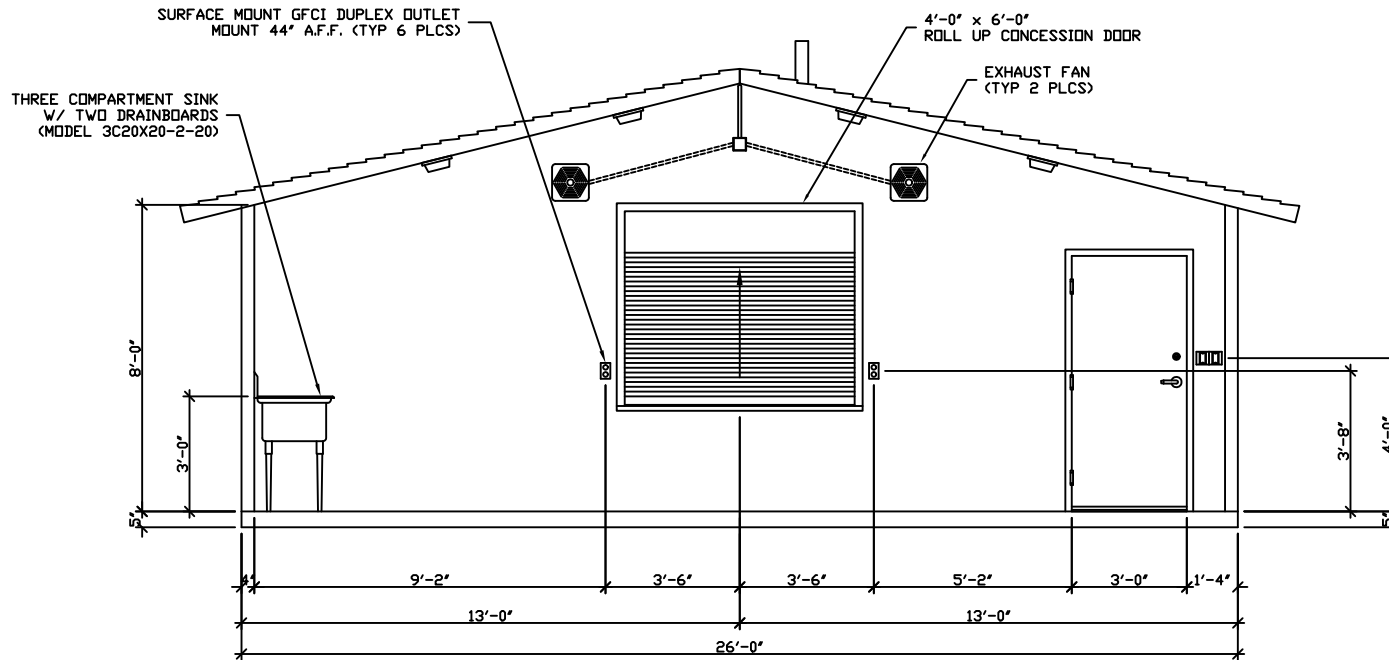
PROJECT TITLE  
**MALIBU**  
CXT STANDARD BUILDING

NOTICE  
The information contained herein is proprietary and the exclusive property of CXT Incorporated. The information may only be used by the original recipient for the purpose intended. Reproduction or distribution of this information is strictly prohibited without the prior written consent of CXT Incorporated. By allowing use of this information, CXT Incorporated grants no warranty, express or implied, including a warranty of merchantability or of fitness for a particular purpose.

CXT Incorporated			
REV.	DESCRIPTION	APPROVAL	DATE
SCALE	1/8" = 1'-0"	DATE	04-28-08
DRAWN	FILE NO.	PD-MB06	
CHECKED	PLOT	32	

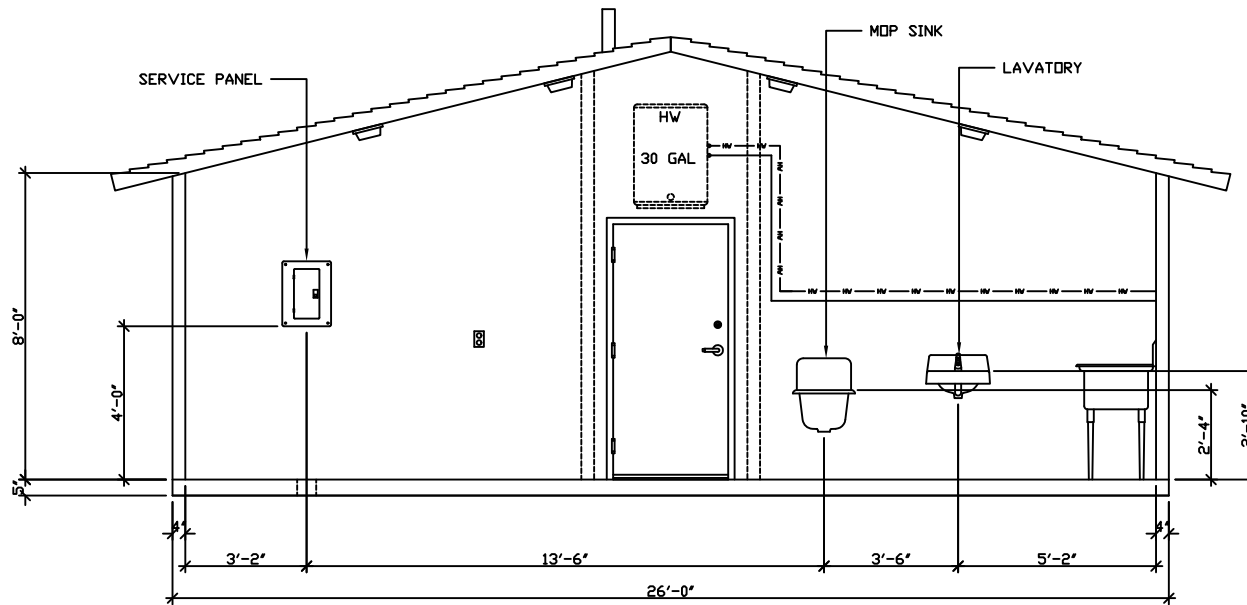
INTERIOR ELEVATIONS

DWG NO.	SHEET	REV.
MB-06		



CONCESSION FRONT WALL INTERIOR ELEVATION

FOR  
REFERENCE  
ONLY



CONCESSION BACK WALL INTERIOR ELEVATION



PROJECT TITLE  
**MALIBU**  
CXT STANDARD BUILDING

NOTICE  
The information contained herein is proprietary and the exclusive property of CXT Incorporated. The information may only be used by the original recipient for the purpose intended. Reproduction or distribution of this information is strictly prohibited without the prior written consent of CXT Incorporated. By allowing use of this information, CXT Incorporated grants no warranty, express or implied, including a warranty of merchantability or of fitness for a particular purpose.

REV.	DESCRIPTION	APPROVAL	DATE
SCALE	1 3/8" = 1'-0"	DATE	04-28-08
DRAWN	FILE NO.	PD-MB07	
CHECKED	PLOT	32	

CONCESSION  
INTERIOR ELEVATIONS

DWG NO.	SHEET	REV.
MB-07		