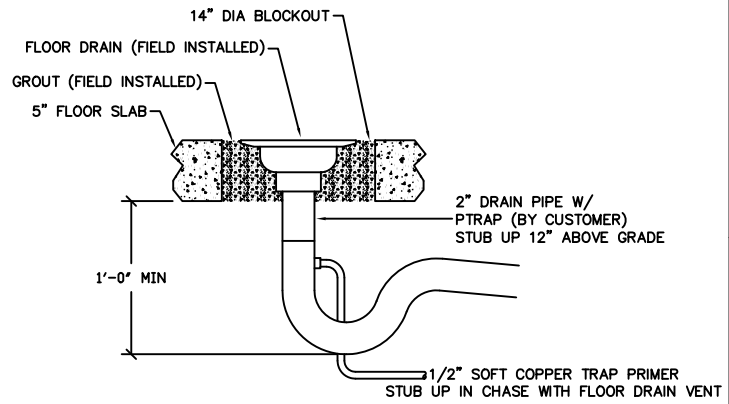


THIS DRAWING IS SUPPLIED FOR REFERENCE ONLY. PLEASE CONTACT CXT ENGINEERING DEPARTMENT FOR BUILDING SPECIFIC CONTROLLED DOCUMENTS PRIOR TO ANY FIELD WORK.

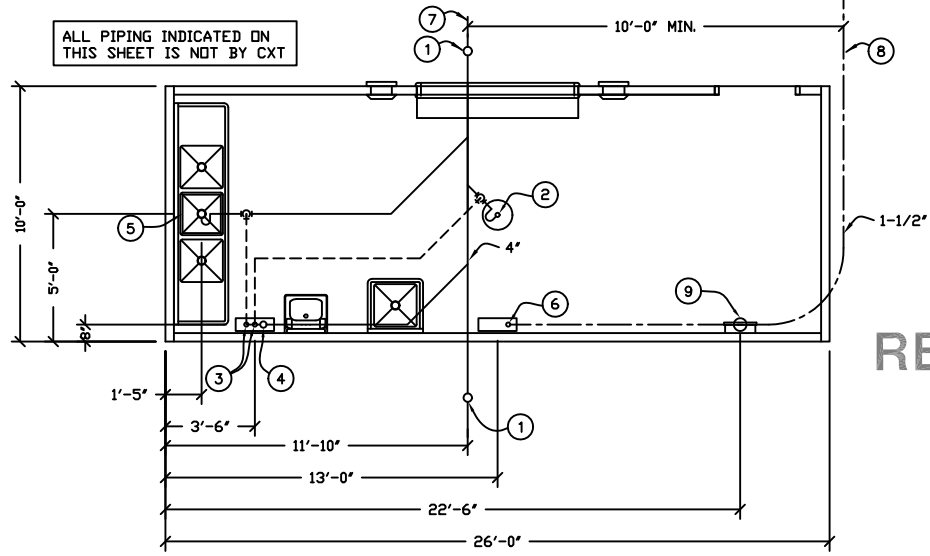


FLOOR DRAIN DETAIL

BELOW FLOOR PIPING - KEY NOTES

1. 4" CLEAN OUT TO GRADE.
2. 2" FLOOR DRAIN, FIELD INSTALLED TRAP PRIMER SYSTEM IF REQUIRED BY AUTHORITY HAVING JURISDICTION. (14" DIA BLOCKOUT)
3. 2" VENT PIPES EXTENDED 12" ABOVE FINISHED FLOOR LEVEL, PROVIDE TEST PLUG. (6"x18" BLOCKOUT)
4. 3" WASTE PIPE EXTENDED 12" ABOVE FINISHED FLOOR LEVEL, PROVIDE TEST PLUG. (6"x18" BLOCKOUT)
5. 2" FLOOR SINK (1'-6"x1'-6" BLOCKOUT).
6. 1-1/2" TYPE K ANNEALED "SOFT" COPPER WATER SERVICE EXTENDED 12" ABOVE FINISHED FLOOR LEVEL, PROVIDE CAP AT END. (6"x18" BLOCKOUT)
7. 30" MIN. BURY, PROVIDE TRACER TAPE.
8. MIN. BURY PER LOCAL REQUIREMENTS TO PROTECT AGAINST FREEZING AND DAMAGE.
9. ELECTRICAL STUB UP, (6" DIA BLOCKOUT)

FOR REFERENCE ONLY



FLOOR DRAIN BLOCKOUTS & BELOW FLOOR PIPING

PIPING LEGEND

- BELOW FLOOR WASTE PIPING SCH 40 ABS TYPE DWV
- - - 2" TYPE "K" ANNEALED "SOFT" COPPER WATER SERVICE
- - - - - BELOW FLOOR VENT PIPING SCH 40 ABS TYPE DWV



FONTANA
CXT STANDARD BUILDING

NOTICE
The information contained herein is proprietary and the exclusive property of CXT Incorporated. The information may only be used by the original recipient for the purpose intended. Reproduction or distribution of this information is strictly prohibited without the prior written consent of CXT Incorporated. By allowing use of this information, CXT Incorporated grants no warranty, express or implied, including a warranty of merchantability or of fitness for a particular purpose.

CXT Incorporated

SCALE	1/4" = 1'-0"	DATE	04-28-08
DRAWN		FILE NO.	PD-FT
CHECKED		PLOT	48

FLOOR DRAIN LOCATIONS & BELOW FLOOR PIPING	
DWG NO.	SHEET
FT-STUB	REV.