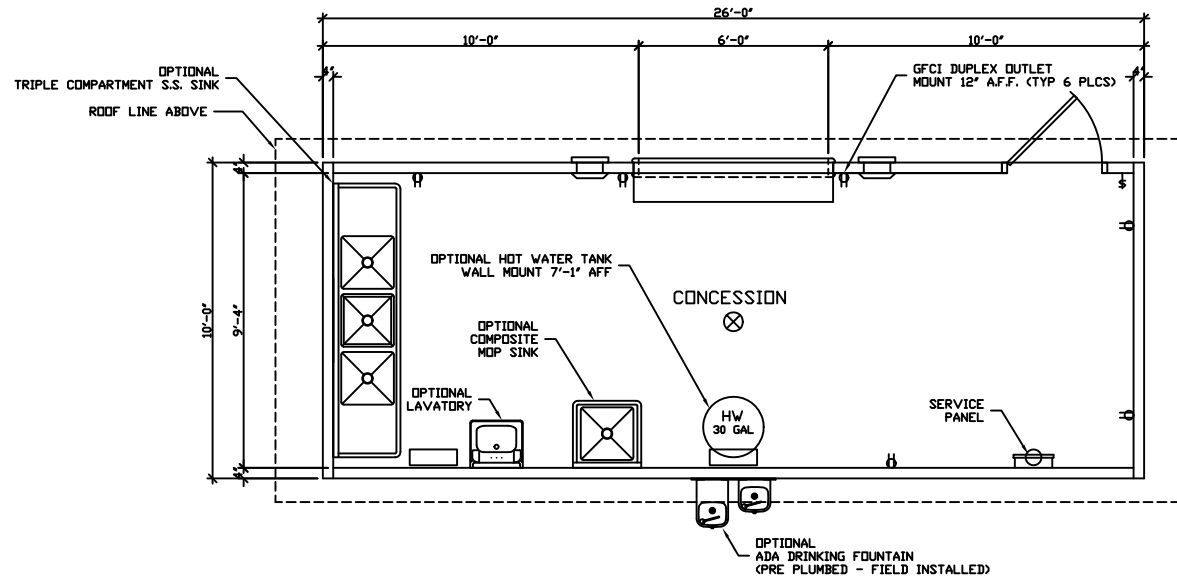


FOR
REFERENCE
ONLY



3808 N. Sullivan Bldg. #7 Spokane, WA 99216
CXT
 Precast Products
 901 N. Highway 77 Hillsboro, TX 78645

PROJECT NAME
FONTANA
 CXT STANDARD BUILDING

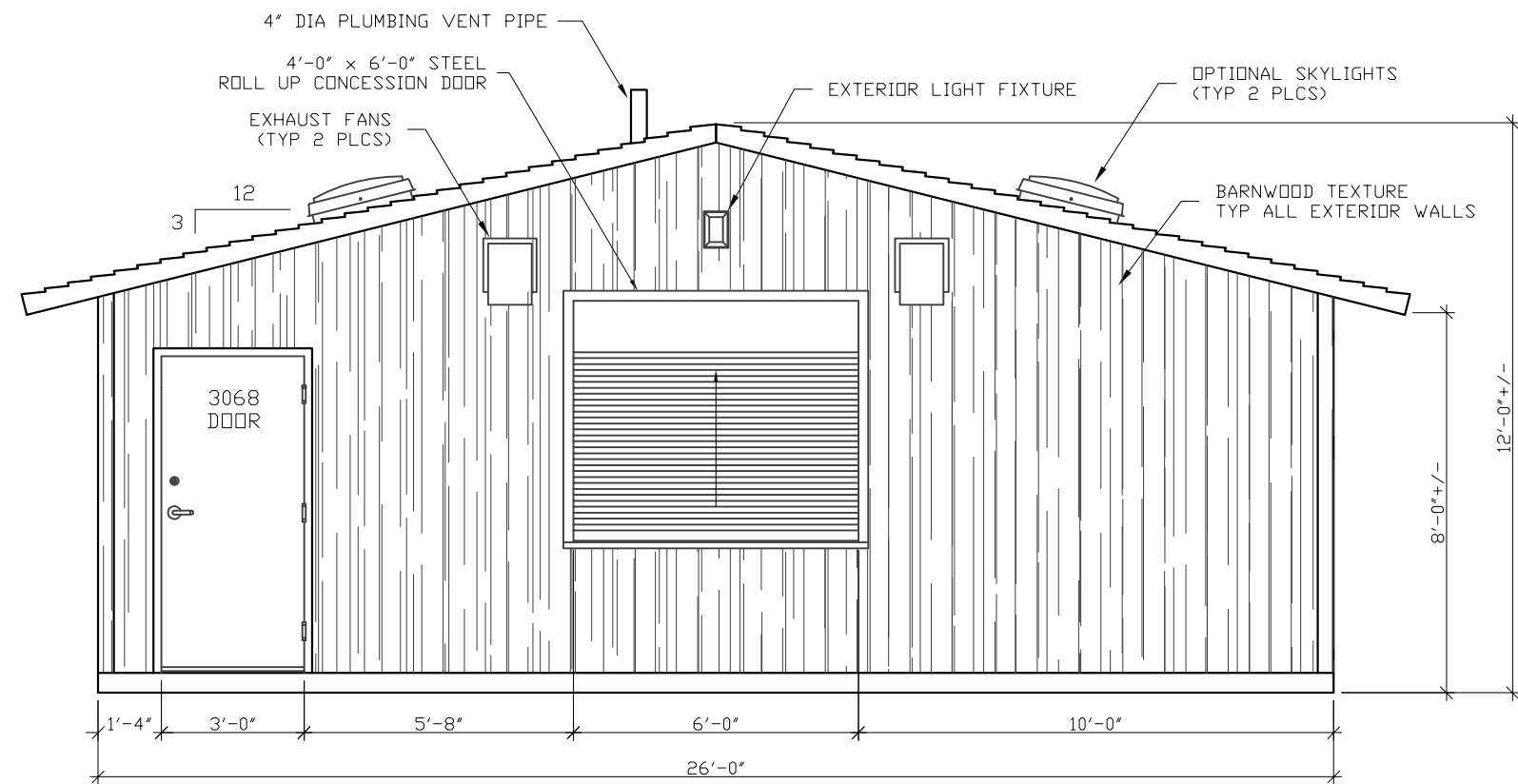
NOTICE
 The information contained herein is proprietary and the exclusive property of CXT Incorporated. The information may only be used by the original recipient for the purpose intended. Reproduction or distribution of this information is strictly prohibited without the prior written consent of CXT Incorporated. By allowing use of this information, CXT Incorporated grants no warranty, express or implied, including a warranty of merchantability or of fitness for a particular purpose.
 CXT Incorporated

DATE	BY	DESCRIPTION	REV.

SCALE: 1/4" = 1'-0" DATE: 02-11-08
 DRAWN: D. BRESLER FILE NO.: PD-FT-03
 CHECKED: PLOT 48

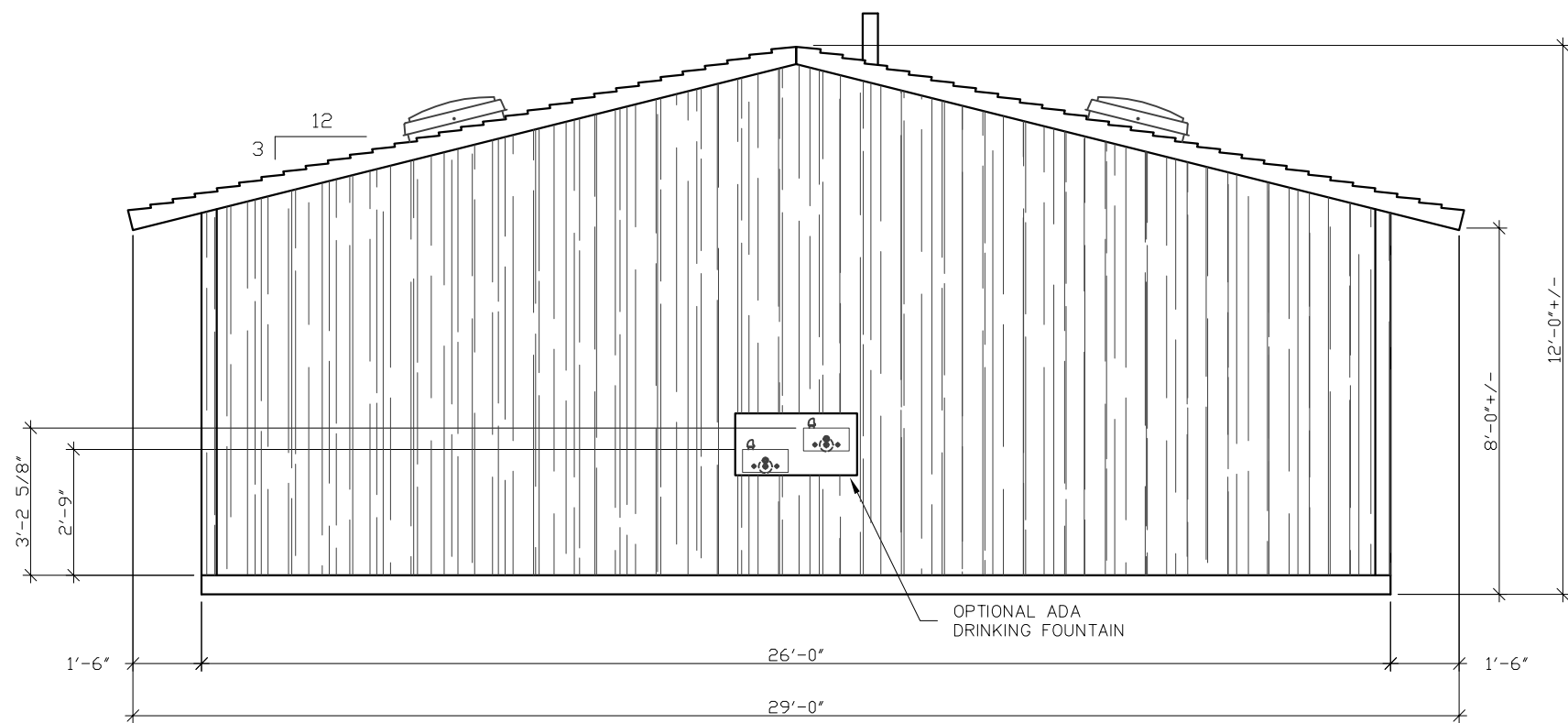
BUILDING ELEVATIONS

DWG NO.	SHEET	REV.
FT-03	1	



FRONT ELEVATION

FOR
 REFERENCE
 ONLY



REAR ELEVATION



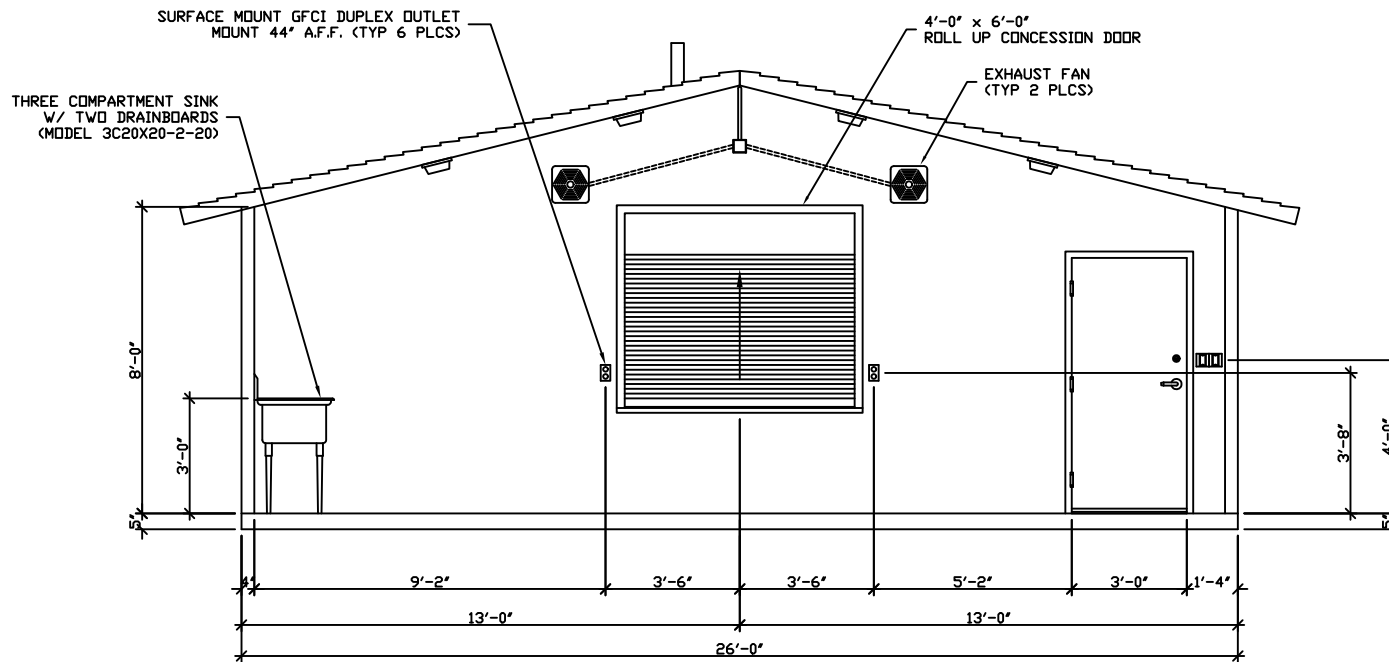
PROJECT TITLE
FONTANA
 CXT STANDARD BUILDING

NOTICE
 The information contained herein is proprietary and the exclusive property of CXT Incorporated. The information may only be used by the original recipient for the purpose intended. Reproduction or distribution of this information is strictly prohibited without the prior written consent of CXT Incorporated. By allowing use of this information, CXT Incorporated grants no warranty, express or implied, including a warranty of merchantability or of fitness for a particular purpose.
 CXT Incorporated

REV.	DESCRIPTION	APPROVAL	DATE
SCALE	3/8"=1'-0"	DATE	04-28-08
DRAWN		FILE NO.	PD-FT04
CHECKED		PLOT	32

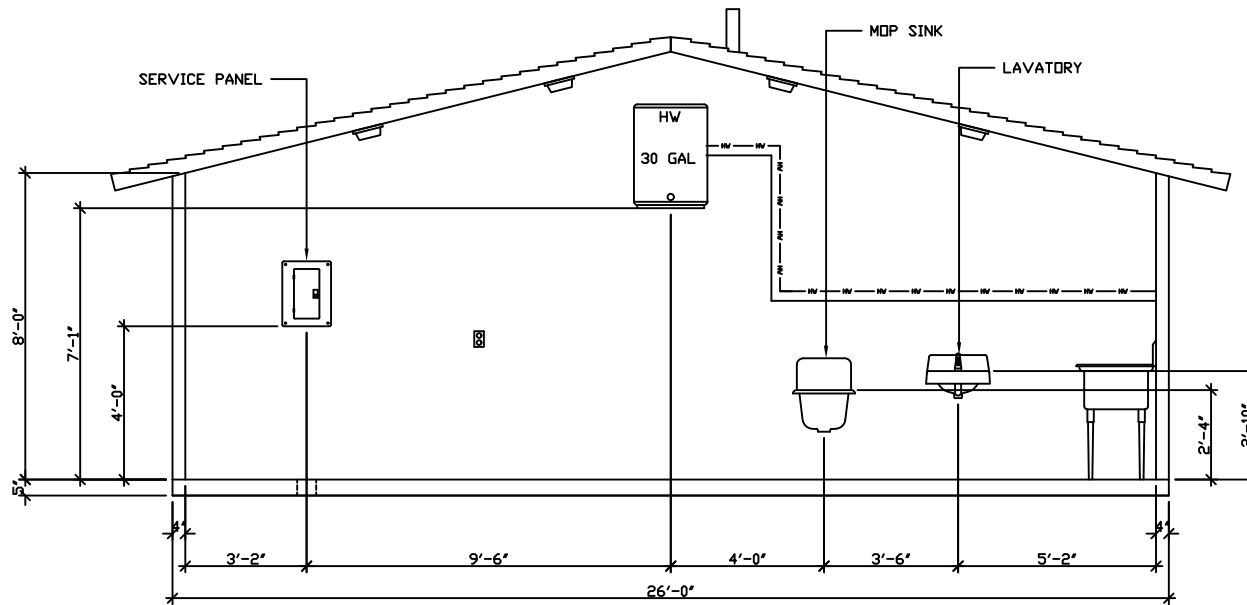
BUILDING ELEVATIONS

DWG NO.	SHEET	REV.
FT-04		



CONCESSION FRONT WALL INTERIOR ELEVATION

FOR
REFERENCE
ONLY



CONCESSION BACK WALL INTERIOR ELEVATION



PROJECT TITLE
FONTANA
CXT STANDARD BUILDING

NOTICE
The information contained herein is proprietary and the exclusive property of CXT Incorporated. The information may only be used by the original recipient for the purpose intended. Reproduction or distribution of this information is strictly prohibited without the prior written consent of CXT Incorporated. By allowing use of this information, CXT Incorporated grants no warranty, express or implied, including a warranty of merchantability or of fitness for a particular purpose.

REV.	DESCRIPTION	APPROVAL	DATE
SCALE	1 3/8" = 1'-0"	DATE	04-28-08
DRAWN	FILE NO.	PD	FT08
CHECKED	PLOT		32

CONCESSION INTERIOR ELEVATIONS	
DWG NO. FT-06	SHEET REV.