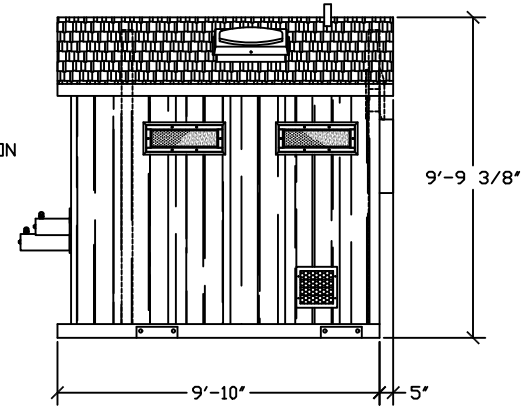
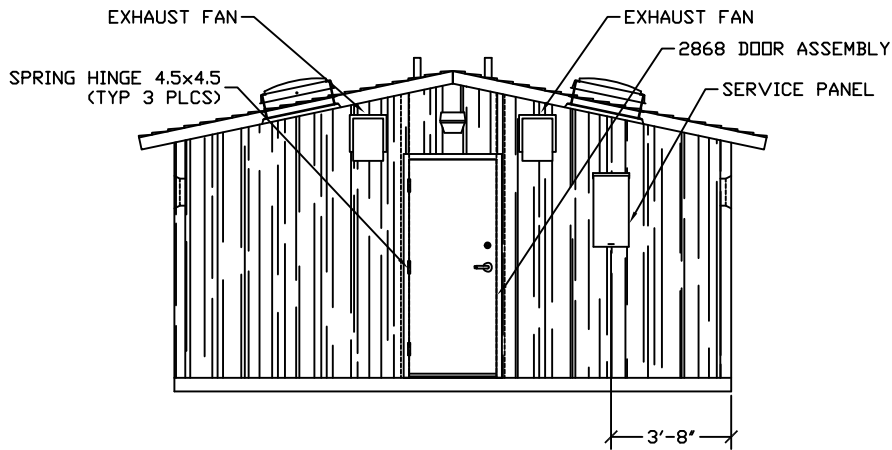


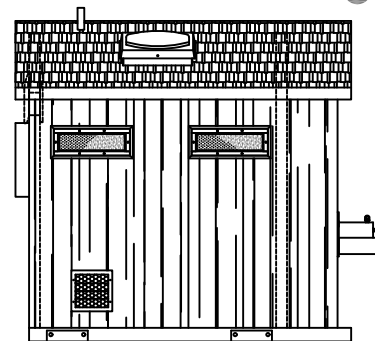
FRONT ELEVATION



RIGHT SIDE ELEVATION



REAR ELEVATION



LEFT SIDE ELEVATION

**FOR
REFERENCE
ONLY**

EMBEDDED MATERIALS			
ITEM	QTY	ITEM	QTY
SI-2	2		
SPRING HINGE 4.5x4.5	9		
3068 DOOR ASSEMBLY	2		
2868 DOOR ASSEMBLY	1		
ANCHOR NAIL 1/4x3/4	20		

CU. FT. CONC.	SQ. FT. W.W.F.	APPROXIMATE WEIGHT



PROJECT TITLE
CORTEZ
CXT STANDARD BUILDING

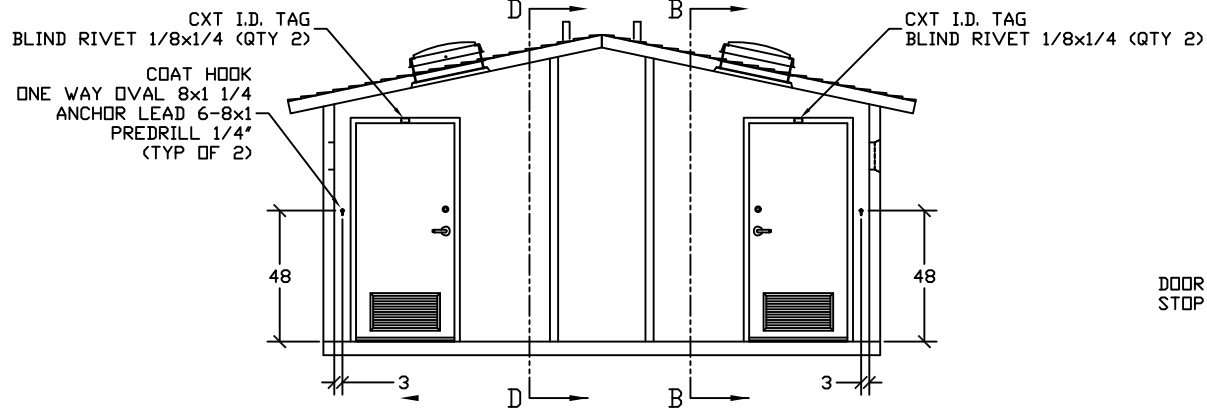
NOTICE
The information contained herein is proprietary and the exclusive property of CXT Incorporated. The information may only be used by the original recipient for the purpose intended. Reproduction or distribution of this information is strictly prohibited without the prior written consent of CXT Incorporated. By allowing use of this information, CXT Incorporated grants no warranty, express or implied, including a warranty of merchantability or of fitness for a particular purpose.

REV.	DESCRIPTION	APPROVAL	DATE

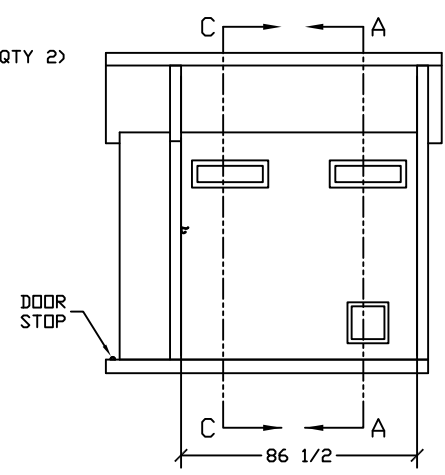
SCALE	1/4"=1'-0"	DATE	04-28-08
DRAWN		FILE NO.	PD-CZ02
CHECKED		PLOT	48

BUILDING ELEVATIONS

DWG NO.	SHEET	REV.
CZ-02		

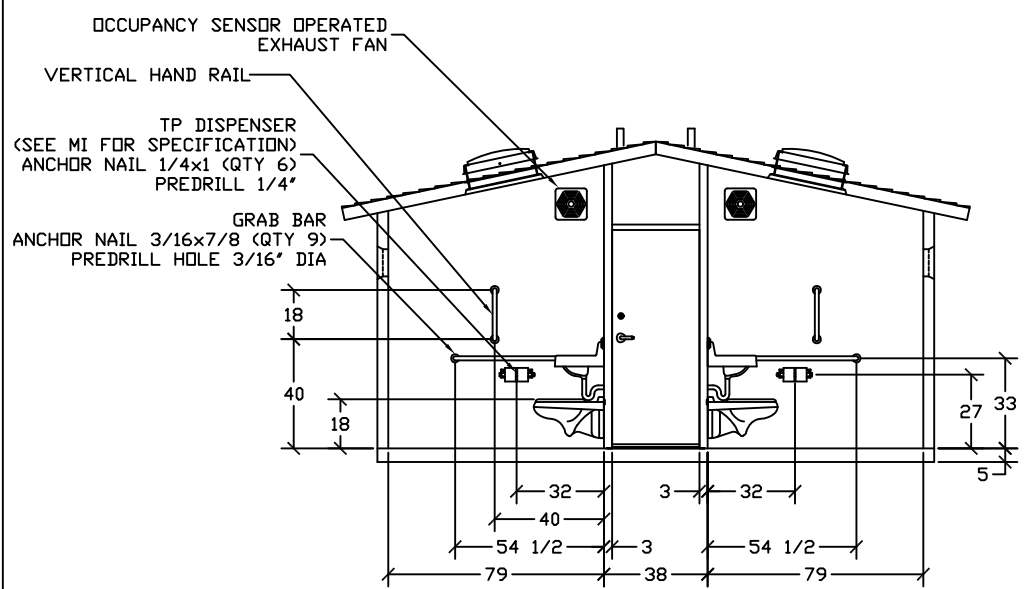


SECTION A - A

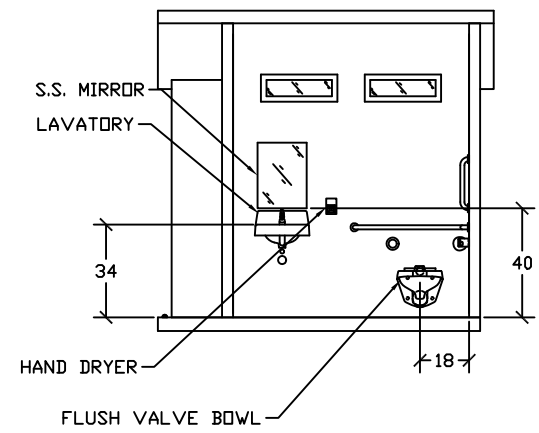


SECTION B - B

FOR
REFERENCE
ONLY



SECTION C - C



SECTION D - D

EMBEDDED MATERIALS			
ITEM	QTY	ITEM	QTY
BLIND RIVET 1/8x1/4	4		
GRAB BAR	2		
TP DISPENSER	2		
TOILET PAPER ROLL	4-6		
COAT HOOK	2		
DOOR STOP	2		
ONE WAY OVAL 8x1 1/4	4		
ANCHOR LEAD 6-8x1	4		
CXT I.D. TAG	2		
ANCHOR NAIL 1/4x1	12		
ANCHOR NAIL 1/4x3/4	8		
ANCHOR NAIL 3/16x7/8	18		
CU. FT. CONC.		SQ. FT. W.W.F.	APPROXIMATE WEIGHT



PROJECT TITLE
CORTEZ
CXT STANDARD BUILDING

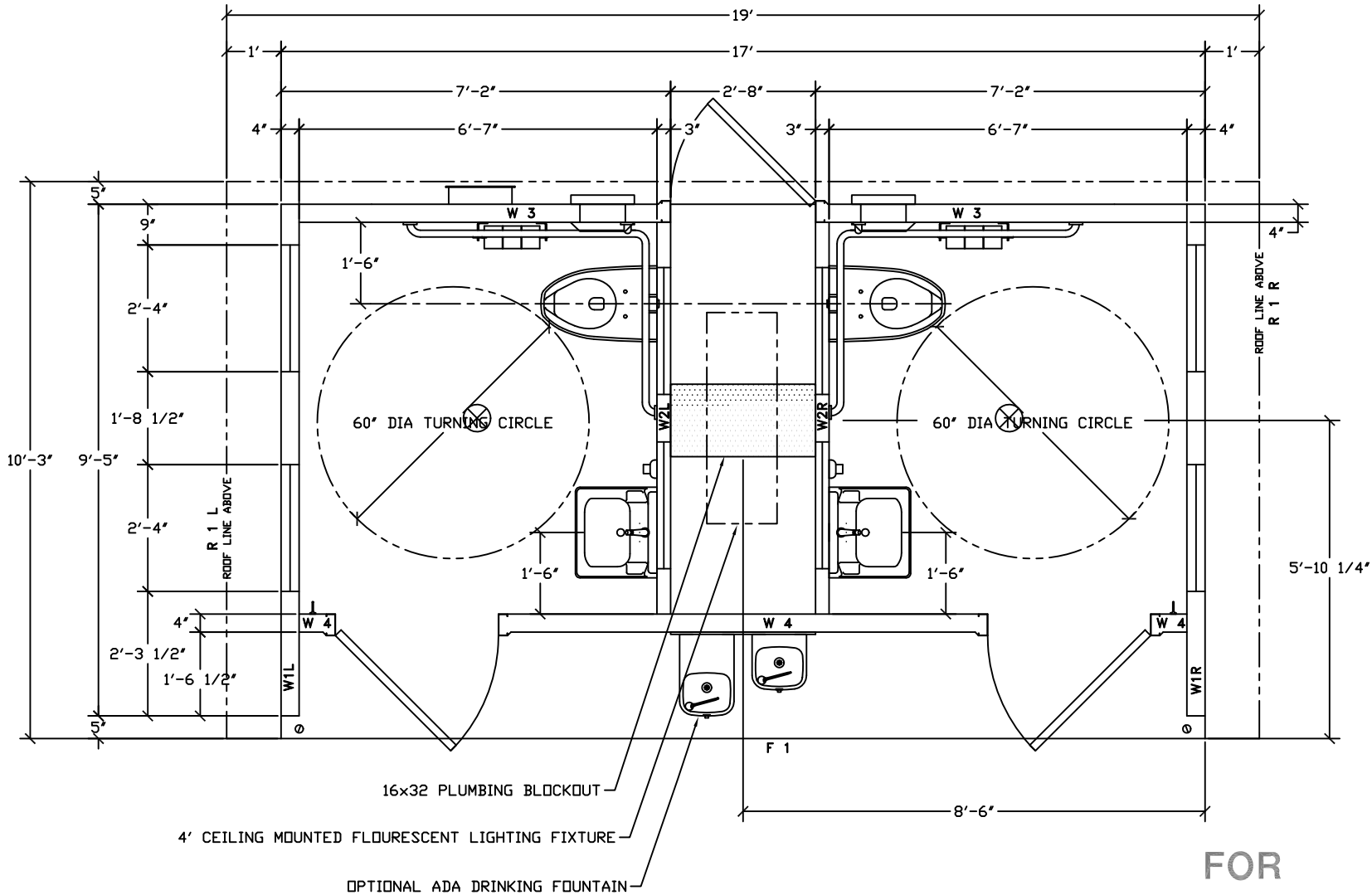
NOTICE
The information contained herein is proprietary and the exclusive property of CXT Incorporated. The information may only be used by the original recipient for the purpose intended. Reproduction or distribution of this information is strictly prohibited without the prior written consent of CXT Incorporated. By allowing use of this information, CXT Incorporated grants no warranty, express or implied, including a warranty of merchantability or of fitness for a particular purpose.

CXT Incorporated			

REV.	DESCRIPTION	APPROVAL	DATE
SCALE	1/4"=1'-0"	DATE	03-28-05
DRAWN	FILE NO.	PD-CZ03	
CHECKED	PLOT	48	

INTERIOR ELEVATIONS

DWG NO.	SHEET	REV.
CZ-03		



PROJECT TITLE
CORTEZ
CXT STANDARD BUILDING

NOTICE
The information contained herein is proprietary and the exclusive property of CXT Incorporated. The information may only be used by the original recipient for the purpose intended. Reproduction or distribution of this information is strictly prohibited without the prior written consent of CXT Incorporated. By allowing use of this information, CXT Incorporated grants no warranty, express or implied, including a warranty of merchantability or of fitness for a particular purpose.

CXT Incorporated

REV.	DESCRIPTION	APPROVAL	DATE
SCALE	1/2"=1'-0"	DATE	03-28-05
DRAWN	FILE NO.	PD-CZ04	
CHECKED	PLOT	24	

FLOOR PLAN

DWG NO.	SHEET	REV.
CZ-04		

FOR REFERENCE ONLY