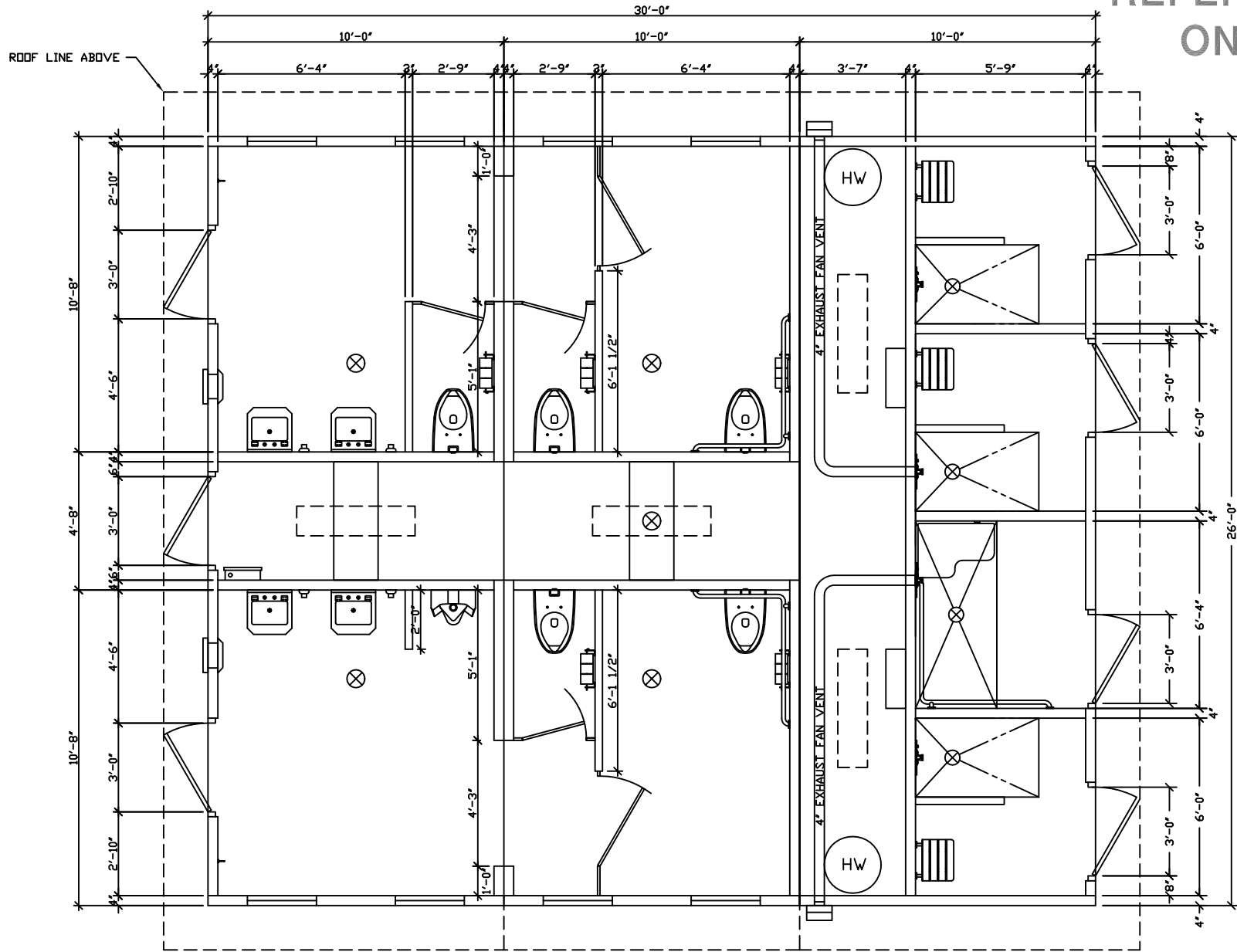


FOR
REFERENCE
ONLY



CHEYENNE
CXT STANDARD BUILDING

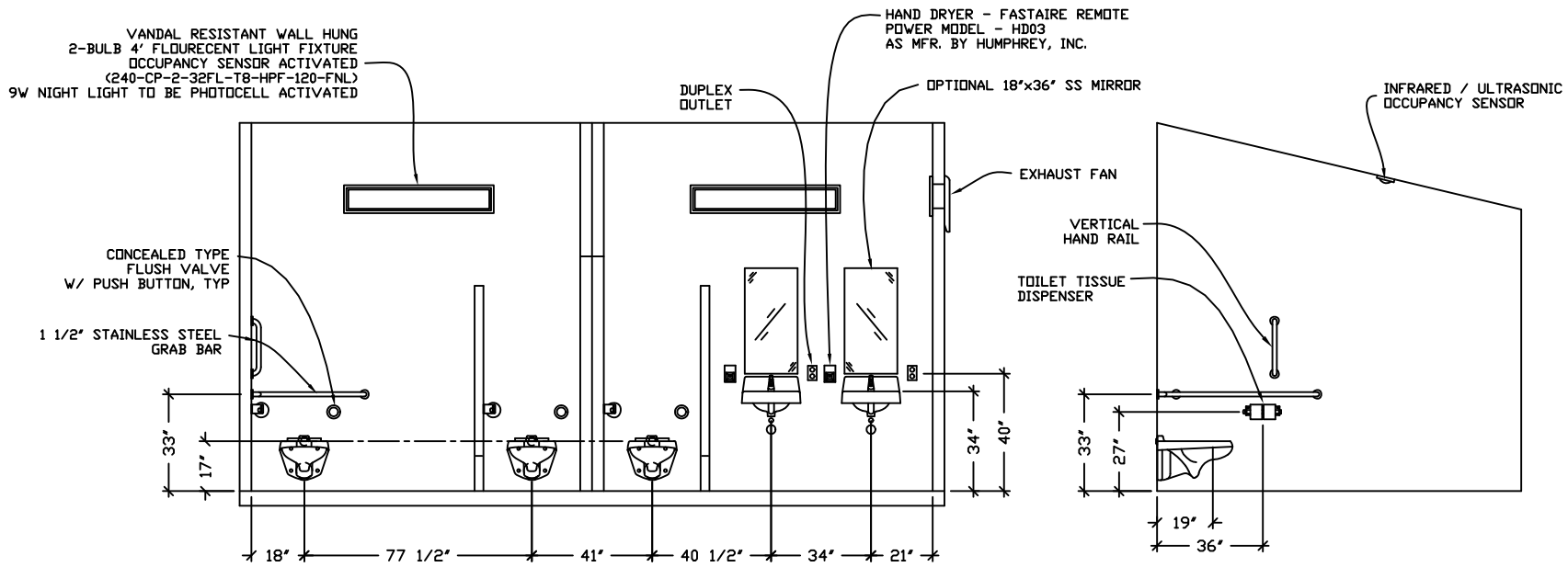
NOTICE
The information contained herein is proprietary and the exclusive property of CXT Incorporated. The information may only be used by the original recipient for the purpose intended. Reproduction or distribution of this information is strictly prohibited without the prior written consent of CXT Incorporated. By allowing use of this information, CXT Incorporated grants no warranty, express or implied, including a warranty of merchantability or of fitness for a particular purpose.

REV.	DESCRIPTION	DATE	APPROVAL	SIGN.

SCALE	3/8"=1'-0"	DATE	04-28-08
DRAWN		FILE NO.	PD-CH03
CHECKED		PLOT	32

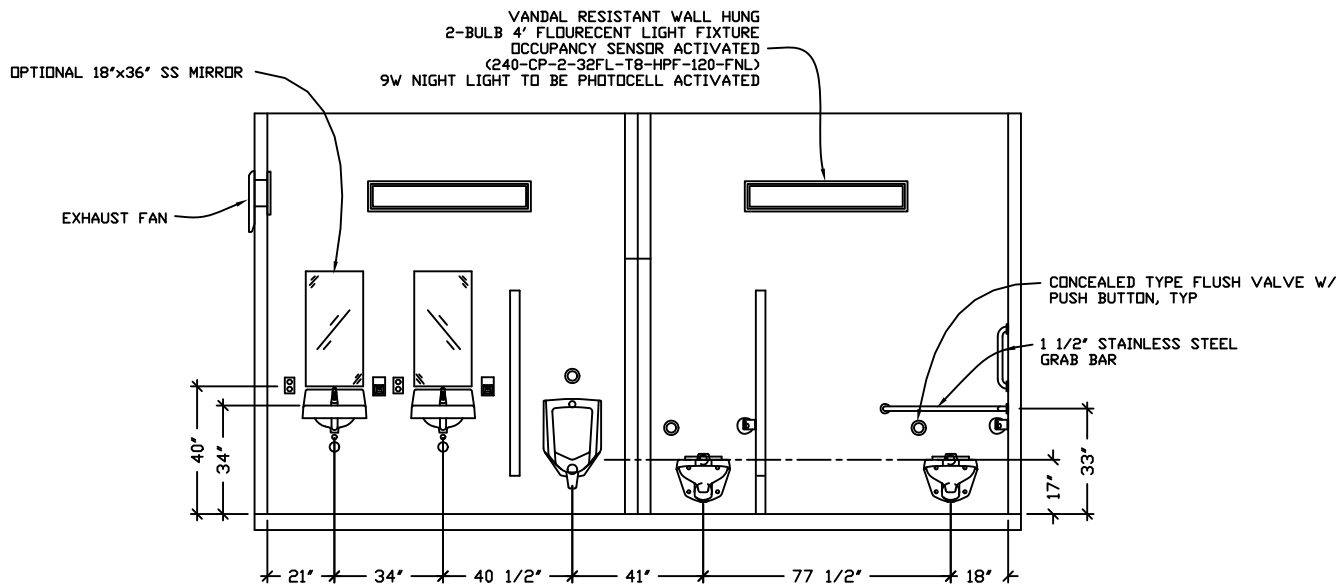
FLOOR PLAN

DWG NO.	CH-03	SHEET		REV.	
---------	-------	-------	--	------	--



INTERIOR ELEVATION - WOMEN'S RESTROOM

INTERIOR ELEVATION - MEN'S RESTROOM
WOMENS OPPOSITE HAND



INTERIOR ELEVATION - MEN'S RESTROOM

FOR
REFERENCE
ONLY

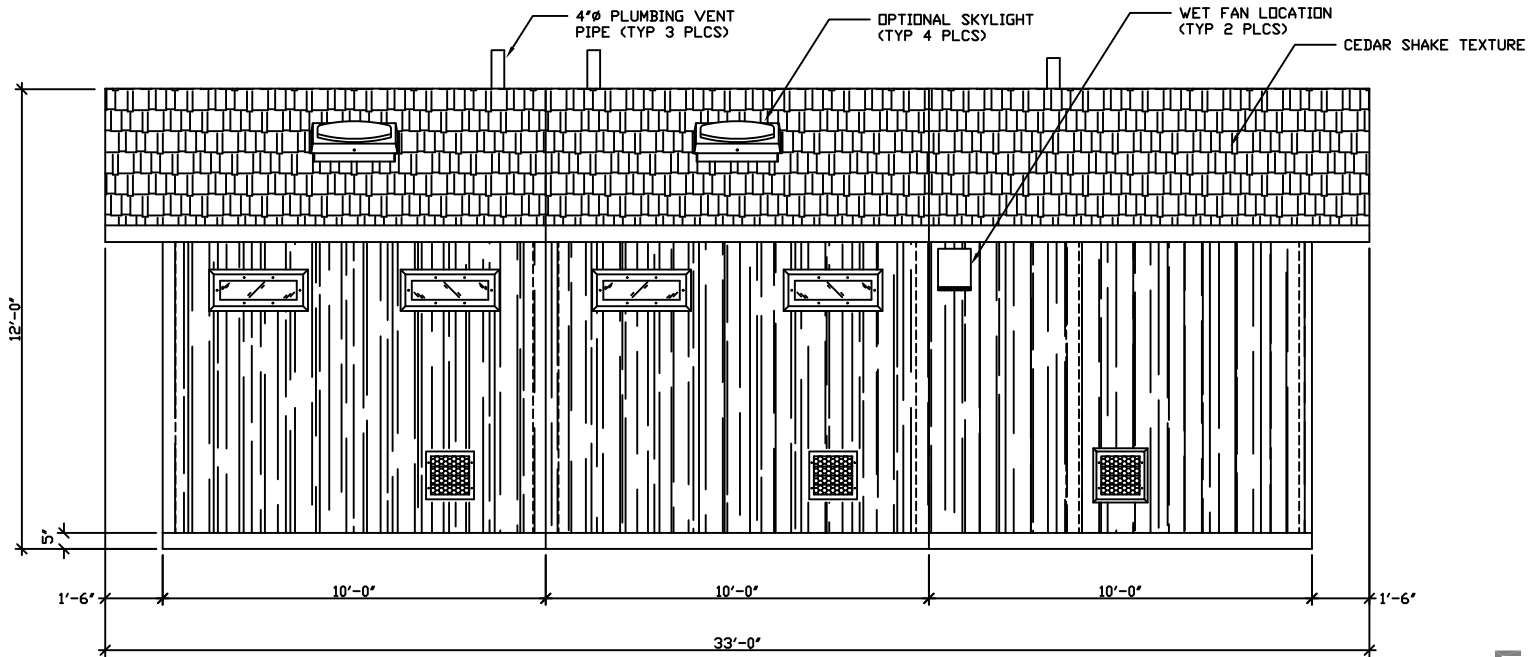


CHEYENNE
CXT STANDARD BUILDING

NOTICE
The information contained herein is proprietary and the exclusive property of CXT Incorporated. The information may only be used by the original recipient for the purpose intended. Reproduction or distribution of this information is strictly prohibited without the prior written consent of CXT Incorporated. By allowing use of this information, CXT Incorporated grants no warranty, express or implied, including a warranty of merchantability or of fitness for a particular purpose.

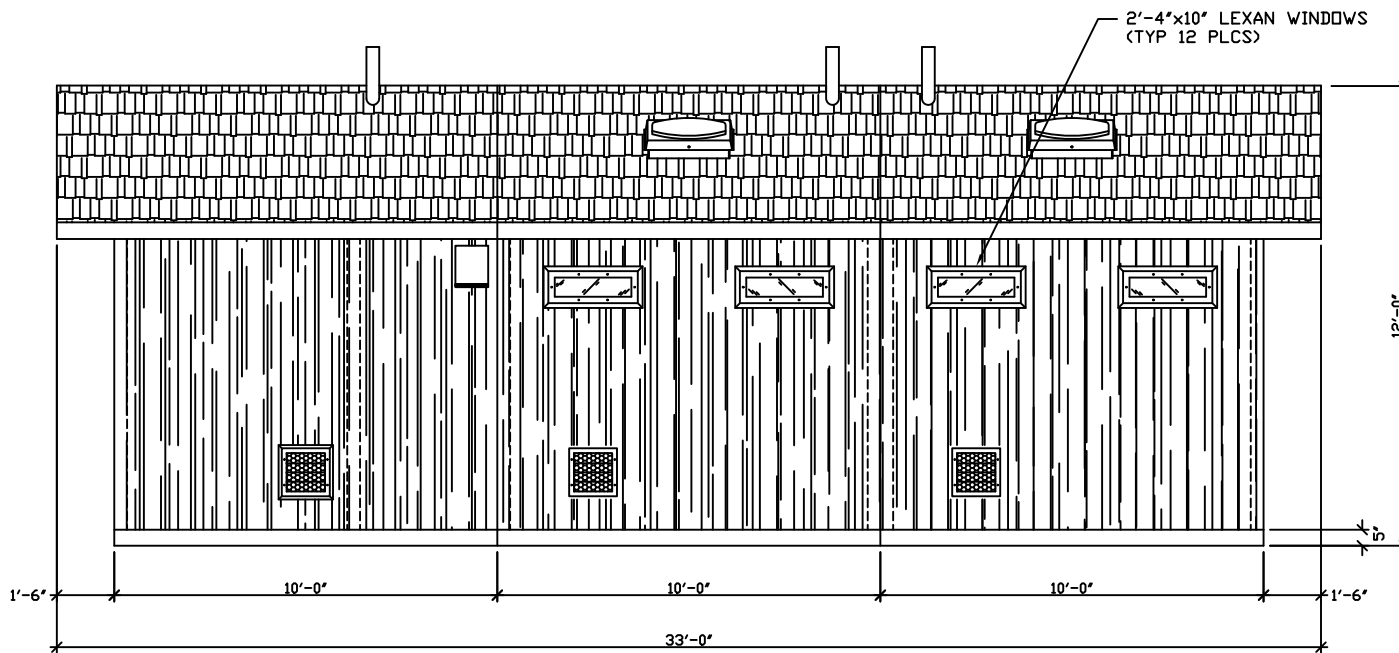
SCALE	DATE	APPROVAL	SIGNATURE	DATE
3/8"=1'-0"	04-29-08			
DRAWN	FILE NO.	PD-CH06		
CHECKED	PLOT	32		

RESTROOM INTERIOR ELEVATIONS	
DWG NO.	SHEET REV.
CH-06	



RH SIDE ELEVATION

FOR
REFERENCE
ONLY



LH SIDE ELEVATION



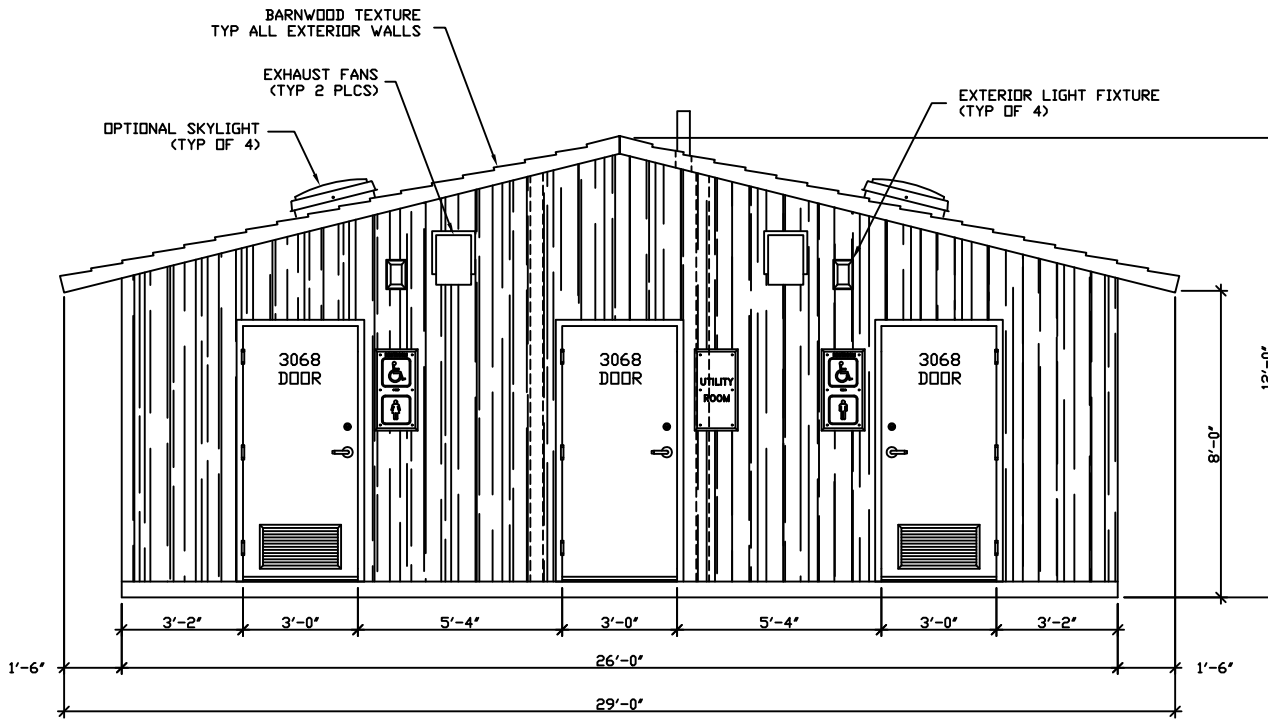
CHEYENNE
CXT STANDARD BUILDING

NOTICE
The information contained herein is proprietary and the exclusive property of CXT Incorporated. The information may only be used by the original recipient for the purpose intended. Reproduction or distribution of this information is strictly prohibited without the prior written consent of CXT Incorporated. By allowing use of this information, CXT Incorporated grants no warranty, express or implied, including a warranty of merchantability or of fitness for a particular purpose.

REV.	DESCRIPTION	APPROVAL	DATE
SCALE	1/8"=1'-0"	DATE	04-28-08
DRAWN	FILE NO.	PD-CH05	
CHECKED	PLOT	32	

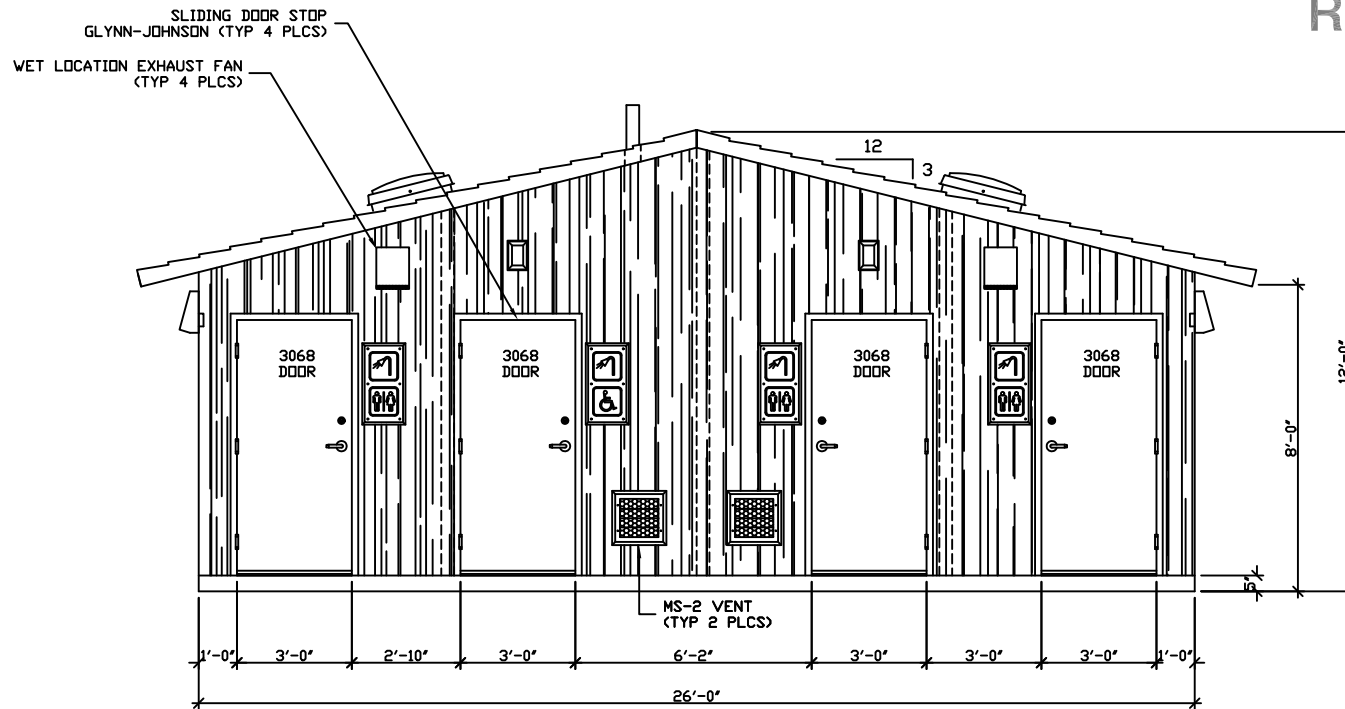
BUILDING ELEVATIONS

DWG NO.	SHEET	REV.
CH-05		



FRONT ELEVATION

FOR
REFERENCE
ONLY



REAR ELEVATION



CHEYENNE
CXT STANDARD BUILDING

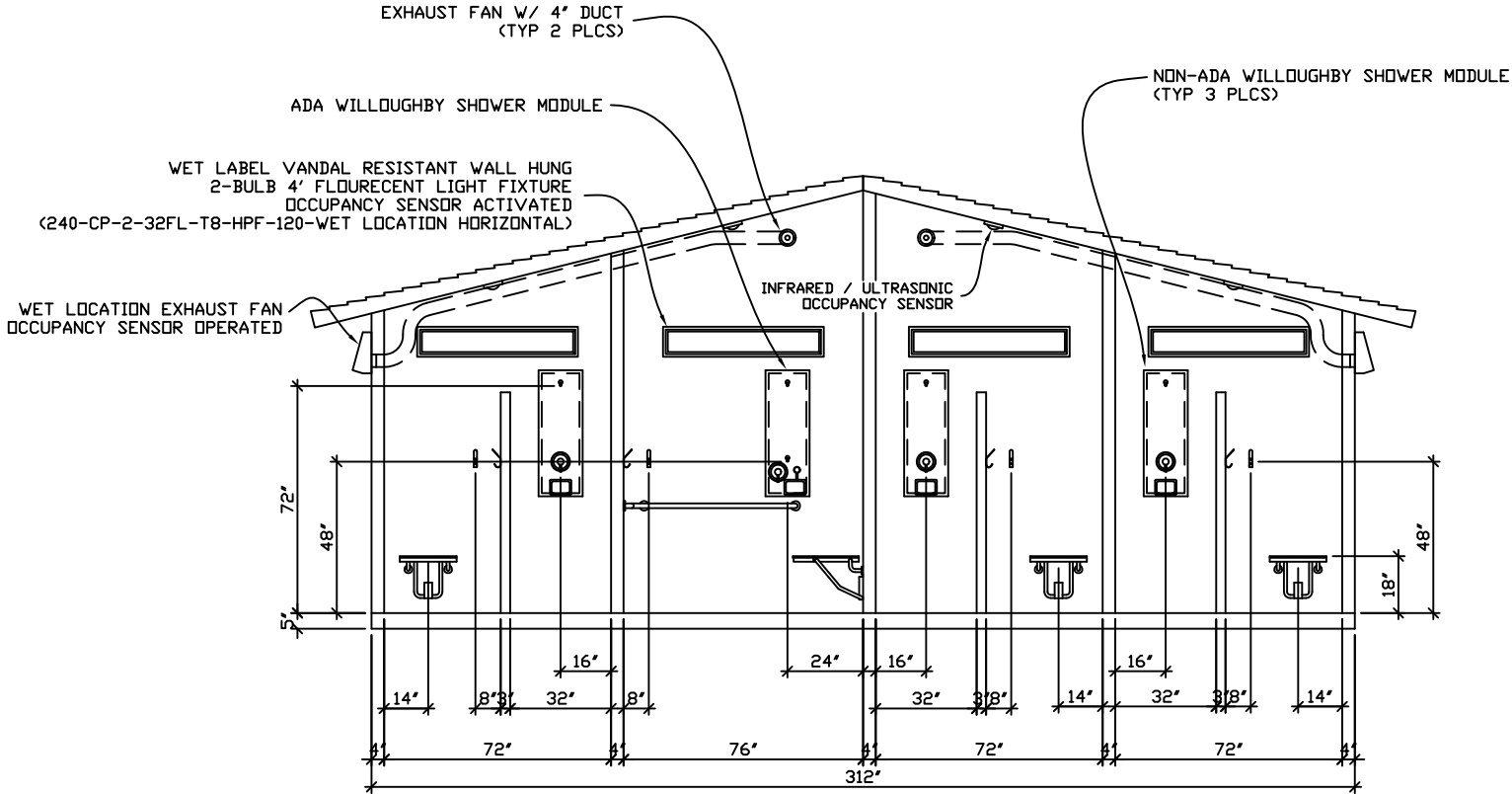
NOTICE
The information contained herein is proprietary and the exclusive property of CXT Incorporated. The information may only be used by the original recipient for the purpose intended. Reproduction or distribution of this information is strictly prohibited without the prior written consent of CXT Incorporated. By allowing use of this information, CXT Incorporated grants no warranty, express or implied, including a warranty of merchantability or of fitness for a particular purpose.
CXT Incorporated

REV.	DESCRIPTION	DATE	BY
SCALE	1/8"=1'-0"	DATE	04-28-08
DRAWN		FILE NO.	PD-CH04
CHECKED		PLOT	32

BUILDING ELEVATIONS

DWG NO.	SHEET	REV.
CH-04		

FOR REFERENCE ONLY



CHEYENNE
CXT STANDARD BUILDING

NOTICE
The information contained herein is proprietary and the exclusive property of CXT Incorporated. The information may only be used by the original recipient for the purpose intended. Reproduction or distribution of this information is strictly prohibited without the prior written consent of CXT Incorporated. By allowing use of this information, CXT Incorporated grants no warranty, express or implied, including a warranty of merchantability or of fitness for a particular purpose.

SCALE	3/8"=1'-0"	DATE	04-28-08
DRAWN		FILE NO.	PD-CH07
CHECKED		PLOT	32

SHOWER INTERIOR ELEVATIONS	
DWG NO. CH-07	SHEET REV.