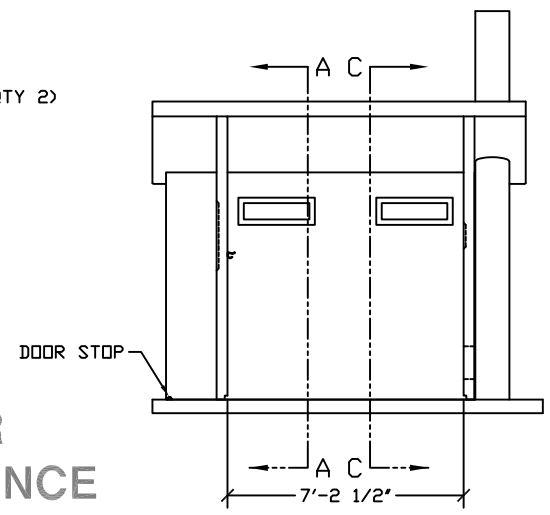
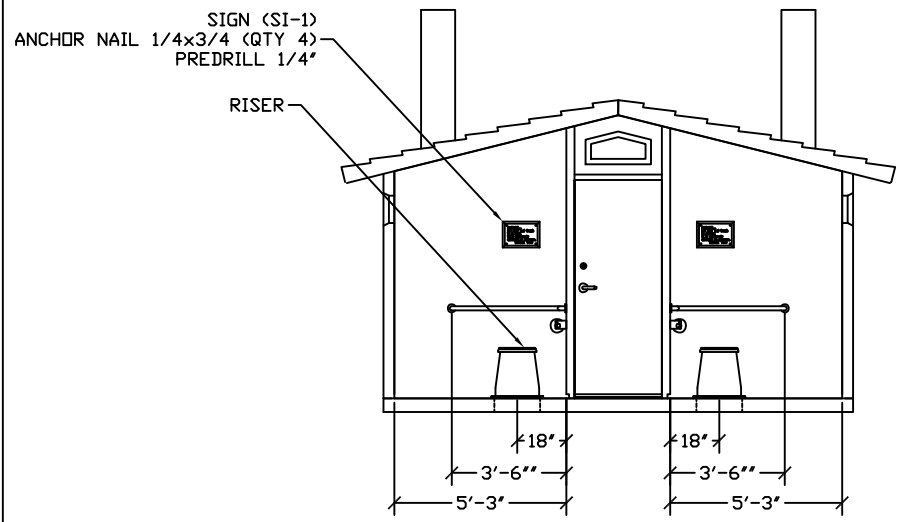


SECTION A - A

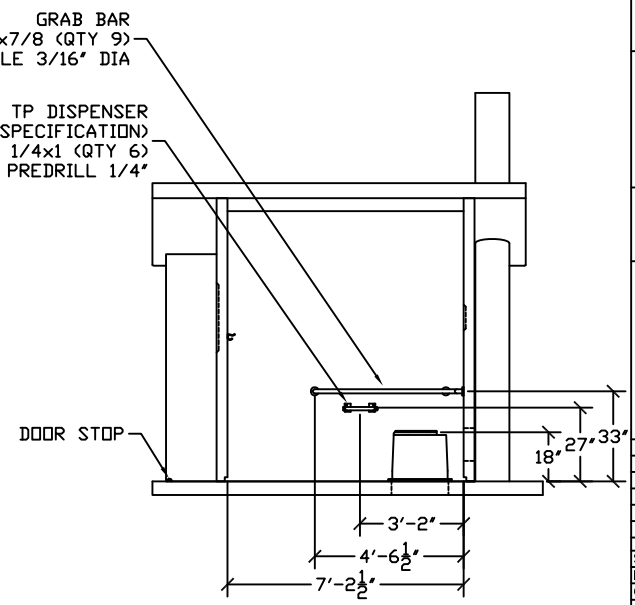


SECTION B - B

FOR
REFERENCE
ONLY



SECTION C - C



SECTION D - D

EMBEDDED MATERIALS			
ITEM	QTY	ITEM	QTY
RISER	2	ONE WAY OVAL 8x1 1/4	4
GRAB BAR	2	ANCHOR LEAD 6-8x1	4
TP DISPENSER	2		
TOILET PAPER ROLL	4-6		
COAT HOOK	2		
DOOR STOP	2		
SI-1	2		
BLIND RIVET 1/8x1/4	4		
CXT I.D. TAG	2		
ANCHOR NAIL 1/4x1	12		
ANCHOR NAIL 1/4x3/4	8		
ANCHOR NAIL 3/16x7/8	18		
CU. FT. CONC.		SQ. FT. W.W.F.	APPROXIMATE WEIGHT



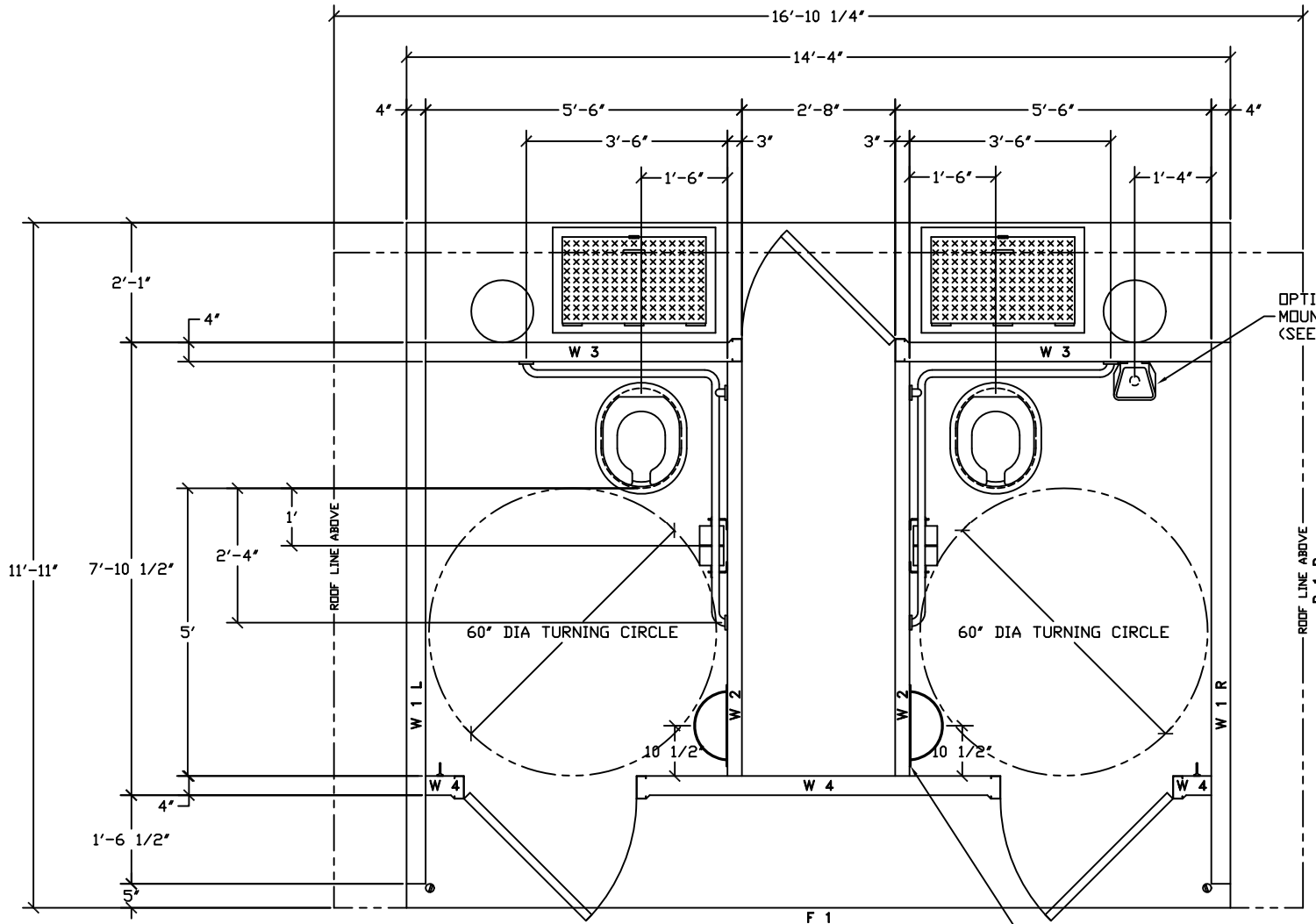
PROJECT TITLE
TIOGA with CHASE
CXT STANDARD BUILDING

NOTICE
The information contained herein is proprietary and the exclusive property of CXT Incorporated. The information may only be used by the original recipient for the purpose intended. Reproduction or distribution of this information is strictly prohibited without the prior written consent of CXT Incorporated. By allowing use of this information, CXT Incorporated grants no warranty, express or implied, including a warranty of merchantability or of fitness for a particular purpose.

REV.	DESCRIPTION	APPROVAL	DATE
SCALE	1/4"=1'-0"	DATE	03-28-05
DRAWN	FILE NO.	PD-TWC03	
CHECKED	PLOT	48	

INTERIOR ELEVATIONS

DWG NO.	SHEET	REV.
TWC-03		



OPTIONAL URINAL
MOUNT RIM 17" O.F.F.
(SEE MI)

ROOF LINE ABOVE
R 1 R

**FOR
REFERENCE
ONLY**

OPTIONAL WASTE PAPER BASKET
MOUNT BTM 12" OFF FINISHED FLOOR
(SEE MI)



PROJECT TITLE
TIOGA with CHASE
CXT STANDARD BUILDING

NOTICE
The information contained herein is proprietary and the exclusive property of CXT Incorporated. The information may only be used by the original recipient for the purpose intended. Reproduction or distribution of this information is strictly prohibited without the prior written consent of CXT Incorporated. By allowing use of this information, CXT Incorporated grants no warranty, express or implied, including a warranty of merchantability or of fitness for a particular purpose.

REV.	DESCRIPTION	APPROVAL	DATE

SCALE	1/2"=1'-0"	DATE	03-28-05
DRAWN		FILE NO.	PD-TWC04
CHECKED		PLOT	24

FLOOR PLAN

DWG NO.	SHEET	REV.
TWC-04		