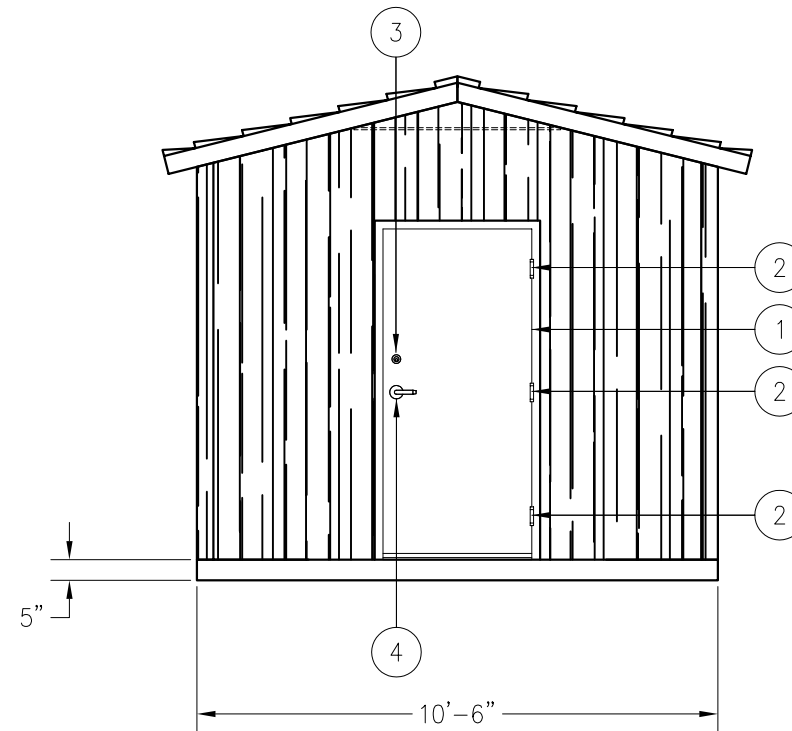
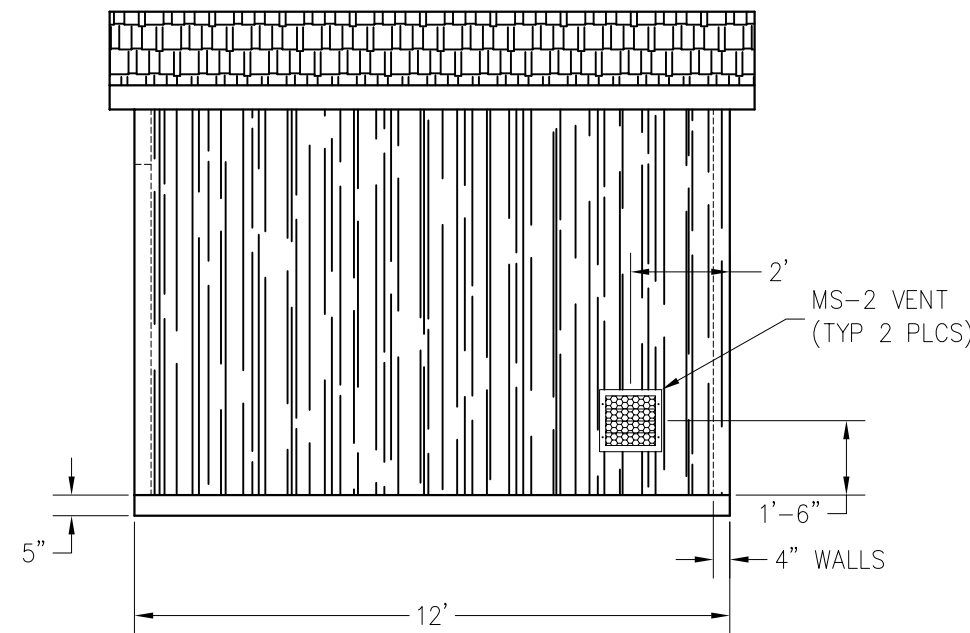


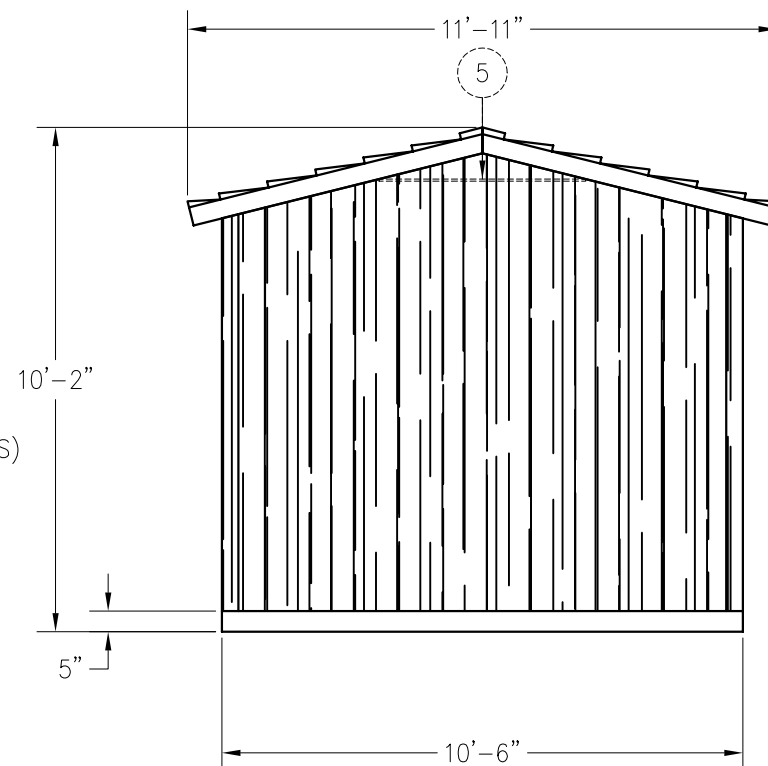
LH SIDE ELEVATION



FRONT ELEVATION



RH SIDE ELEVATION



REAR ELEVATION

DESIGN CRITERIA:

GENERAL NOTES APPLY TO ALL PANELS UNLESS SPECIFICALLY NOTED OTHERWISE

1997 UBC

LOADS:

WIND: 120 MPH EXP D
 SEISMIC: ZONE 4
 SNOW: 250 PSF ROOF LOAD
 FLOOR LIVE LOAD: 400 PSF

MATERIALS:

CONCRETE: F'ci = 2500 PSI
 F'C = 5000 PSI

STEEL:

REBAR=ASTM A615 GRADE 60
 WELDING NOT ALLOWED
 MIN LAP SPLICE IS 40 DIAMETERS
 ALL MESH IS 4x4xW8xW8
 MIN. MESH LAP IS TWO SQUARES
 MESH IS TO BE CENTERED IN PANEL
 PLATES & BARS=ASTM A36 Fy=36 KSI

PANEL THICKNESS:

FLOOR = 5"
 WALLS = 4"
 ROOF = 4 1/2"

COLOR: SEE MI

TEXTURE: WALLS - BARNWOOD
 ROOF - CEDAR SHAKE

BILL OF MATERIALS		
ITEM	QTY	DESCRIPTION
1	1	3068 DOOR ASSEMBLY
		PREP FOR DEAD BOLT
		OPENS OUT
		AUTOMATIC DOOR BTM
		3' THRESHOLD
2	3	SPRING HINGE 4.5 x 4.5
3	1	SCHALAGE DEAD BOLT LOCK
4	1	CLASS ROOM LEVER
5	3	FLAT BAR 1/2" x 5HR x 4'-2"
		APPROXIMATE WEIGHT



Precast Products

PROJECT TITLE
 10.5' x 12' SCHWEITZER
 CXT STANDARD BUILDING

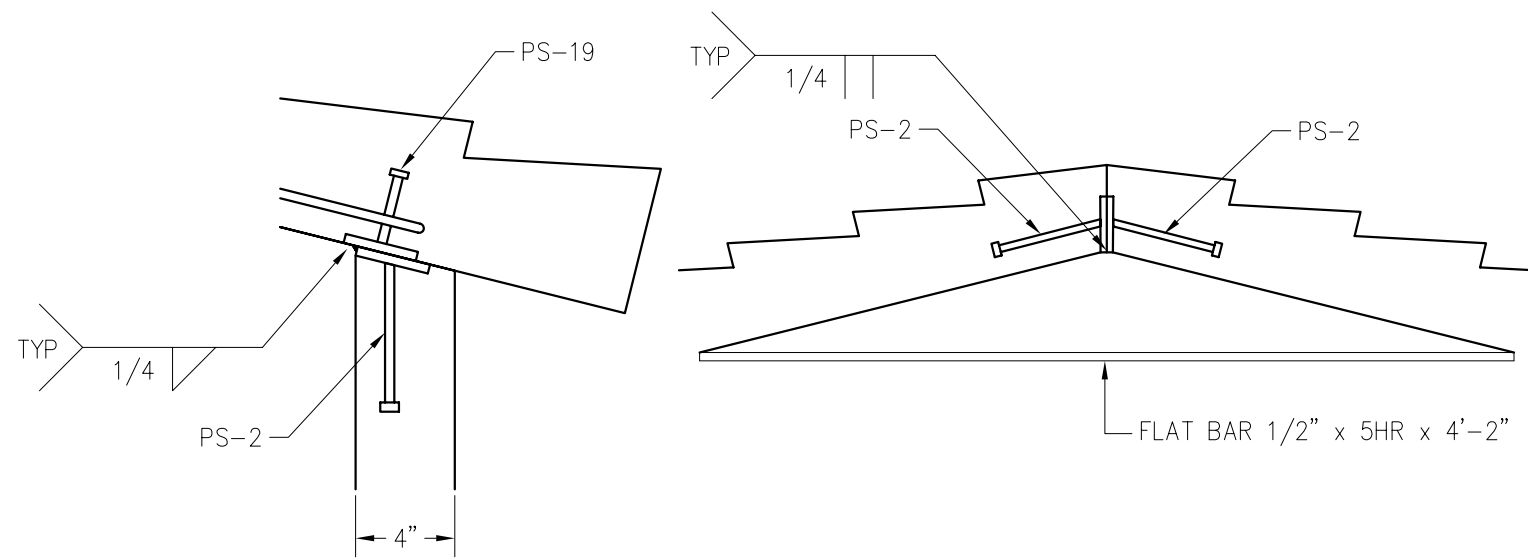
NOTICE
 The information contained herein is proprietary and the exclusive property of CXT Incorporated. The information may only be used by the original recipient for the purpose intended. Reproduction or distribution of this information is strictly prohibited without the prior written consent of CXT Incorporated. By allowing use of this information, CXT Incorporated grants no warranty, express or implied, including a warranty of merchantability or of fitness for a particular purpose.

CXT Incorporated			

REV.	DESCRIPTION	APPROVAL	DATE
SCALE	1/4"=1'-0"	DATE	03-28-05
DRAWN	FILE NO.	PD-SW10.51201	
CHECKED	PLOT	48	

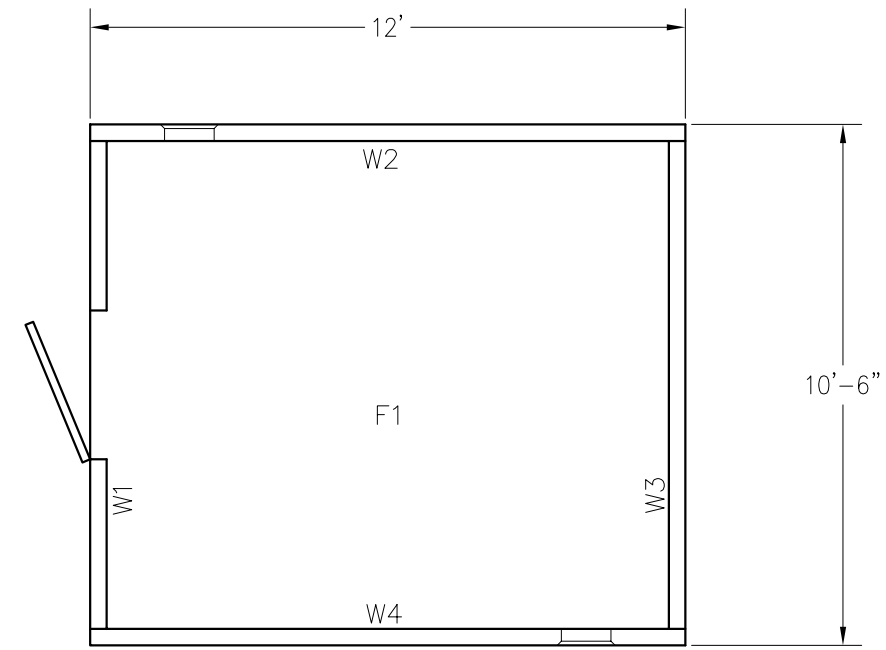
BUILDING ELEVATIONS		
DWG NO.	SHEET	REV.
10.512-01		

CASTING TOLERANCES:	
OVERALL LENGTH OR WIDTH	
10 FT OR UNDER	= ± 1/8"
10 TO 20 FT	= +1/8", -3/16"
20 TO 40 FT	= ± 1/4"
TOTAL THICKNESS	= -1/8, +1/4
VARIATION FROM SQUARE	= ±1/8 PER 6 FT OF DIAGONAL
LOCAL SMOOTHNESS	= 1/4" IN 10 FT
SWEEP	= ±1/4"
POSITION OF TENDONS	= ±1/4"
POSITION OF BLOCKOUTS	= ±1/4"
SIZE OF BLOCKOUTS	= ±1/4"
POSITION OF EMBEDS	= ±1/4"
TIPPING AND FLUSHNESS OF PLATES	= +0, -1/4
BOWING	= LENGTH/360
END SQUARENESS	= ±1/8"

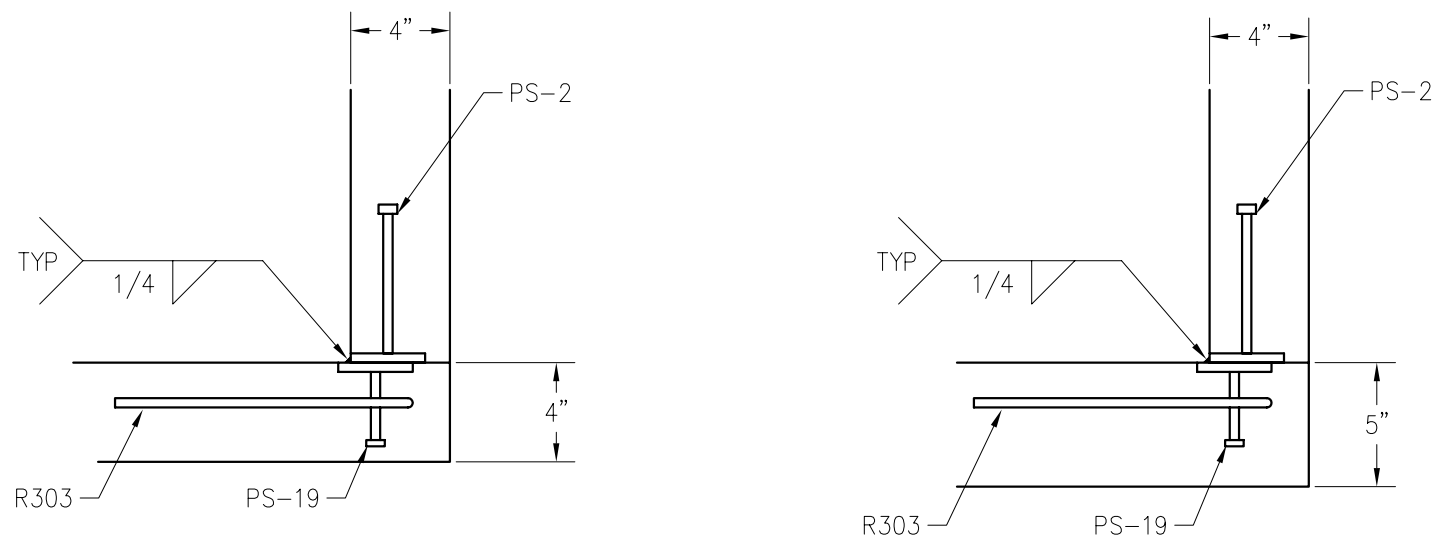


WALL TO ROOF CONNECTION

RIDGE CONNECTION

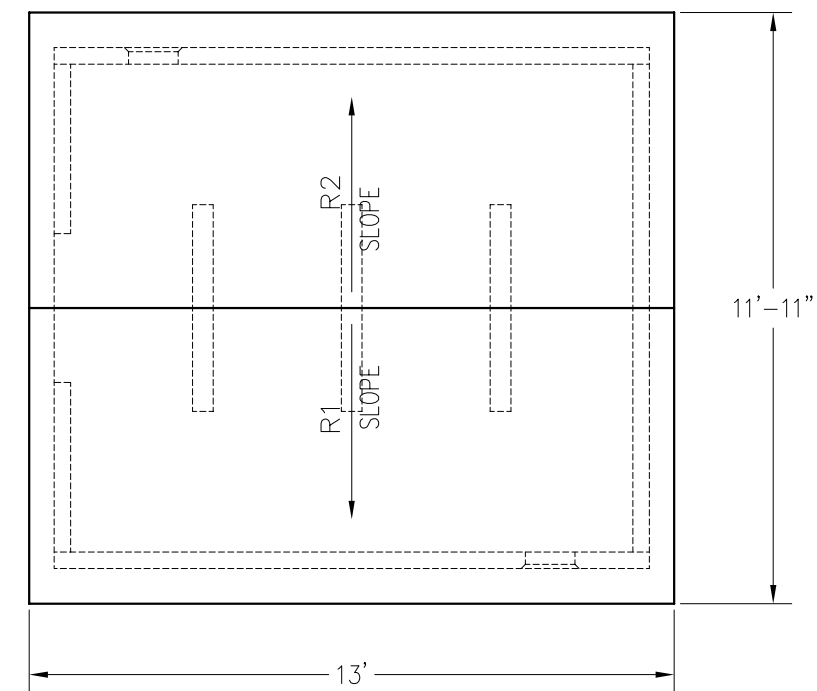


FLOOR PLAN



WALL TO WALL CONNECTION

WALL TO FLOOR CONNECTION



ROOF PLAN



PROJECT TITLE
10.5' x 12' SCHWEITZER
CXT STANDARD BUILDING

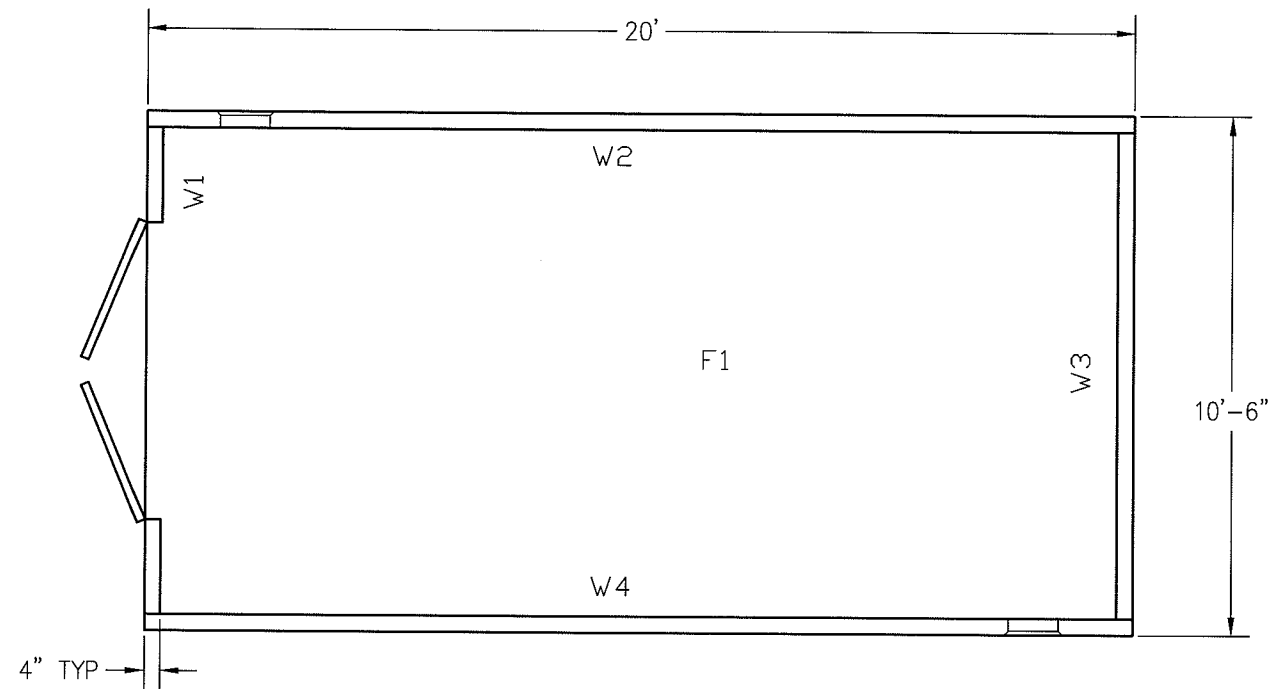
NOTICE
The information contained herein is proprietary and the exclusive property of CXT Incorporated. The information may only be used by the original recipient for the purpose intended. Reproduction or distribution of this information is strictly prohibited without the prior written consent of CXT Incorporated. By allowing use of this information, CXT Incorporated grants no warranty, express or implied, including a warranty of merchantability or of fitness for a particular purpose.

CXT Incorporated

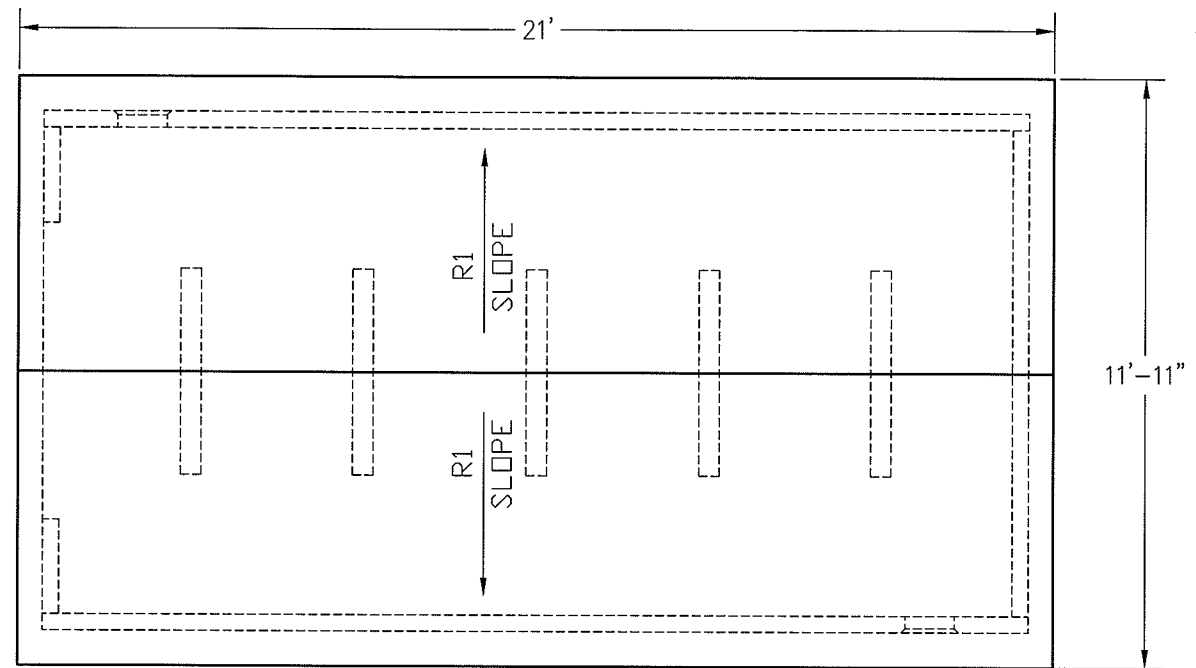
REV.	DESCRIPTION	APPROVAL	DATE
SCALE	1/4"=1'-0"	DATE	03-28-05
DRAWN		FILE NO.	PD-SW10.51202
CHECKED		PLOT	48

PLAN VIEW

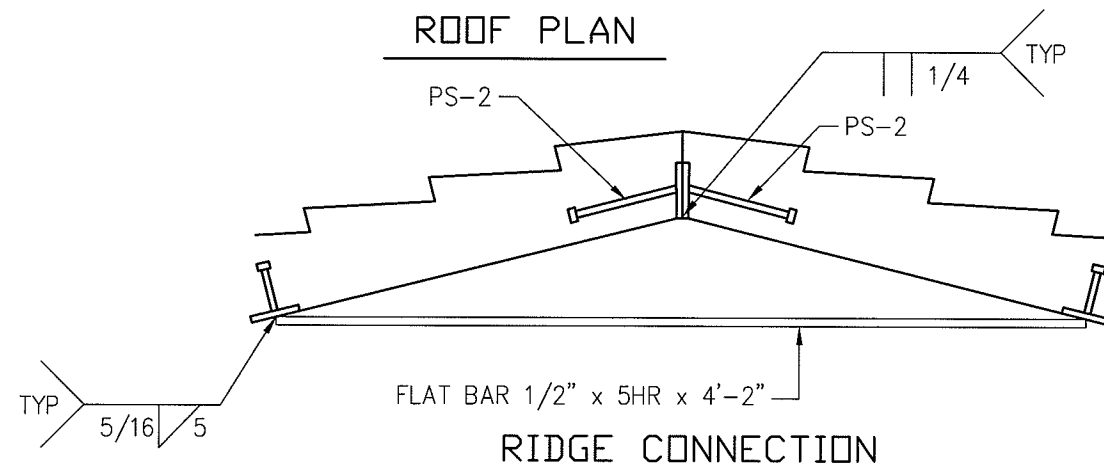
DWG NO.	SHEET	REV.
10.512-02		



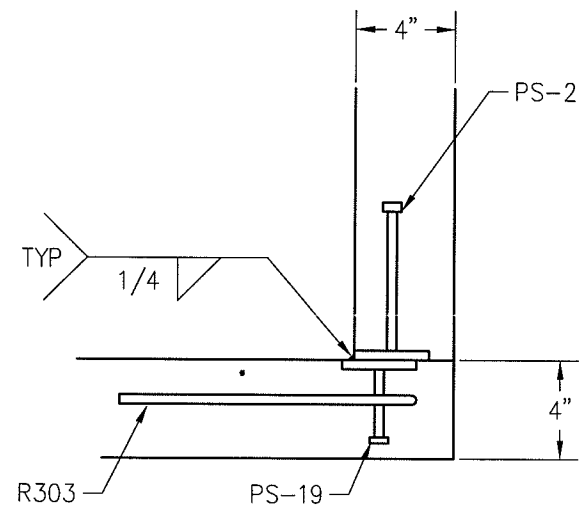
FLOOR PLAN



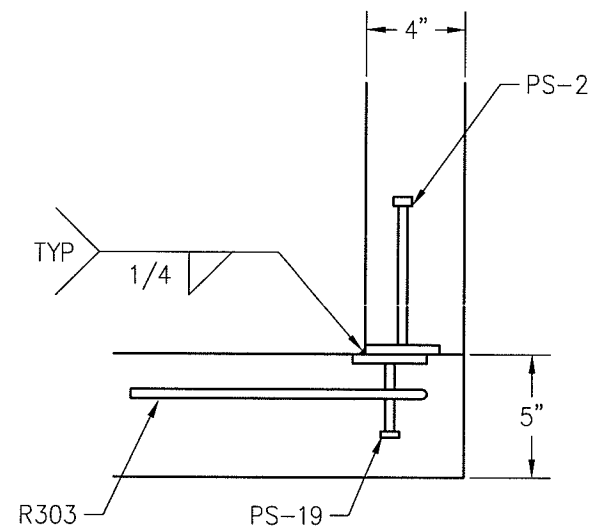
ROOF PLAN



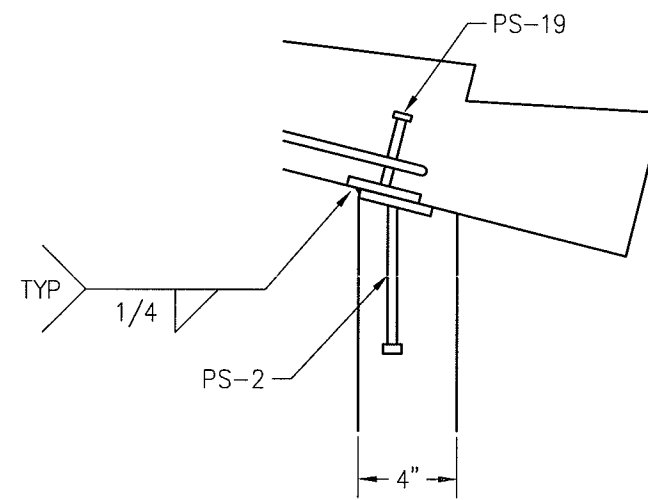
RIDGE CONNECTION



WALL TO WALL CONNECTION



WALL TO FLOOR CONNECTION



WALL TO ROOF CONNECTION



PROJECT TITLE
10.5' x 20' SCHWEITZER

NOTICE

The information contained herein is proprietary and the exclusive property of CXT Incorporated. The information may only be used by the original recipient for the purpose intended. Reproduction or distribution of this information is strictly prohibited without the prior written consent of CXT Incorporated. By allowing use of this information, CXT Incorporated grants no warranty, express or implied, including a warranty of merchantability or of fitness for a particular purpose.

CXT Incorporated

REV.	DESCRIPTION	APPROVAL	DATE
SCALE	1/4" = 1'-0"	DATE	06-05-06
DRAWN	D BRESSLER	FILE NO.	PD-SW02
CHECKED		PLOT	48

PLAN VIEW

DWG NO.	SHEET	REV.
10.520-02		

