

PROJECT TITLE  
**GUNNISON RIGHT HAND**  
 CXT STANDARD BUILDING

NOTICE

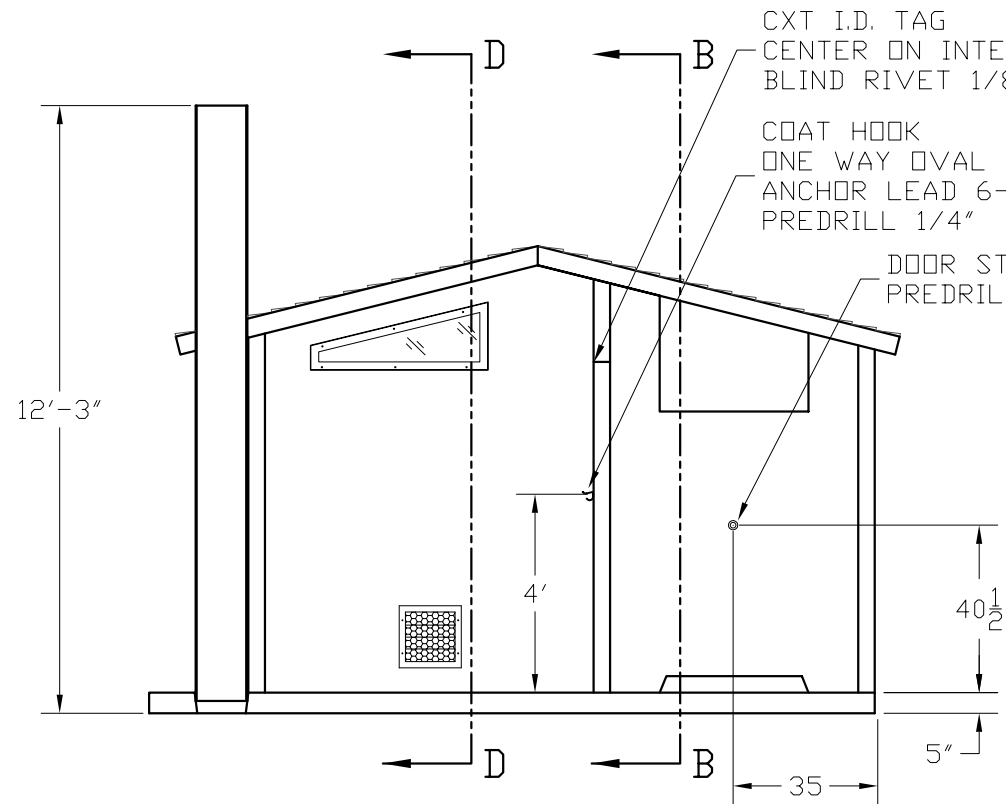
The information contained herein is proprietary and the exclusive property of CXT Incorporated. The information may only be used by the original recipient for the purpose intended. Reproduction or distribution of this information is strictly prohibited without the prior written consent of CXT Incorporated. By allowing use of this information, CXT Incorporated grants no warranty, express or implied, including a warranty of merchantability or of fitness for a particular purpose.

CXT Incorporated


REV.	DESCRIPTION	APPROVAL	DATE
SCALE	1/2"=1'-0"	DATE	03-28-05
DRAWN		FILE NO.	PD-G04
CHECKED		PLOT	24

**FLOOR PLAN**

DWG NO.	SHEET	REV.
G-04	/	



SECTION A - A

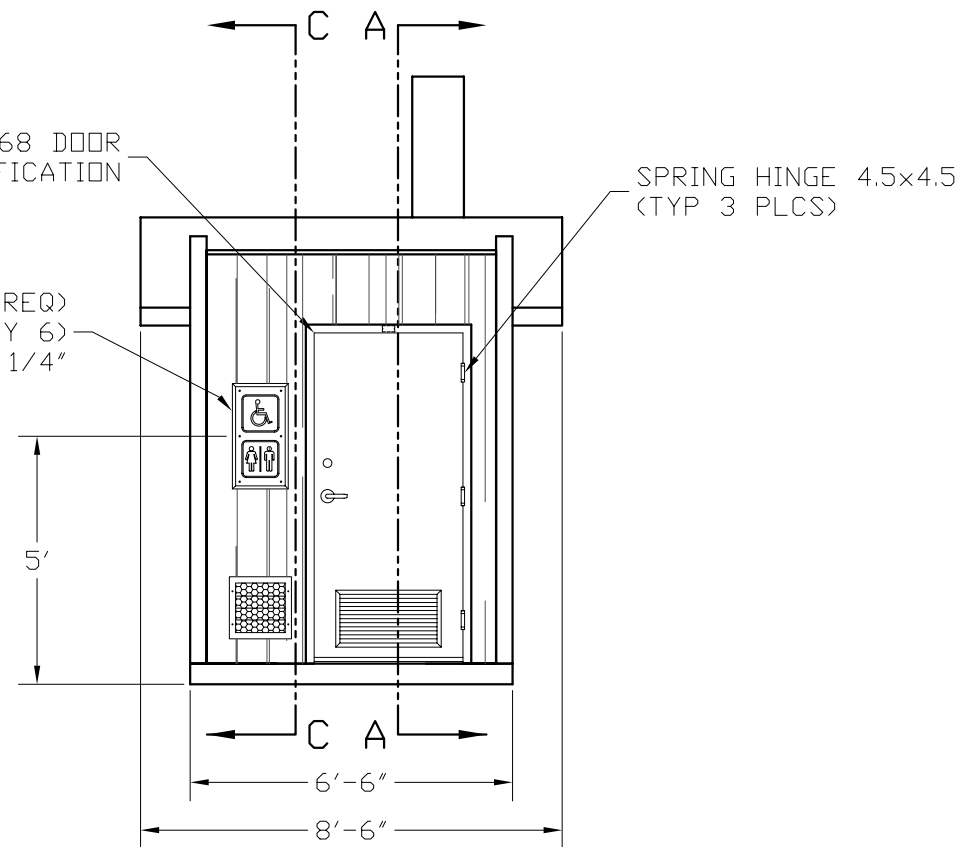
CXT I.D. TAG  
CENTER ON INTERIOR DOOR FRAME  
BLIND RIVET 1/8x1/4 (QTY 2)

COAT HOOK  
ONE WAY OVAL 8x1 1/4  
ANCHOR LEAD 6-8x1  
PREDRILL 1/4"

DOOR STOP  
PREDRILL 1/4"

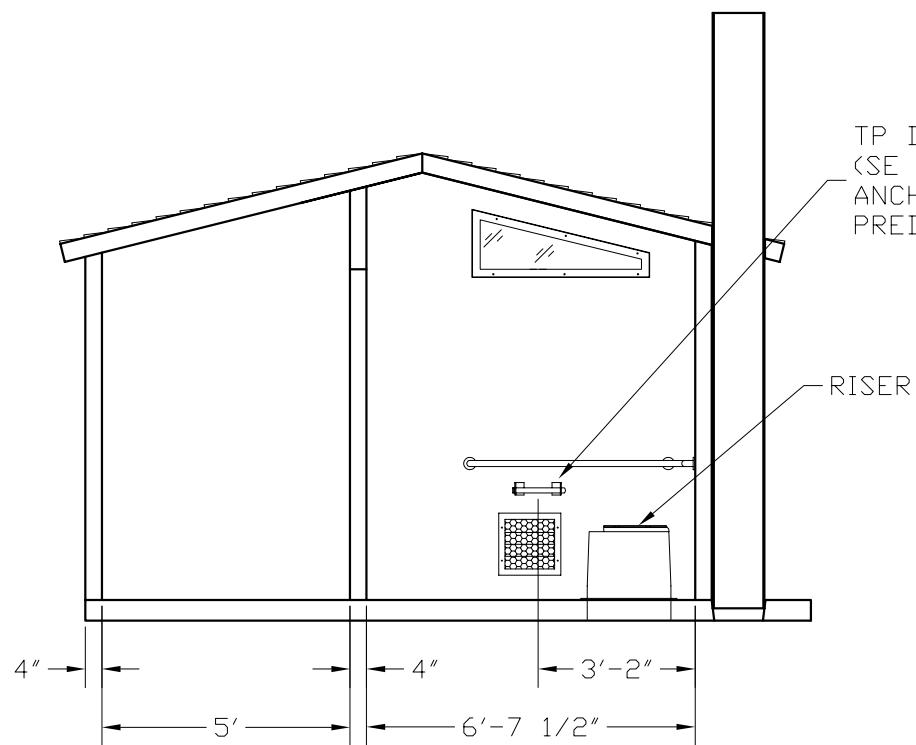
3068 DOOR  
SEE MI FOR SPECIFICATION

SIGN SI-2 (SYMBOL AS REQ)  
ANCHOR NAIL 1/4x3/4 (QTY 6)  
PREDRILL 1/4"



SECTION B - B

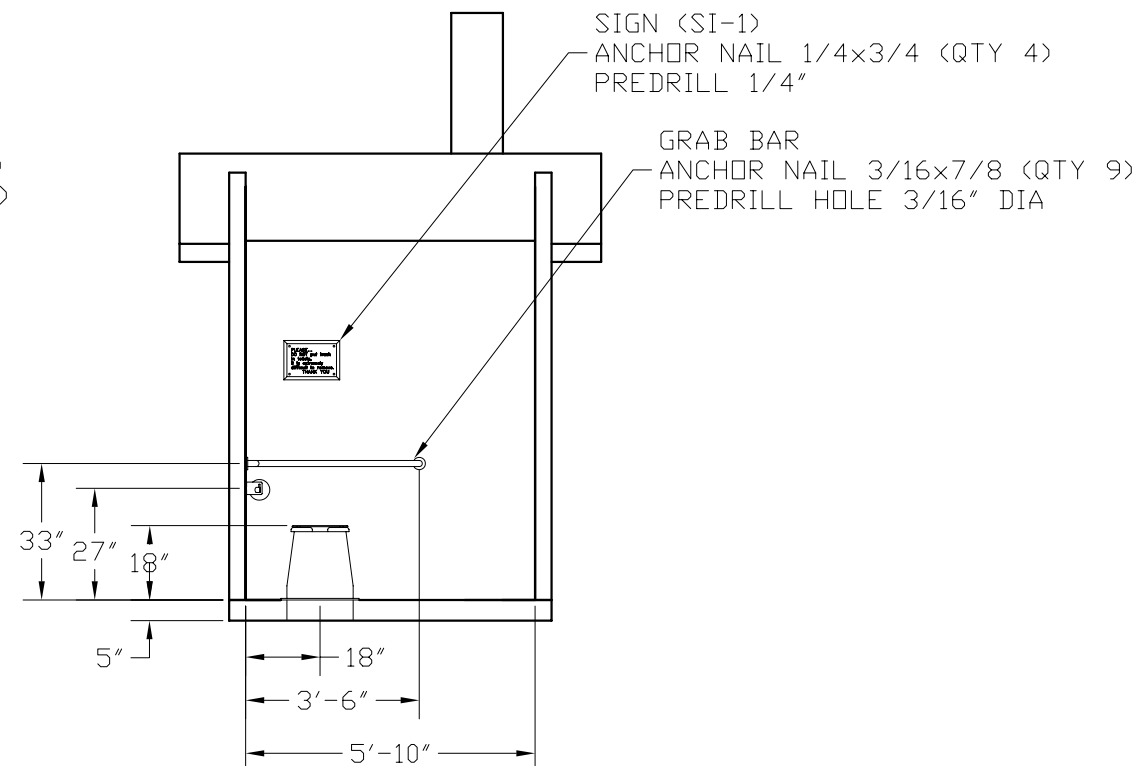
SPRING HINGE 4.5x4.5  
(TYP 3 PLCS)



SECTION C - C

TP DISPENSER  
(SE MI FOR SPECIFICATION)  
ANCHOR NAIL 1/4x1 (QTY 6)  
PREDRILL 1/4"

RISER



SECTION D - D

SIGN (SI-1)  
ANCHOR NAIL 1/4x3/4 (QTY 4)  
PREDRILL 1/4"

GRAB BAR  
ANCHOR NAIL 3/16x7/8 (QTY 9)  
PREDRILL HOLE 3/16" DIA

EMBEDDED MATERIALS			
ITEM	QTY	ITEM	QTY
RISER	1	ONE WAY OVAL 8x1 1/4	2
GRAB BAR	1	ANCHOR LEAD 6-8x1	2
TP DISPENSER	1	BLIND RIVET 1/8x1/4	2
TOILET PAPER ROLL	2-3	3068 DOOR ASSEMBLY	1
COAT HOOK	1	SPRING HINGE 4.5x4.5	3
DOOR STOP	1		
SI-1	1		
SI-2	1		
CXT I.D. TAG	1		
ANCHOR NAIL 1/4x1	6		
ANCHOR NAIL 1/4x3/4	10		
ANCHOR NAIL 3/16x7/8	9		
CU. FT. CONC.		SQ. FT. W.W.F.	APPROXIMATE WEIGHT



PROJECT TITLE  
**GUNNISON RIGHT HAND**  
CXT STANDARD BUILDING

NOTICE  
The information contained herein is proprietary and the exclusive property of CXT Incorporated. The information may only be used by the original recipient for the purpose intended. Reproduction or distribution of this information is strictly prohibited without the prior written consent of CXT Incorporated. By allowing use of this information, CXT Incorporated grants no warranty, express or implied, including a warranty of merchantability or of fitness for a particular purpose.

CXT Incorporated			

REV.	DESCRIPTION	APPROVAL	DATE
SCALE	1/4"=1'-0"	DATE	03-28-05
DRAWN		FILE NO.	PD-G03
CHECKED		PLOT	48

INTERIOR ELEVATIONS

DWG NO. **G-03**

SHEET / REV.