

PROJECT TITLE
GUNNISON LEFT HAND
 CXT STANDARD BUILDING

NOTICE

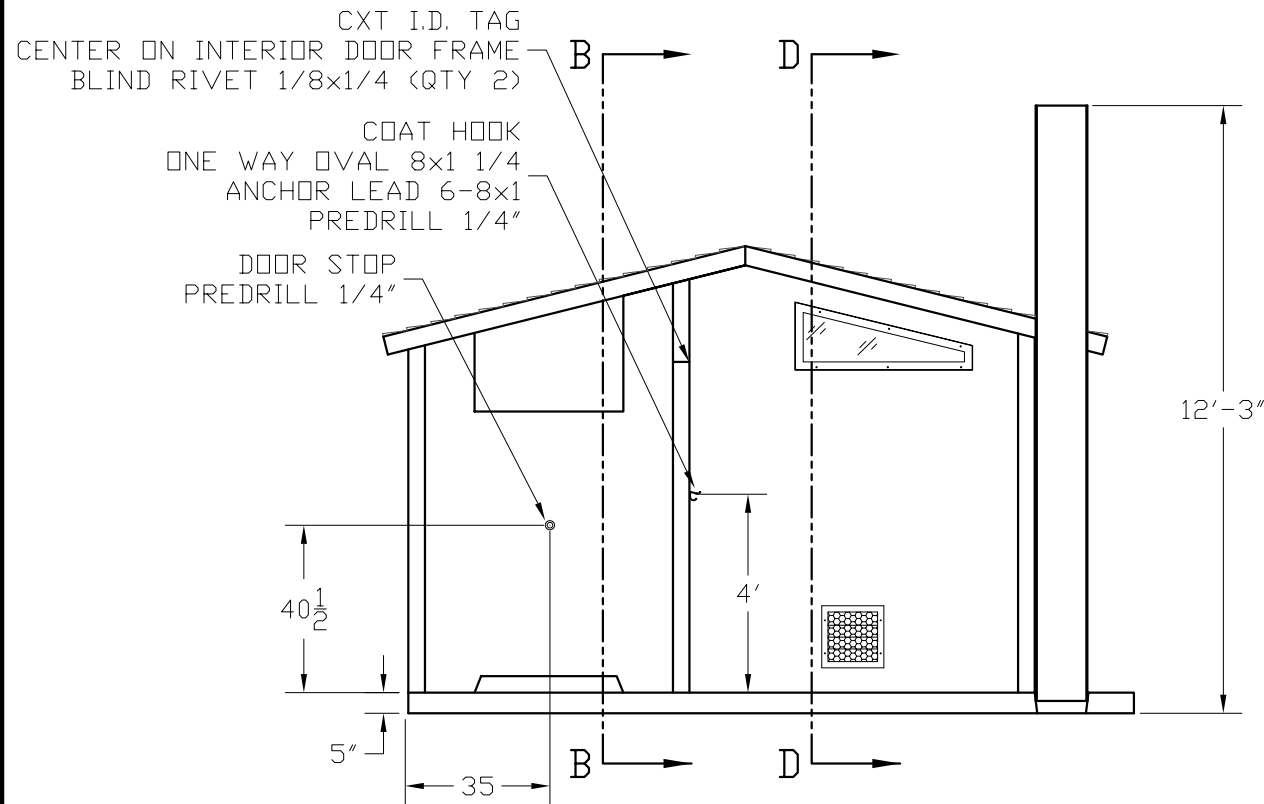
The information contained herein is proprietary and the exclusive property of CXT Incorporated. The information may only be used by the original recipient for the purpose intended. Reproduction or distribution of this information is strictly prohibited without the prior written consent of CXT Incorporated. By allowing use of this information, CXT Incorporated grants no warranty, express or implied, including a warranty of merchantability or of fitness for a particular purpose.

CXT Incorporated

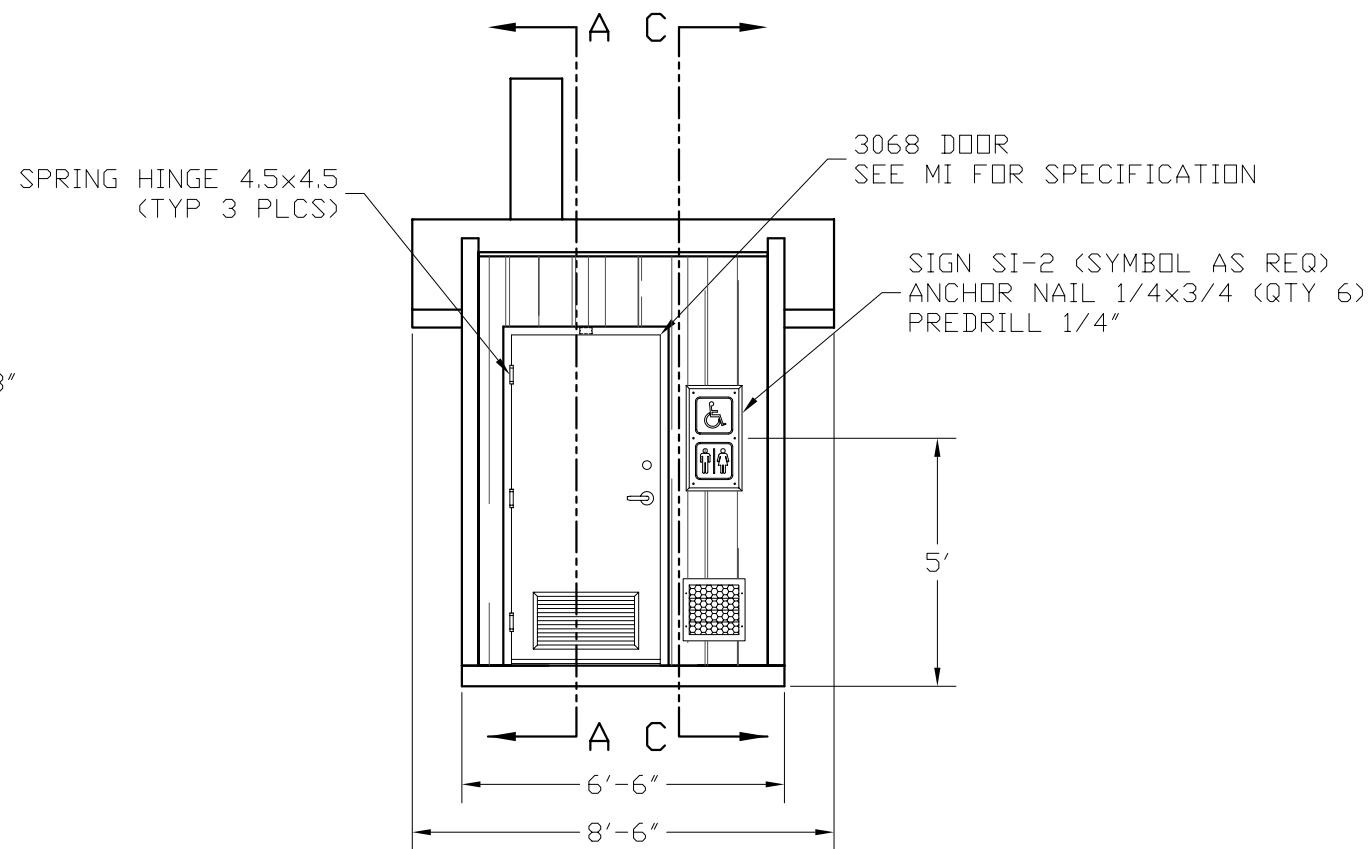
REV.	DESCRIPTION	APPROVAL	DATE
SCALE	1/2"=1'-0"	DATE	03-28-05
DRAWN		FILE NO.	PD-G04
CHECKED		PLOT	24

FLOOR PLAN

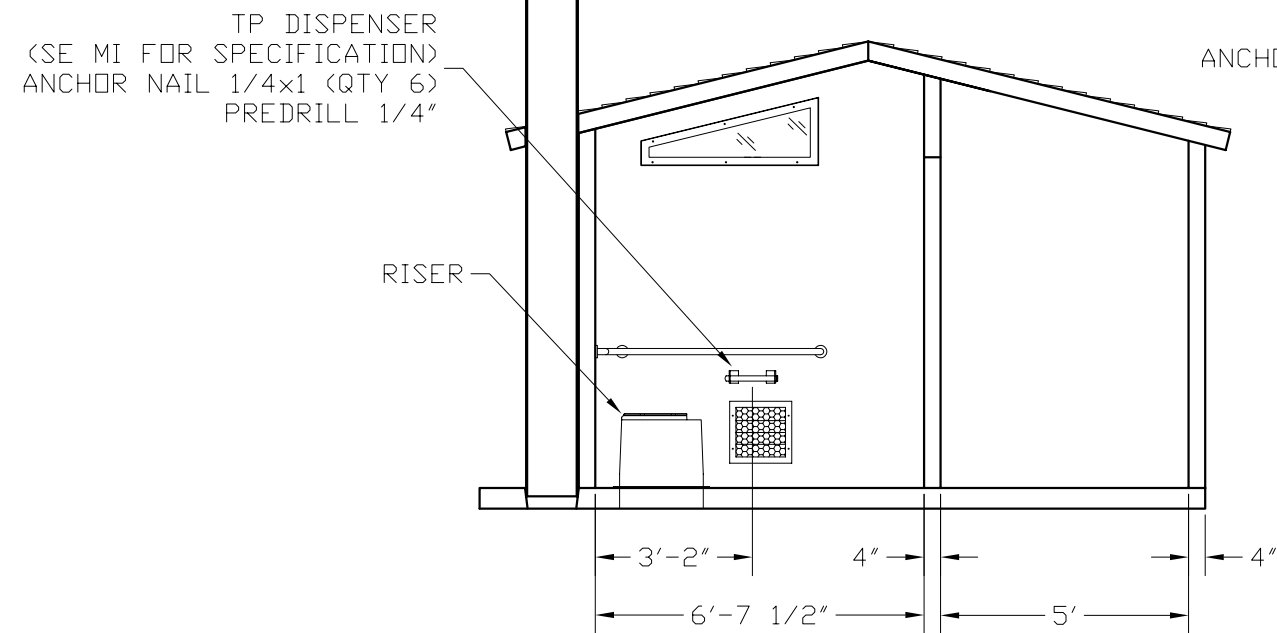
DWG NO.	SHEET	REV.
G-04	/	



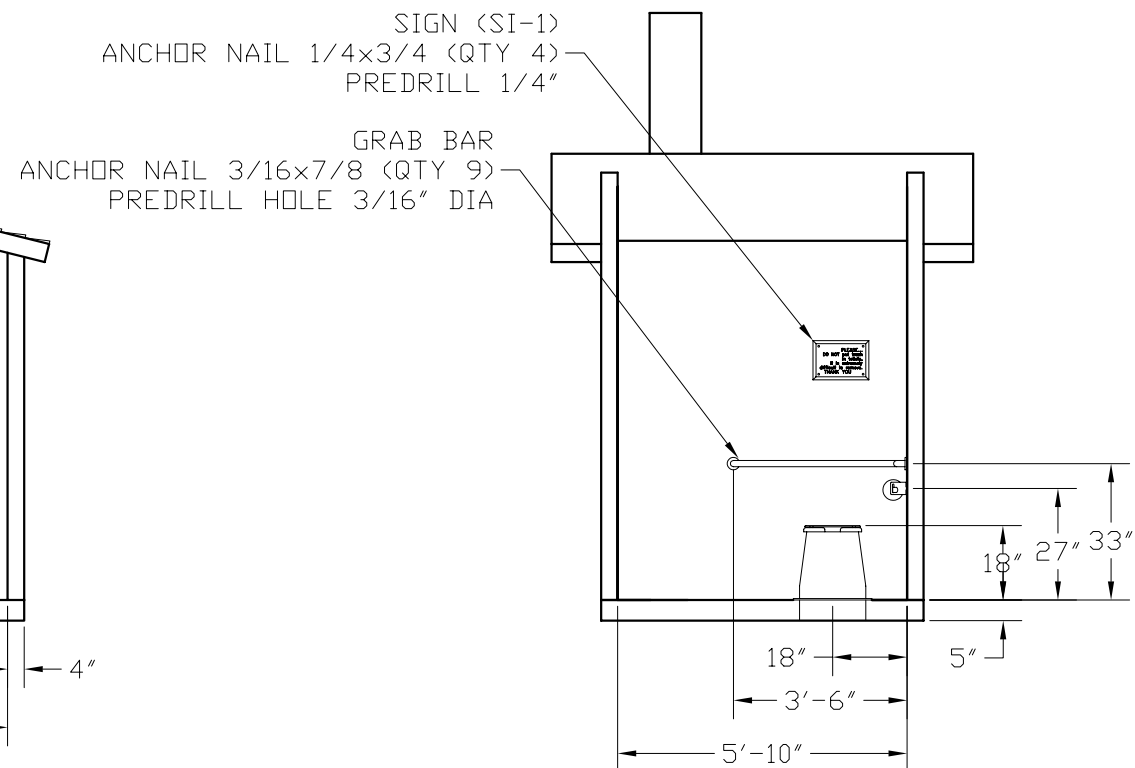
SECTION A - A



SECTION B - B



SECTION C - C



SECTION D - D

EMBEDDED MATERIALS			
ITEM	QTY	ITEM	QTY
RISER	1	ONE WAY OVAL 8x1 1/4	2
GRAB BAR	1	ANCHOR LEAD 6-8x1	2
TP DISPENSER	1	BLIND RIVET 1/8x1/4	2
TOILET PAPER ROLL	2-3	3068 DOOR ASSEMBLY	1
COAT HOOK	1	SPRING HINGE 4.5x4.5	3
DOOR STOP	1		
SI-1	1		
SI-2	1		
CXT I.D. TAG	1		
ANCHOR NAIL 1/4x1	6		
ANCHOR NAIL 1/4x3/4	10		
ANCHOR NAIL 3/16x7/8	9		
CU. FT. CONC.		SQ. FT. W.W.F.	APPROXIMATE WEIGHT



PROJECT TITLE
GUNNISON LEFT HAND
 CXT STANDARD BUILDING

NOTICE
 The information contained herein is proprietary and the exclusive property of CXT Incorporated. The information may only be used by the original recipient for the purpose intended. Reproduction or distribution of this information is strictly prohibited without the prior written consent of CXT Incorporated. By allowing use of this information, CXT Incorporated grants no warranty, express or implied, including a warranty of merchantability or of fitness for a particular purpose.

CXT Incorporated

REV.	DESCRIPTION	APPROVAL	DATE
SCALE	1/4"=1'-0"	DATE	03-28-05
DRAWN		FILE NO.	PD-G03
CHECKED		PLOT	48

INTERIOR ELEVATIONS

DWG NO. **G-03** SHEET REV.