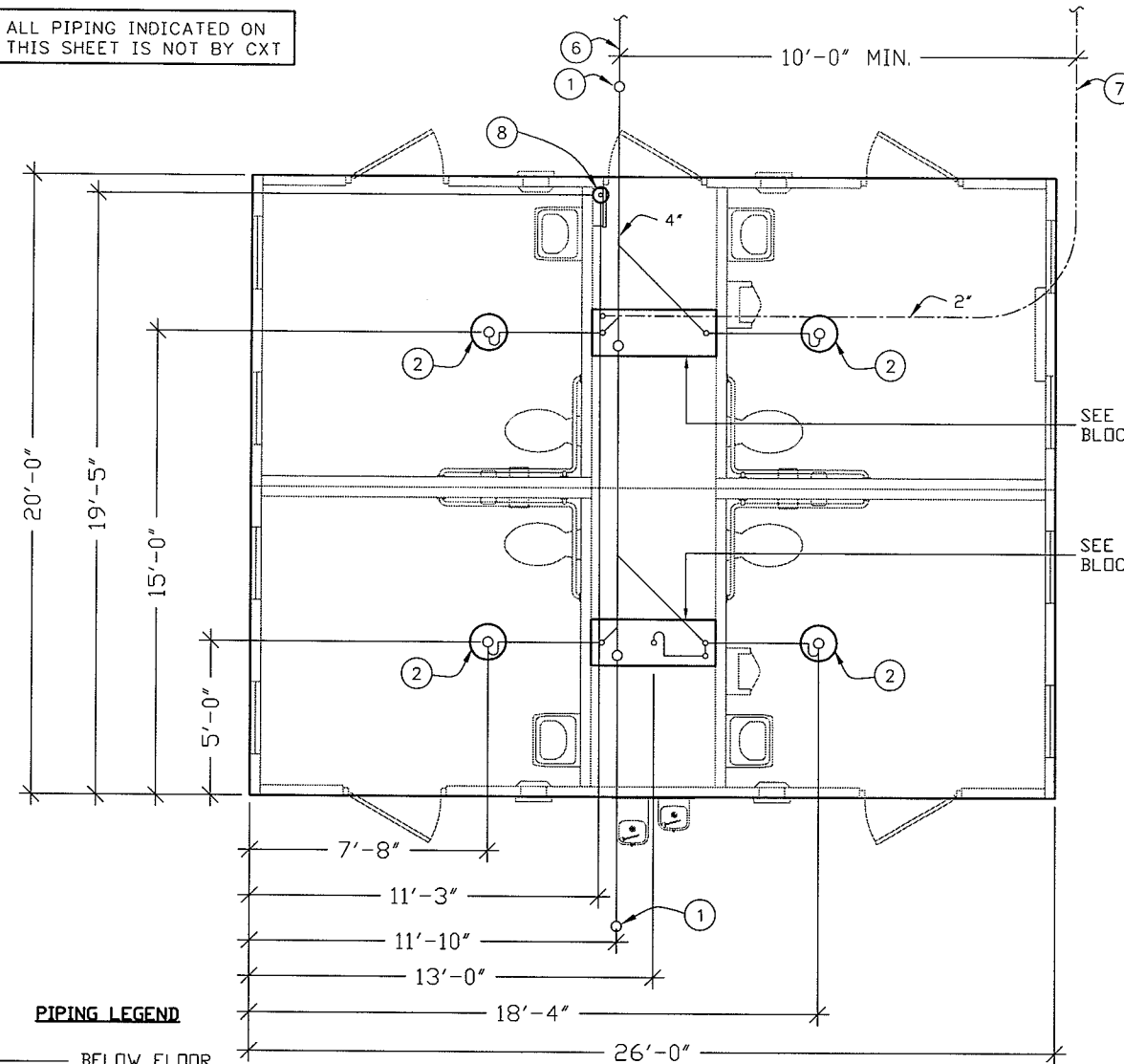


ALL PIPING INDICATED ON THIS SHEET IS NOT BY CXT

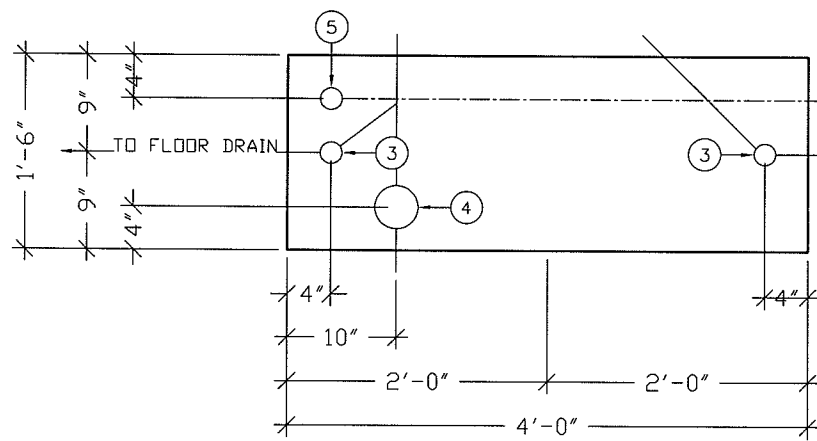


PIPING LEGEND

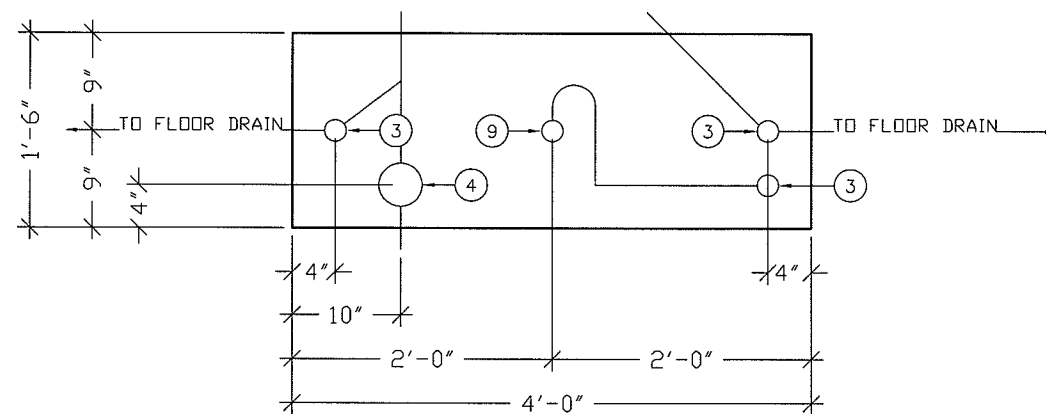
- BELOW FLOOR WASTE PIPING
SCH 40 ABS
TYPE DWV
- - - - - BELOW FLOOR VENT PIPING
SCH 40 ABS
TYPE DWV
- - - - - 2" TYPE "K" ANNEALED "SOFT" COPPER WATER SERVICE

FLOOR DRAIN BLOCKOUTS & BELOW FLOOR PIPING

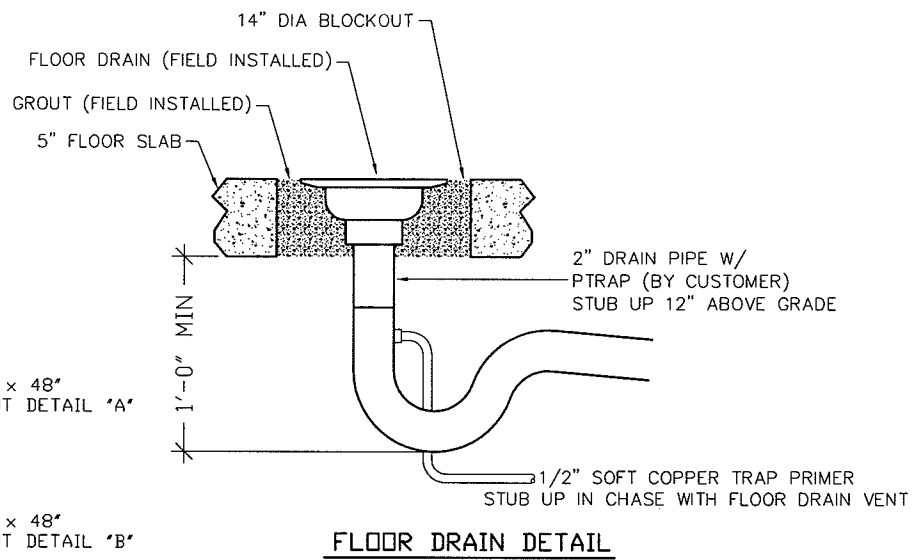
FOR REFERENCE ONLY



18' x 48' BLOCKOUT DETAIL 'A'



18' x 48' BLOCKOUT DETAIL 'B'



FLOOR DRAIN DETAIL

BELOW FLOOR PIPING - KEY NOTES

1. 4" CLEAN OUT TO GRADE.
2. 2" FLOOR DRAIN. FIELD INSTALLED TRAP PRIMER SYSTEM IF REQUIRED BY AUTHORITY HAVING JURISDICTION. (14" DIA BLOCKOUT)
3. 2" VENT PIPES EXTENDED 12" ABOVE FINISHED FLOOR LEVEL, PROVIDE TEST PLUGS. (1'-6" x 4'-0" BLOCKOUT)
4. 4" WASTE PIPE EXTENDED 12" ABOVE FINISHED FLOOR LEVEL, PROVIDE TEST PLUG. (1'-6" x 4'-0" BLOCKOUT)
5. 2" TYPE K ANNEALED "SOFT" COPPER WATER SERVICE EXTENDED 12" ABOVE FINISHED FLOOR LEVEL, PROVIDE CAP AT END. (1'-6" x 4'-0" BLOCKOUT)
6. 30' MIN. BURY, PROVIDE TRACER TAPE.
7. MIN. BURY PER LOCAL REQUIREMENTS TO PROTECT AGAINST FREEZING AND DAMAGE.
8. 2" CONDUIT ELECTRICAL STUB UP, (6" DIA BLOCKOUT)
9. 2" FLOOR DRAIN. FIELD INSTALLED TRAP PRIMER SYSTEM IF REQUIRED BY AUTHORITY HAVING JURISDICTION. (1'-6" x 4'-0" BLOCKOUT)

ALL PIPING INDICATED ON THIS SHEET IS NOT BY CXT

THIS DRAWING IS SUPPLIED FOR REFERENCE ONLY. PLEASE CONTACT CXT ENGINEERING DEPARTMENT FOR BUILDING SPECIFIC CONTROLLED DOCUMENTS PRIOR TO ANY FIELD WORK.

CXT
Precast Products
901 N. Highway 77
Hillsboro, TX 76645

PROJECT TITLE
ARAPAHOE
CXT STANDARD BUILDING

NOTICE
The information contained herein is proprietary and the exclusive property of CXT Incorporated. The information may only be used by the original recipient for the purpose intended. Reproduction or distribution of this information is strictly prohibited without the prior written consent of CXT Incorporated. By allowing use of this information, CXT Incorporated grants no warranty, express or implied, including a warranty of merchantability or of fitness for a particular purpose.

CXT Incorporated

REV.	DESCRIPTION	APPROVAL	DATE
SCALE	1/4"=1'-0"	DATE	11-10-06
DRAWN	ROB D WALKER	FILE NO.	FOR REF.
CHECKED		PLOT	48

FLOOR DRAIN LOCATION & BELOW FLOOR PIPING	
DWG NO. A-27	SHEET 27 REV. 32