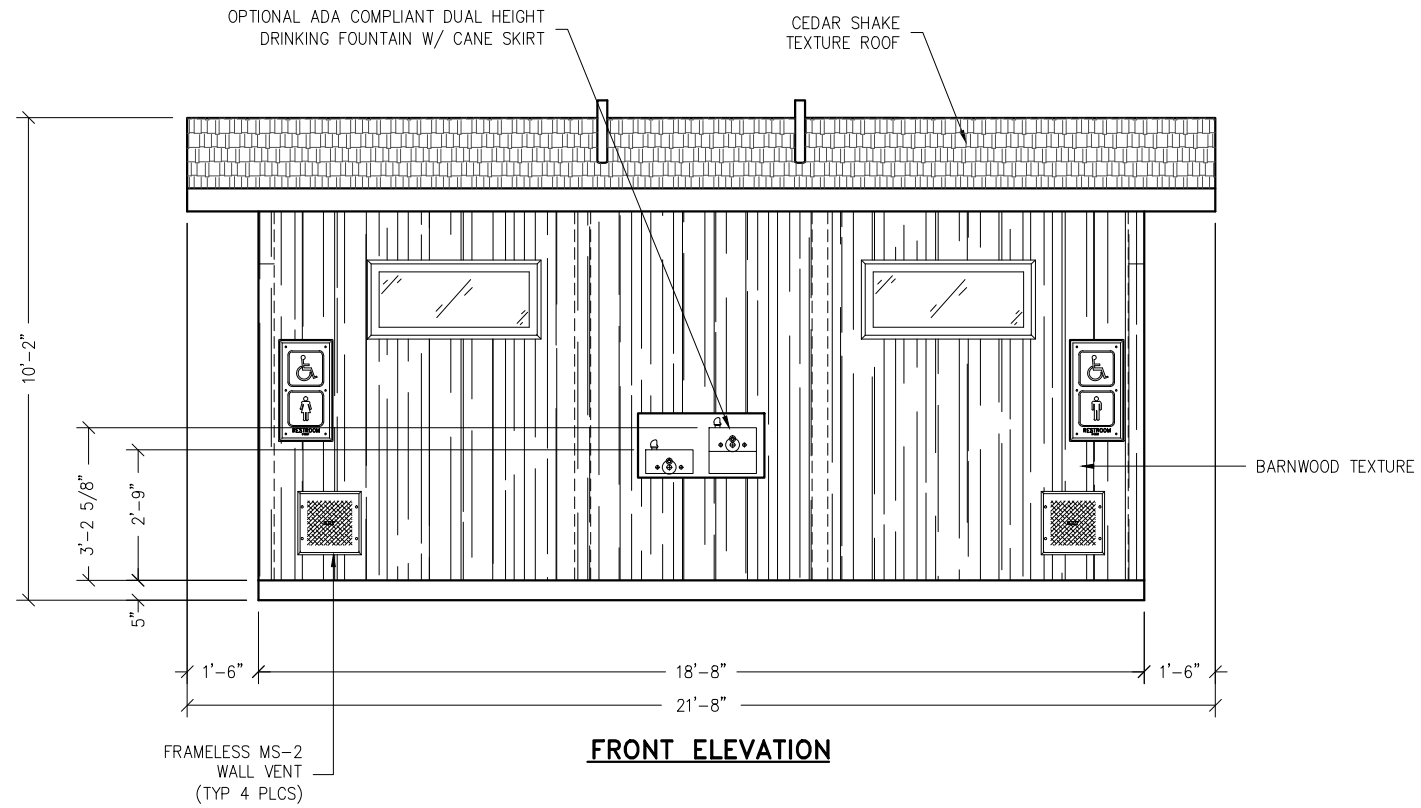
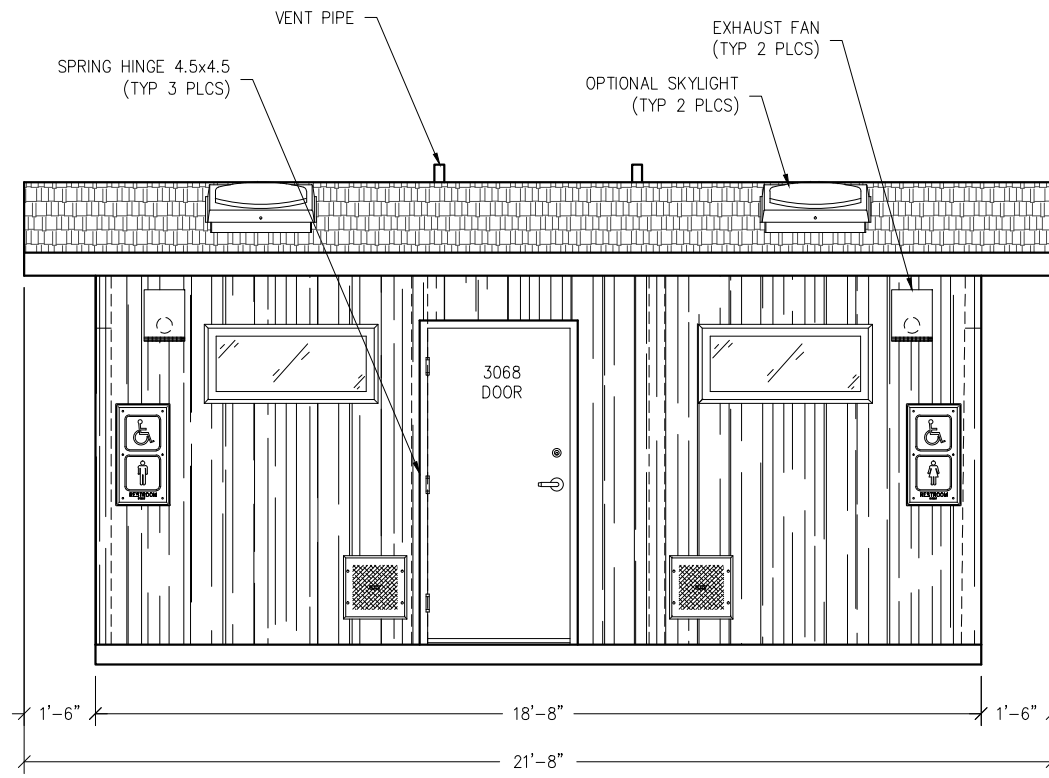
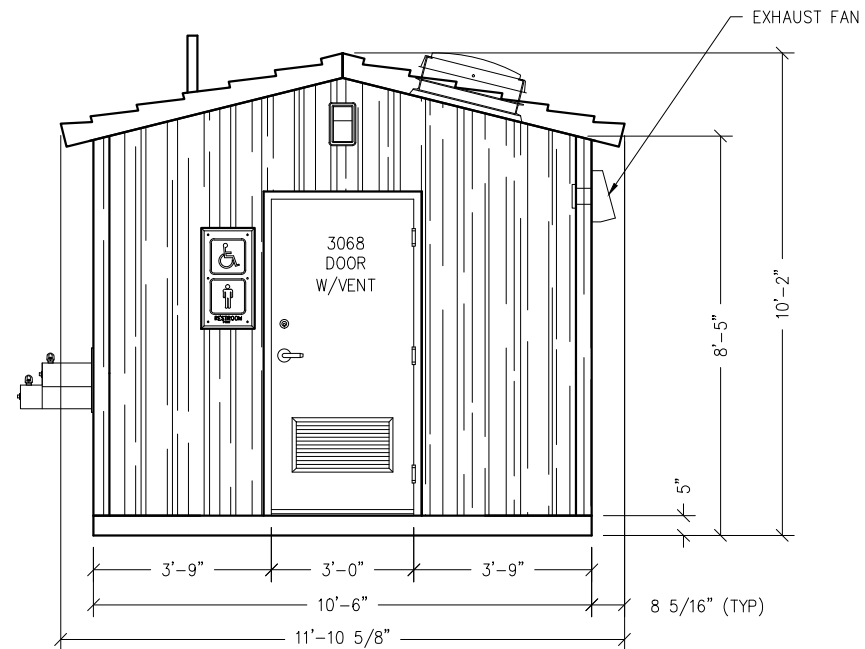


LEFT END ELEVATION



FOR REFERENCE ONLY



EMBEDDED MATERIALS	
ITEM	QTY
SI-2	6
ANCHOR NAIL 1/4x3/4	36
3068 DOOR ASSEMBLY	3
SPRING HINGE 4.5x4.5	9

CU. FT. CONC.	SQ. FT. W.W.F.
---------------	----------------

APPROXIMATE WEIGHT

3808 N. Sullivan Bldg. #7 Spokane, WA 99216



901 N. Highway 77 Hillsboro, TX 76645

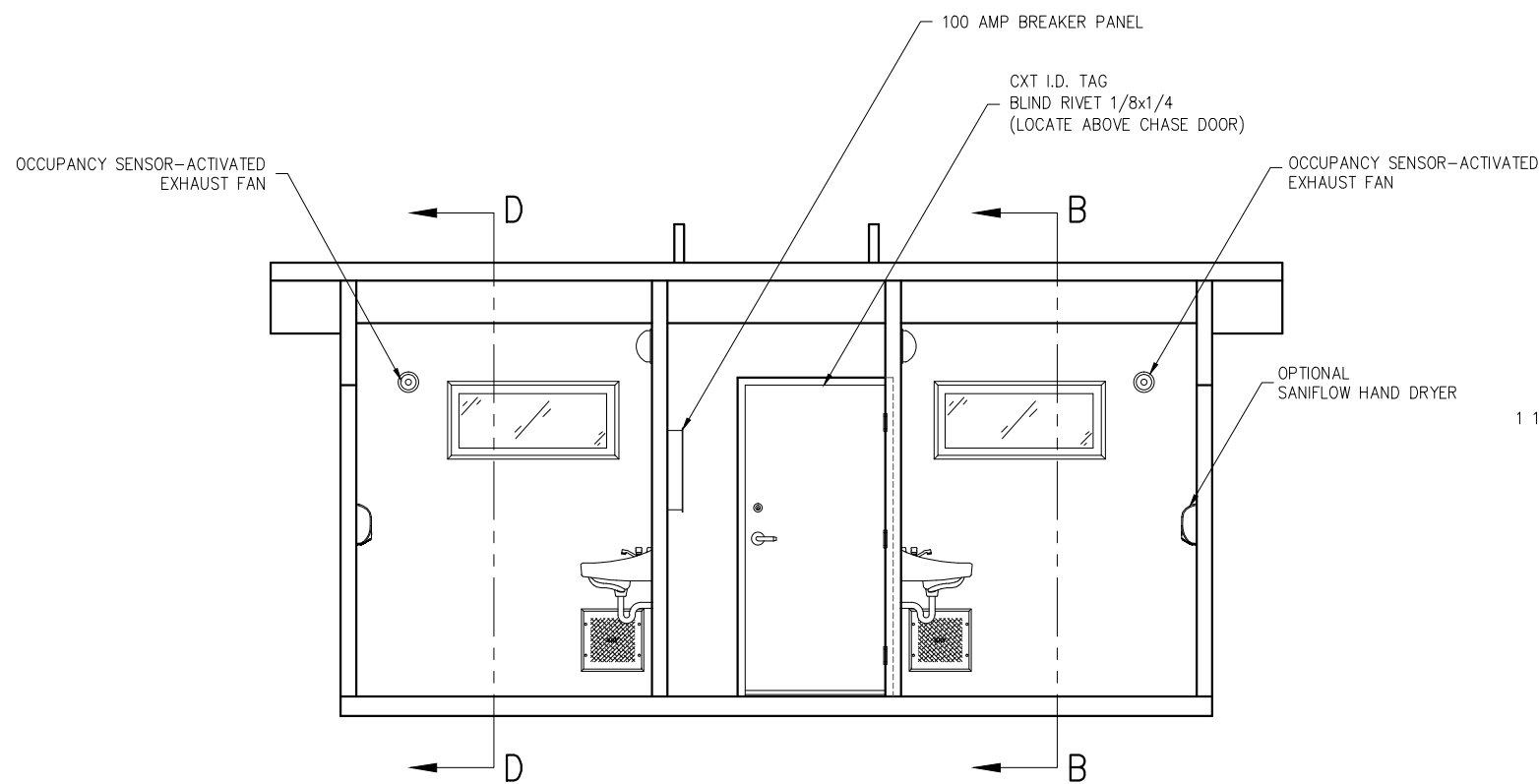
PROJECT TITLE
OZARK II
CXT STANDARD BUILDING

NOTICE
The information contained herein is proprietary and the exclusive property of CXT Incorporated. The information may only be used by the original recipient for the purpose intended. Reproduction or distribution of this information is strictly prohibited without the prior written consent of CXT Incorporated. By allowing use of this information, CXT Incorporated grants no warranty, express or implied, including a warranty of merchantability or of fitness for a particular purpose.

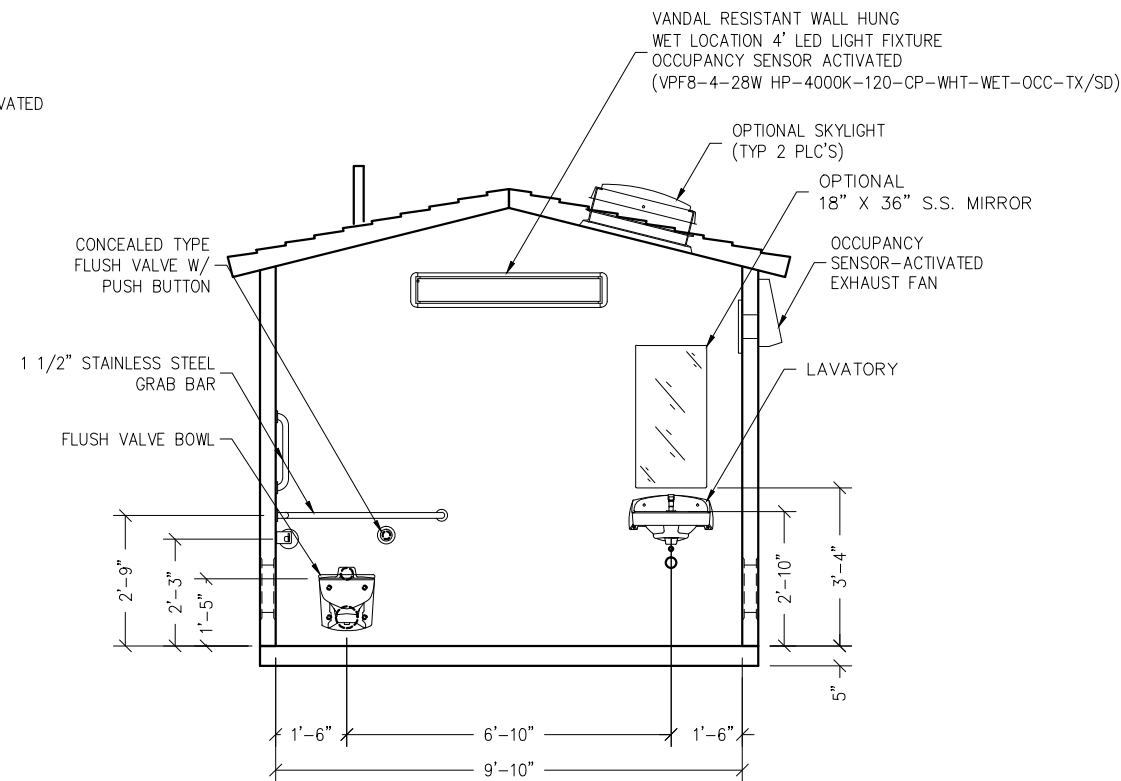
CXT Incorporated

REV.	DESCRIPTION	APPROVAL	DATE
SCALE	1/4"=1'-0"	DATE	04-30-16
DRAWN	FILE NO.	PD-OZII02	
CHECKED	PLLOT	48	

BUILDING ELEVATIONS		
DWG NO.	SHEET	REV.
OZ II-02		

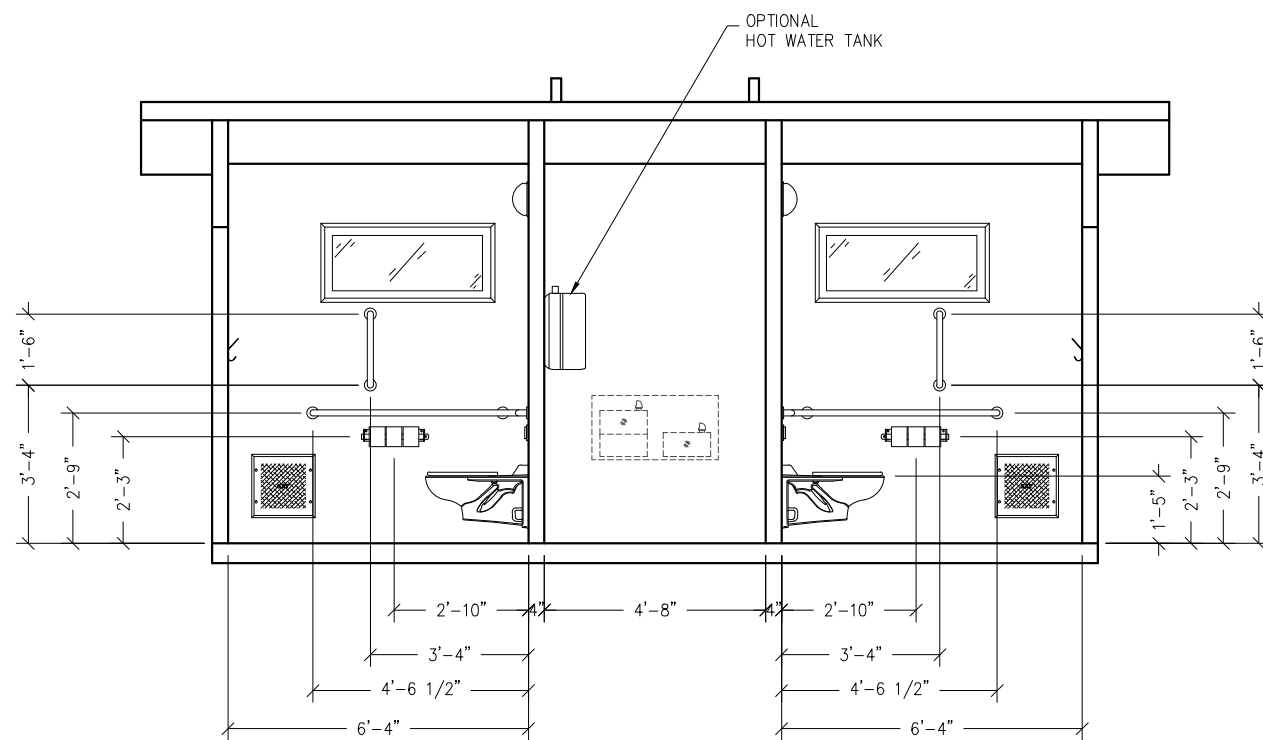


SECTION A - A

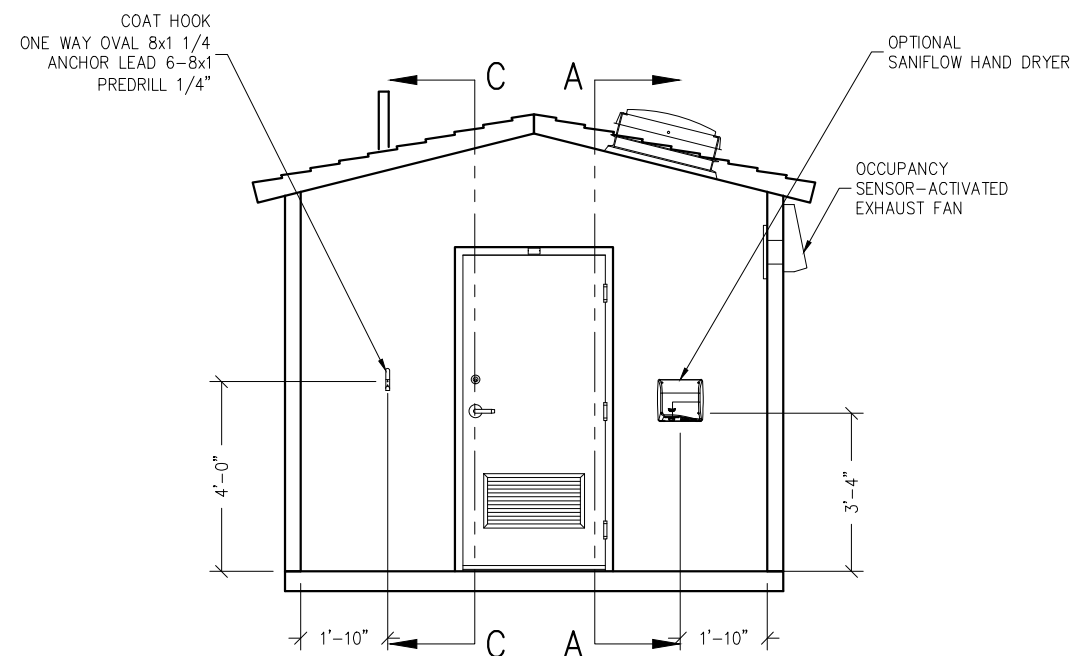


SECTION B - B

**FOR
REFERENCE
ONLY**



SECTION C - C



SECTION D - D

EMBEDDED MATERIALS	
ITEM	QTY
VERTICAL GRAB BAR	2
TP DISPENSER	2
TOILET PAPER ROLL	6
COAT HOOK	2
DOOR STOP	2
CXT I.D. TAG	1
ANCHOR NAIL 1/4x1	12
ANCHOR NAIL 1/4x3/4	24
ANCHOR NAIL 3/16x7/8	18
ONE WAY OVAL 8x1 1/4	4
ANCHOR LEAD 6-8x1	4
BLIND RIVET 1/8x1/4	2

CU. FT. CONC.	SQ. FT. W.W.F.
APPROXIMATE WEIGHT	

APPROXIMATE WEIGHT	

3808 N. Sullivan Bldg. #7 Spokane, WA 99216
CXT
Precast Products
 901 N. Highway 77 Hillsboro, TX 76645

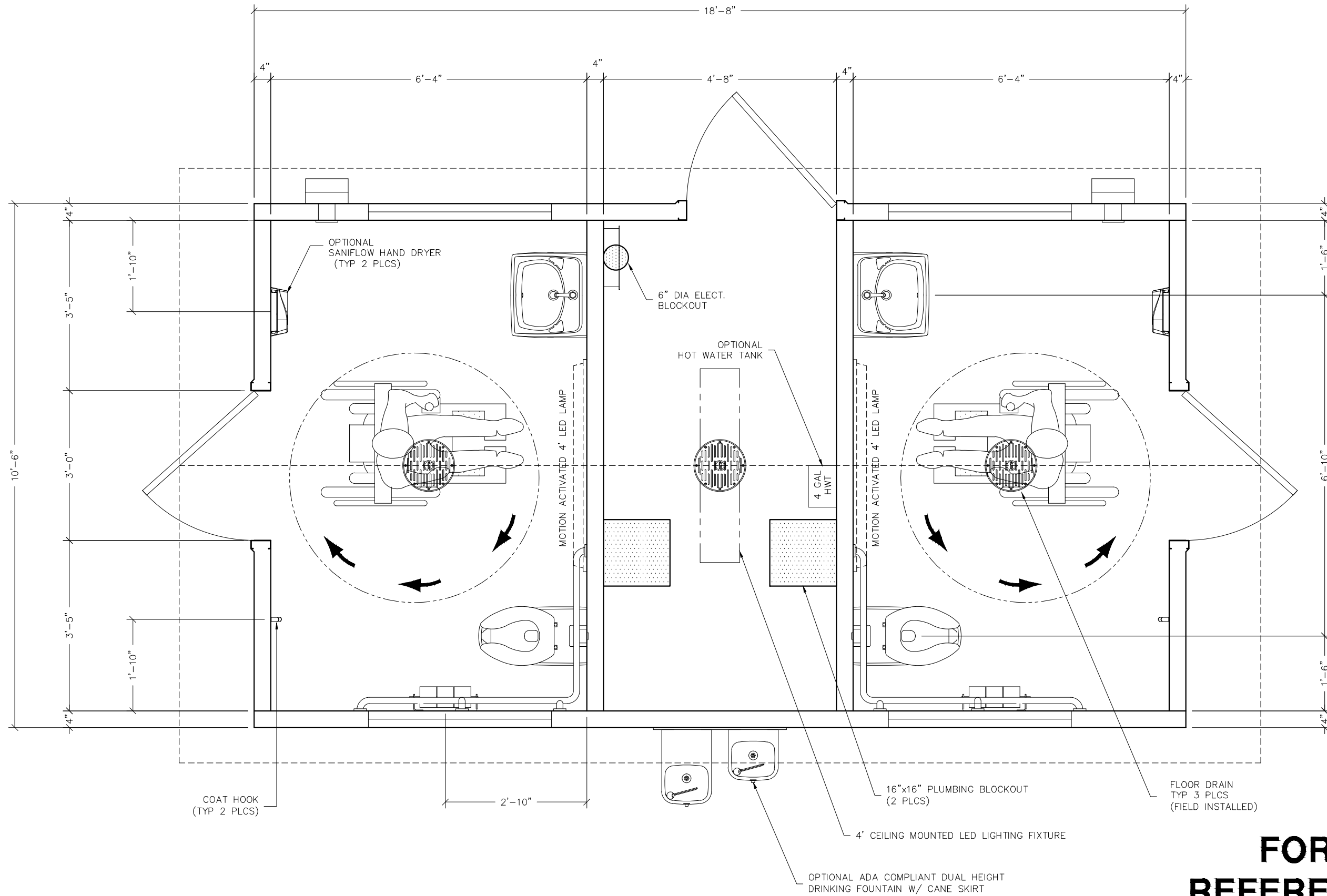
PROJECT TITLE
OZARK II
 CXT STANDARD BUILDING

NOTICE
 The information contained herein is proprietary and the exclusive property of CXT Incorporated. The information may only be used by the original recipient for the purpose intended. Reproduction or distribution of this information is strictly prohibited without the prior written consent of CXT Incorporated. By allowing use of this information, CXT Incorporated grants no warranty, express or implied, including a warranty of merchantability or of fitness for a particular purpose.

CXT Incorporated

REV.	DESCRIPTION	APPROVAL	DATE
SCALE	1/4"=1'-0"	DATE	04-30-16
DRAWN	FILE NO.		PD-OZII03
CHECKED	PLLOT		48

INTERIOR ELEVATIONS		
DWG NO.	SHEET	REV.
OZ II-03	/	



**FOR
REFERENCE
ONLY**

3808 N. Sullivan Bldg. #7 Spokane, WA 99216



CXT Precast Products

901 N. Highway 77 Hillsboro, TX 76645

PROJECT TITLE

OZARK II

CXT STANDARD BUILDING

NOTICE

The information contained herein is proprietary and the exclusive property of CXT Incorporated. The information may only be used by the original recipient for the purpose intended. Reproduction or distribution of this information is strictly prohibited without the prior written consent of CXT Incorporated. By allowing use of this information, CXT Incorporated grants no warranty, express or implied, including a warranty of merchantability or of fitness for a particular purpose.

CXT Incorporated

REV.	DESCRIPTION	APPROVAL	DATE
SCALE	1/2"=1'-0"	DATE	04-30-16
DRAWN	FILE NO.	PD-OZII04	
CHECKED	PLLOT	24	

FLOOR PLAN

DWG NO.	SHEET	REV.
OZ II-04		